

Arch Environmental Equipment, Inc.

Arch Skirt Clamp & 'Talon' Skirt Seal

INSTALLATION INSTRUCTIONS

TOOLS NEEDED:
KNIFE OR CUTTING TOOL
WELDER and TORCH
HAMMER
TAPE MEASURE OR EQUIVALENT

SHUT DOWN AND LOCKOUT CONVEYOR BEFORE PERFORMING ANY MAINTENANCE

STEP 1

Establish the location where the seal will be installed and remove existing skirt clamps and skirt rubber (if any). Check the length of the area and cut the Talon Seal to length as required. (Cutting may not be required if ordered to length from the factory). A piece of 1 x 1 x ¼ steel angle the same length as the rubber will be required to complete installation. This angle is to be provided by the end user or installer.

STEP 2

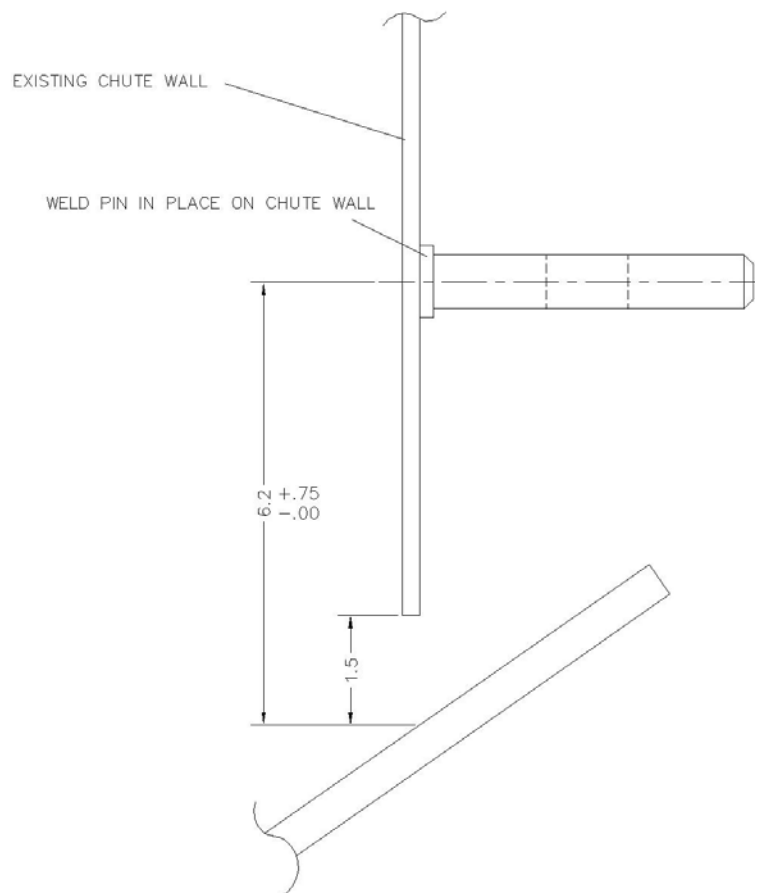
Ensure the gap between the belt and the chute wall is large enough for the Talon Seal. An opening of 1 ½" is recommended.

STEP 3

Starting at the tail of the conveyor, mark the locations of the clamp pins on the chute wall. The pins should be located approximately 6 ¼" from the belt surface. These pins should be spaced no more than 24" apart. Typically a spacing of 18" works well. Once the locations are marked, tack-weld the pins in place.

STEP 3

Test fit the clamps and 1 x 1 x ¼ angle to ensure proper alignment. Make adjustments as needed. The clamps may need to be removed in order to install the Talon Rubber.



STEP 4

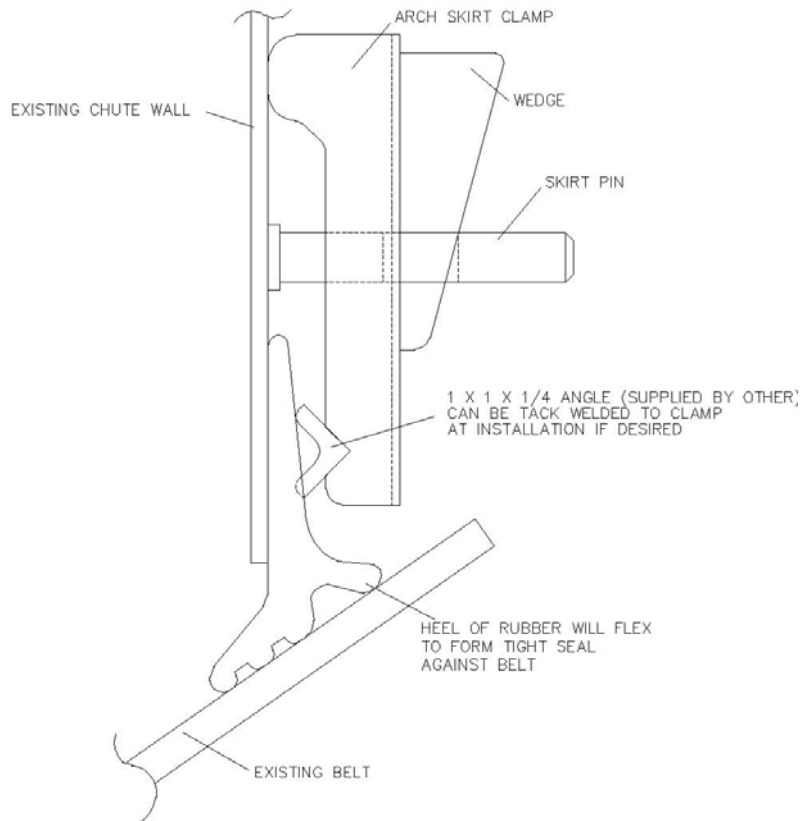
Install the rubber on the conveyor ensuring the grooved portion of the seal is against the belt. If previously removed, replace the skirt clamps and ensure the 1 x 1 x 1/4" angle will make full contact with the upper portion of the Talon Seal.

STEP 5

To secure the clamps in place, install the wedge into the slot of the skirt pin. Ensure the wedge is installed properly as to apply pressure to clamp with driven in place. Using a hammer, hit the top of the wedge; driving it into the slot on the pin until the rubber is tightly secured by the clamping system.

STEP 6

Test run the conveyor. Inspect the installation for proper sealing and ensure the mounting arrangement will not allow the seal to become dislodged while conveyor is in normal operation.



P.O. Box 1760 5929 Benton Road Paducah, KY 42002-1760
1-800-553-4567 / 270-898-6821 Fax: 1-800-230-9462 / 270-898-8061
<http://www.aeec.com>