

Who is Arch Environmental?

*manufacturer and worldwide distributor of preferred bulk conveyor components since 1975

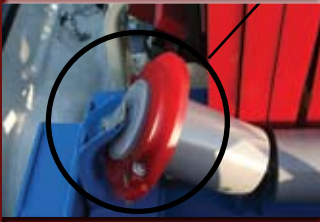
Mechanical Division

Belt Cleaners • Belt Alignment • Sealing Systems • Dust Control Systems • Impact/Slider Systems

Electrical Division

Belt Scales • Metal Detectors • Pull Cord Switches • Belt Protection Devices • Conveyor Control Systems

*facilities include a fabrication shop, a CNC machine shop, and state-of-the-art urethane production



Wyatt Alignment Disks® can easily be installed on carry and return idlers.

Helps guard against belt misalignment on lightweight belts caused by wind gusts, off-centered surge loading, etc.

Eliminates belt damage and spillage caused by misalignment.

Available for 4", 5", and 6" roll diameters.

Available for 9" OD troughing idlers.

Available for 9" and 12" OD return idlers.

Effectively contains belts up to 42" wide and 3/8" thick.

Maintenance-free solution to potentially expensive problem.

WYATT ALIGNMENT DISKS®

EZ Installation ✓
Low Maintenance ✓
Fast Delivery ✓
Corrosion Resistant ✓

Highly durable and non-abrasive polyurethane keeps your belts on track without premature wear-and-tear.

Provides a barrier at the end of idler rolls to force belt centering.



(Conveying Confidence)

A®
ARCH
ENVIRONMENTAL
EQUIPMENT, INC.

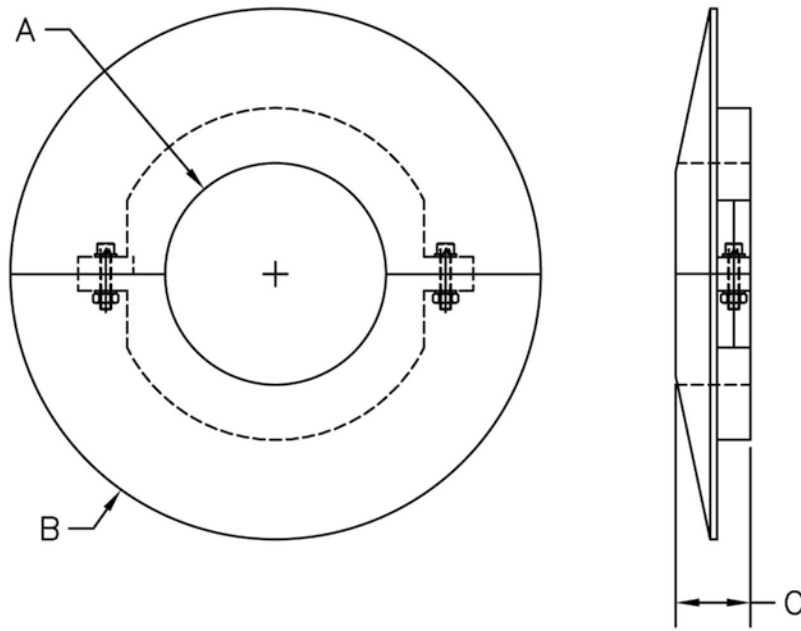
CONVEYOR EFFICIENCY SPECIALISTS

800-553-4567

www.archenv.com



WYATT ALIGNMENT DISKS®



IDLER O.D.	WYATT DISKS (BELT ALIGNER)			
	ALL DIMENSIONS IN INCHES (METRIC AVAILABLE UPON REQUEST)			
	A	B	C	ORDER #
4 1/2	4 1/2	9	1 11/16	MDK4.50900
4 1/2	4 1/2	12	1 11/16	MDK4.51200
4	4	9	1 11/16	MDK0040900
4	4	12	1 11/16	MDK0041200
5	5	9	1 11/16	MDK0050900
5	5	12	1 11/16	MDK0051200
6	6	9	1 9/16	MDK0060900
6	6	12	1 9/16	MDK0061200

THE FOLLOWING OPTIONS ARE AVAILABLE:
ADD THE SELECTED OPTION TO THE ORDER #

-WH : WHITE DISK

-SS : STAINLESS FASTENERS



Covered under one or more of the following patents:
4,202,437;4,231,471;4,436,446;4,489,823;4,533,036;4,779,716;4,877,125;
4,989,727;5,149,305;5,222,588;5,222,589;5,219,063;5,350,053;5,725,083;
other patents pending

Note: If available, prices vary with options.