

*Who is Arch Environmental?*

\*manufacturer and worldwide distributor of preferred bulk conveyor components since 1975

**Mechanical Division**

*Belt Cleaners • Belt Alignment • Sealing Systems • Dust Control Systems • Impact/Slider Systems*

**Electrical Division**

*Belt Scales • Metal Detectors • Pull Cord Switches • Belt Protection Devices • Conveyor Control Systems*

\*facilities include a fabrication shop, a CNC machine shop, and state-of-the-art urethane production



The *Tri-Return® Training Idler* eliminates belt and structure damage caused by misalignment.

Automatically adjusts misaligned belts by keeping belts aligned.

Minimizes safety and health hazards associated with unstable material handling.

The *Tri-Return® Training Idler* easily replaces your existing return idlers.

Supports your belt with 6 bearings, instead of the normal 2, on a standard roll.

Easy to install and virtually maintenance-free.

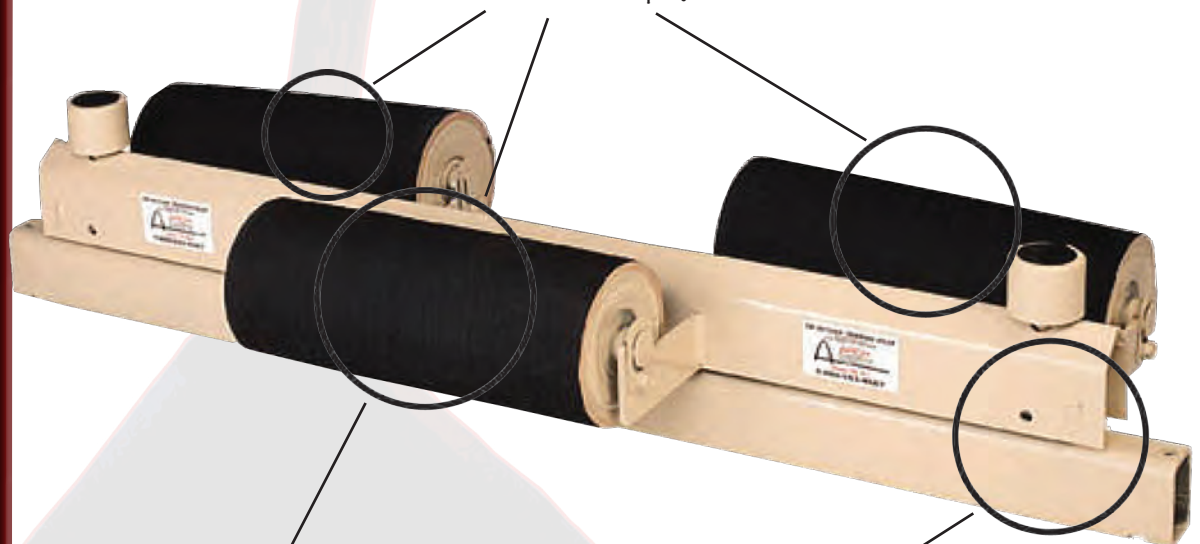
Optional rubber and ceramic disk rolls are available.

A super-duty option is available.

# ARCH TRI-RETURN® TRAINING IDLER

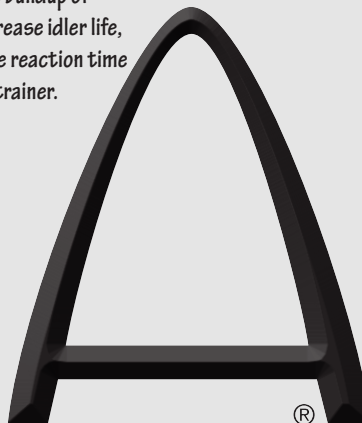
- |                        |   |
|------------------------|---|
| EZ Installation        | ✓ |
| Low Maintenance        | ✓ |
| Retrofitting Available | ✓ |
| Fast Delivery          | ✓ |
| Heavy-Duty             | ✓ |
| Worksheet Req'd        | ✓ |

Patented concave design of 3 rolls on a center pivot (2 outside rolls descending and center roll mounted horizontally) automatically corrects for misalignment and conforms to the full cup of your belt.



Standard rubber-coated rolls reduce the buildup of carryback, increase idler life, and improve the reaction time of the trainer.

Steel frame withstands the most grueling applications.



*(Conveying Confidence)*

**ARCH**  
**ENVIRONMENTAL**  
**EQUIPMENT, INC.**

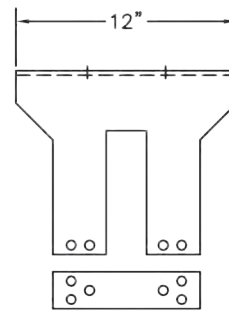
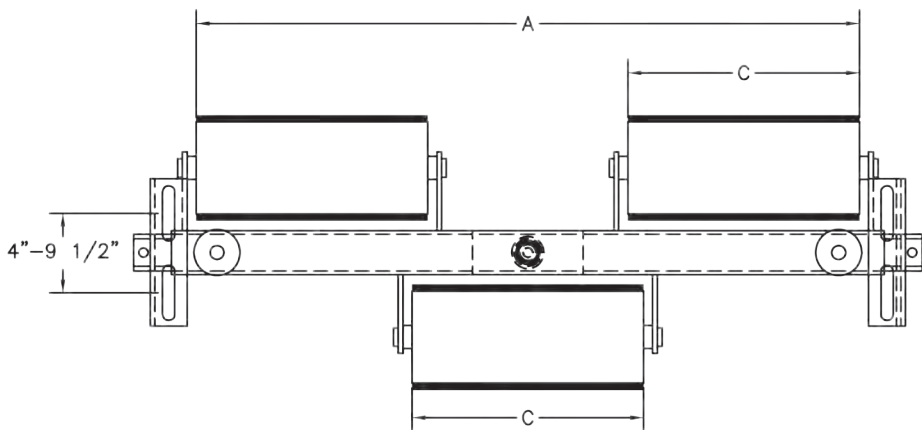
CONVEYOR EFFICIENCY SPECIALISTS

800-553-4567

www.archenv.com

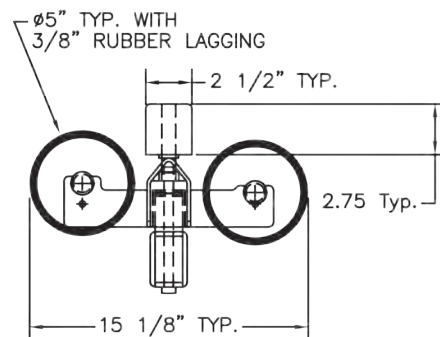
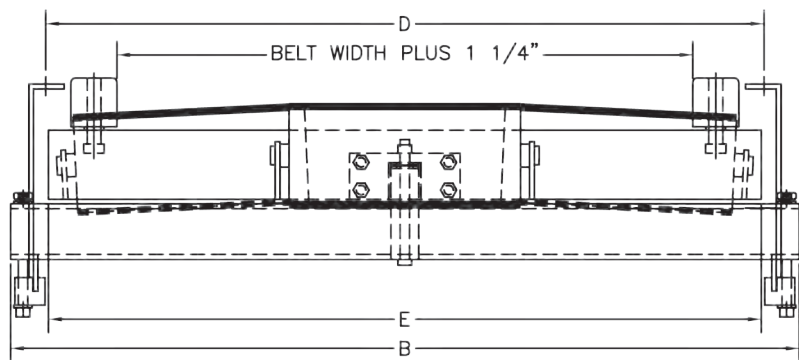


# ARCH TRI-RETURN® TRAINING IDLER



1" ADJUSTABLE DROP HANGER FOR DROPS HEIGHTS OF 4"-5"

SPECIAL BRACKETS CAN BE MADE TO ACCOMMODATE ANY APPLICATION



SIDE VIEW SHOWN OF SA MODEL WITH DROP HANGER REMOVED

BELT WIDTH	TRI-RETURN (SELF-ALIGNING) BELT TRAINING IDLER					
	ALL DIMENSIONS IN INCHES (METRIC AVAILABLE UPON REQUEST)					
	A	B	C	D	E	PART NUMBER
24	30	37 1/16	10 9/16	33	32 11/16	MTR024024SARC500000000
30	36	43 1/16	12 9/16	39	38 11/16	MTR030030SARC500000000
36	42	49 1/16	14 9/16	45	44 11/16	MTR036036SARC500000000
42	48	55 1/16	16 9/16	51	50 11/16	MTR042042SARC500000000
48	54	61 1/16	18 9/16	57	56 11/16	MTR048048SARC500000000
54	60	67 1/16	20 9/16	63	62 11/16	MTR054054OSRC500000000
60	66	73 1/16	22 9/16	69	68 11/16	MTR060060OSRC500000000
66	72	79 1/16	24 9/16	75	74 11/16	MTR066066OSRC500000000
72	78	85 1/16	26 9/16	81	80 11/16	MTR072072OSzRC500000000

### OPTIONS

- CERAMIC DISK ROLLS (MADE TO ORDER ONLY)
- HEAVY DUTY (CONSULT FACTORY FOR DIMENSIONS)
- 4" AND 6" LONG GUIDE ROLLERS
- OUTER SUPPORT ROLLER
- VARIOUS CEMA RATINGS & ROLL DIAMETERS



Covered under one or more of the following patents:  
 4,202,437; 4,231,471; 4,436,446; 4,489,823; 4,533,036; 4,779,716; 4,877,125;  
 4,989,727; 5,149,305; 5,222,588; 5,222,589; 5,219,063; 5,350,053; 5,725,083;  
 other patents pending

Note: If available, prices vary with options.