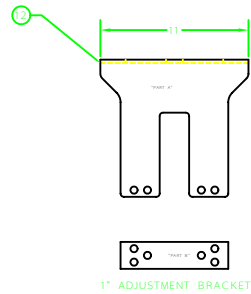
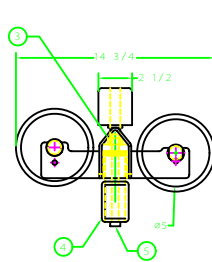
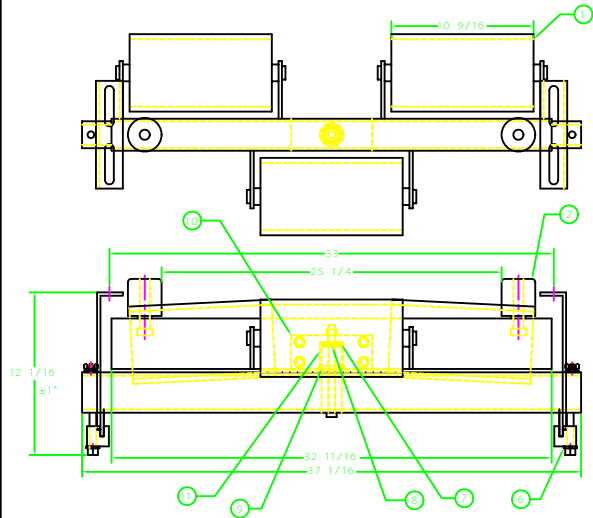


REVISIONS		
A		IMPROVED GUIDER LENGTH
B		REVISED BRACKET CLIPS
C	022702	ADDED PARTS LIST

ITEM	QTY	DESCRIPTION	PART NUMBER
1	3	ROLLER ASSEMBLY	MTPSR024100
2	2	GUIDER ASSEMBLY	MTPG0001000
3	1	TOP UNIT	TT2AMCA-SA
4	1	BOTTOM UNIT	BT124ST
5	1	PIVOT BOLT	MTPPB000N000
6	2	BRACKET MOUNTING CLIP	S118M
7	1	THRUST BEARING	MTPBG000TB00
8	2	THRUST WASHER	TWD-1423
9	1	SEAL	MTPSS000N000
10	1	PIVOT BLOCK	MTPPB000N000
11	1	BRONZE BUSHING	MTPBB000N000
12	2	STANDARD BRACKET	MTPBR0000ST



FILENAME = BTRT24R

THIS DRAWING IS THE SOLE PROPERTY OF ARCH ENVIRONMENTAL EQUIPMENT, INC. AND MUST BE USED ONLY IN CONNECTION TO WORK ASSIGNED BY ARCH ENVIRONMENTAL EQUIPMENT, INC. ALL RIGHTS OF DESIGN OR INVENTION ARE RESERVED.

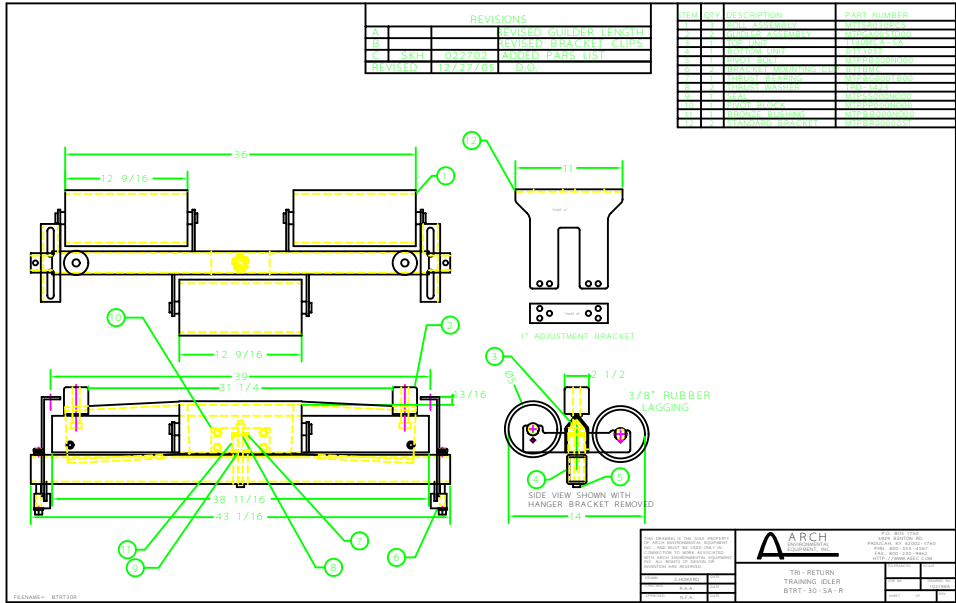


P.O. BOX 1350
1920 BENTON RD.
RADCLIFF, KY 42202-1760
PHN: 800-553-4567
FAX: 800-230-3462
HTTP://WWW.AEEC.COM

DESIGN	S. HOWARD	DT
DRAWN	S.A.A.	11
APPROVED	J.F.A.	

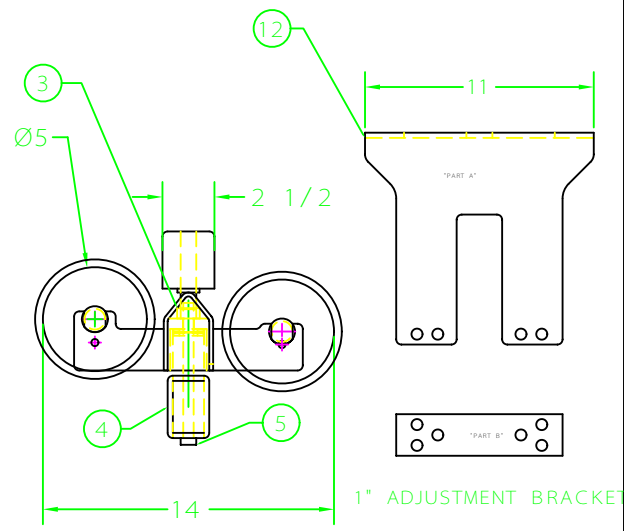
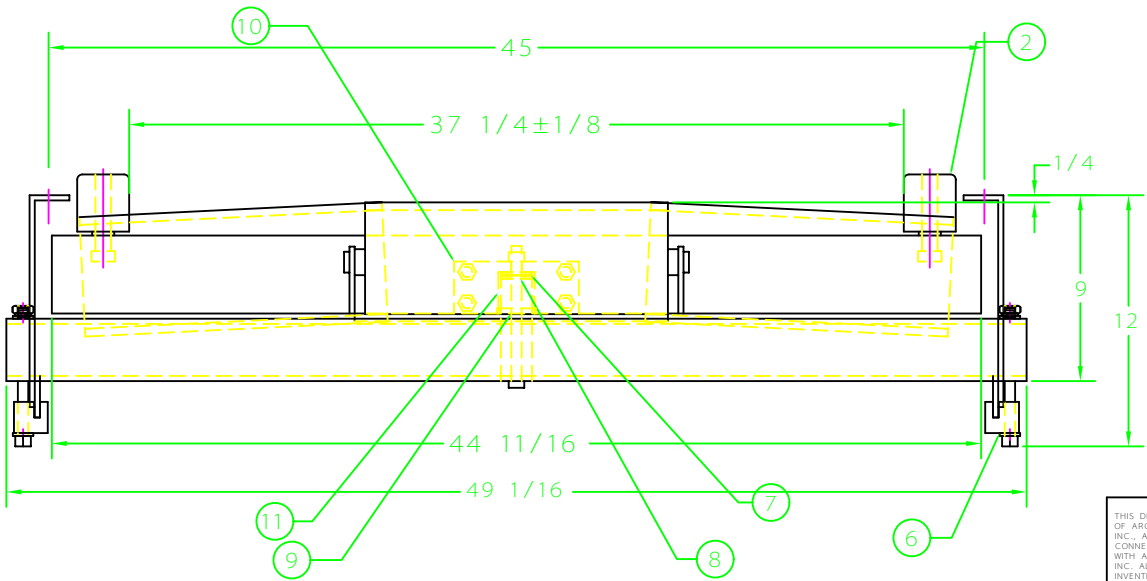
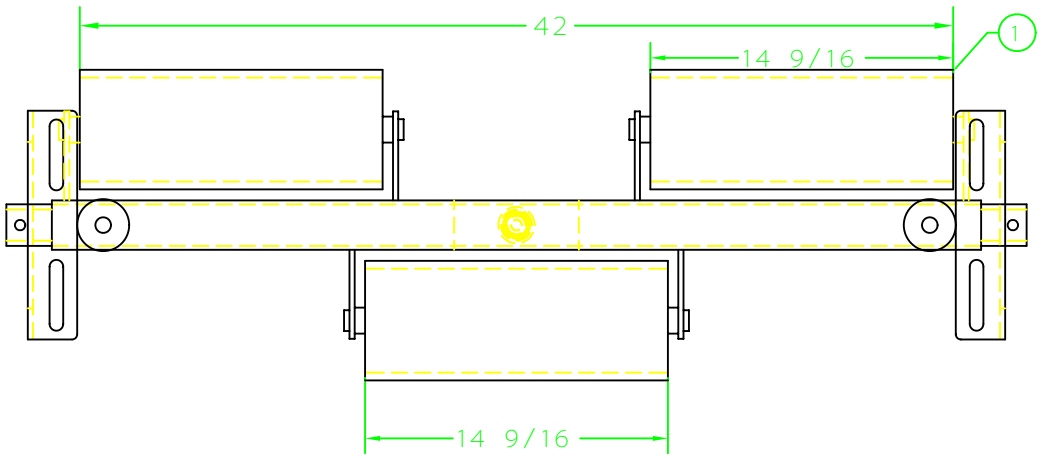
TRI - RETURN
SELF ALIGNING
BTRT - 24 - SA - R

REV. NO.	04/10/01
DATE	02



REVISIONS			
A			REVISED GUIDLER LENGTH
B			REVISED BRACKET CLIPS
C	SKH	022702	ADDED PARS LIST

ITEM	QTY.	DESCRIPTION	PART NUMBER
1	3	ROLL ASSEMBLY	MTTSR036RC5
2	2	GUIDLER ASSEMBLY	MTPGA00STD00
3	1	TOP UNIT	TT36MCA-SA
4	1	BOTTOM UNIT	BT36ST
5	1	PIVOT BOLT	MTPPB000N000
6	2	BRACKET MOUNTING CLIP	BTTBMC
7	1	THRUST BEARING	MTPBG000TB00
8	2	THRUST WASHER	TRD-1423
9	1	SEAL	MTPSS000N000
10	1	PIVOT BLOCK	MTPPP000N000
11	1	BRONZE BUSHING	MTPBB000N000
12	2	STANDARD BRACKET	MTPBR00000ST



A- REVISED BRACKET

THIS DRAWING IS THE SOLE PROPERTY OF ARCH ENVIRONMENTAL EQUIPMENT INC. AND MUST BE USED ONLY IN CONNECTION TO WORK ASSOCIATED WITH ARCH ENVIRONMENTAL EQUIPMENT INC. ALL RIGHTS OF DESIGN OR INVENTION ARE RESERVED.

DRAWN:	S.HOWARD	DATE:	
CHECKED:	R.A.A.	DATE:	
APPROVED:	N.F.A.	DATE:	

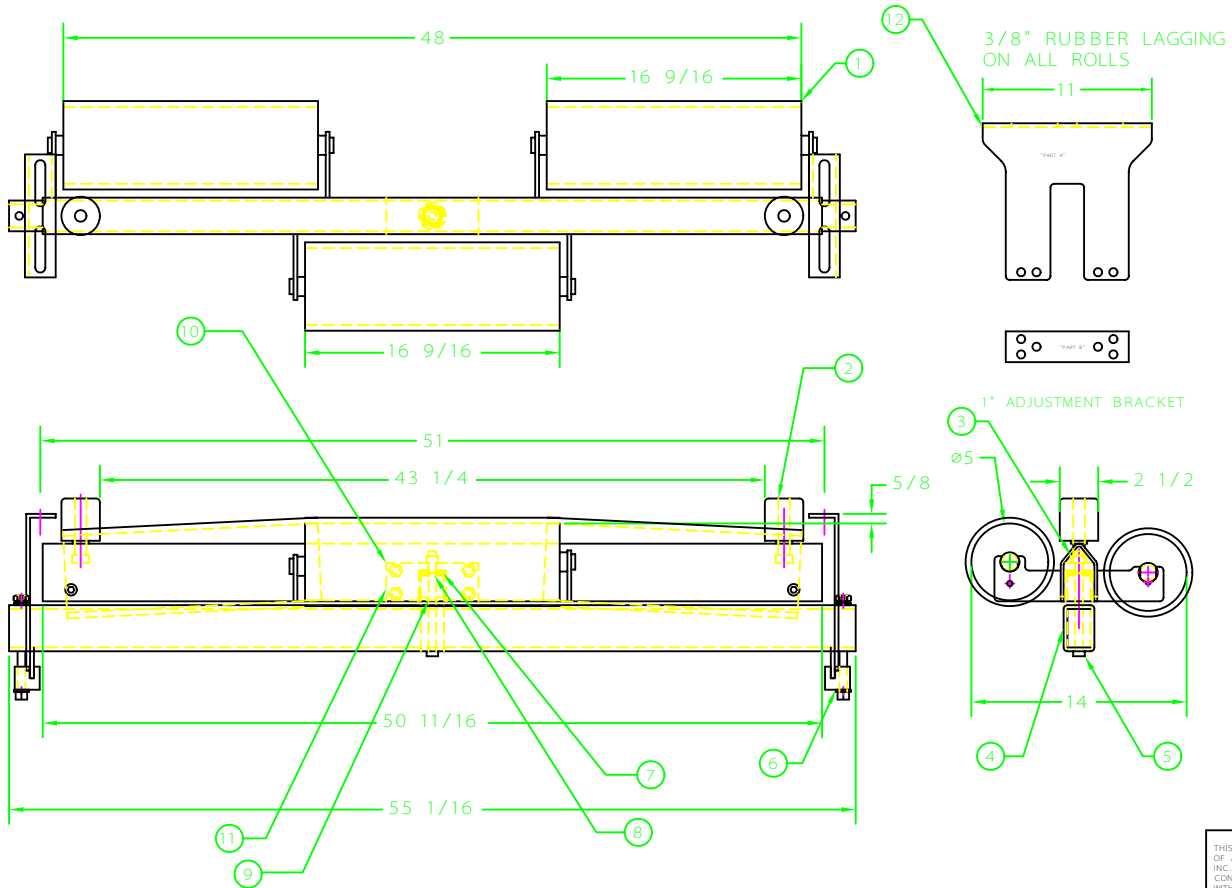
ARCH ENVIRONMENTAL EQUIPMENT, INC.

P.O. BOX 1760
5909 BENTON RD.
PADUCAH, KY 42002-1760
PHN: 800-533-4567
FAX: 800-230-9462
HTTP://WWW.AECC.COM

<p>TRI - RETURN TRAINING IDLER BTRT - 36 - SA - R</p>		<p>TOLERANCES SCALE</p>
JOB NO.	DRAWING NO.	
1107978	1107978	
SHEET	OF	REV
		A

REVISIONS			
A			REVISED GUIDLER LENGTH
B			REVISED BRACKET CLIPS
C	SKH	022702	ADDED PARS LIST
REVISED	12/27/05		D.O.

ITEM	QTY	DESCRIPTION	PART NUMBER
1	2	ROLL ASSEMBLY	M1SR042RCS
2	2	GUIDLER ASSEMBLY	M1PGA00STDD00
3	1	TOP UNIL	TT42MCA-SA
4	1	BOTTOM UNIT	BT1425T
5	1	PIVOT BOLT	M1PPB000N000
6	2	BRACKET MOUNTING CLIP	BTTBMC
7	1	THRUST BEARING	M1PRG000TB00
8	2	THRUST WASHER	TRD-1423
9	1	SEAL	M1PSS000N000
10	1	PIVOT BLOCK	M1PPB000N000
11	1	BRONZE BUSHING	M1PBB000N000
12	2	STANDARD BRACKET	M1PBR000005T



THIS DRAWING IS THE SOLE PROPERTY OF ARCH ENVIRONMENTAL EQUIPMENT INC. AND MUST BE USED ONLY IN CONNECTION TO WORK ASSOCIATED WITH ARCH ENVIRONMENTAL EQUIPMENT INC. ALL RIGHTS OF DESIGN OR INVENTION ARE RESERVED.

DRAWN:	S.HOWARD	DATE:	
CHECKED:	B.A.A.	DATE:	
APPROVED:	N.F.A.	DATE:	

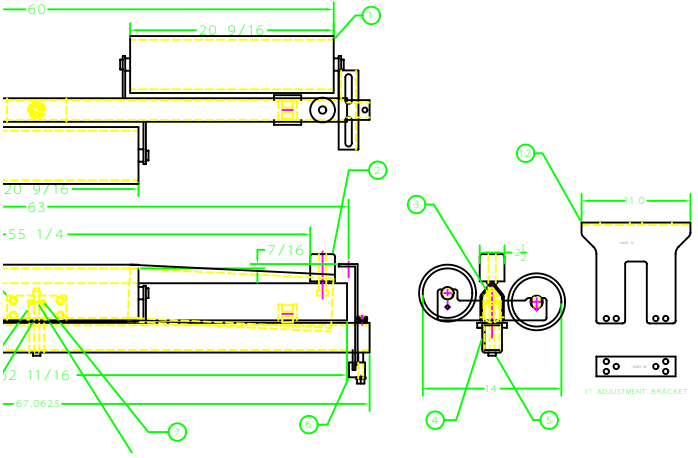
ARCH
ENVIRONMENTAL
EQUIPMENT, INC.

P.O. BOX 1760
5929 BENTON RD.
PADUCAH, KY 42002-1760
PHN: 800-553-4567
FAX: 800-230-9462
HTTP://WWW.AEEC.COM

TRI - RETURN
TRAINING IDLER
BRT - 42 - SA - R

TOLERANCES:	SCALE:
JOB NO.	DRAWING NO.
	102198B
SHEET	OF
	REV. A

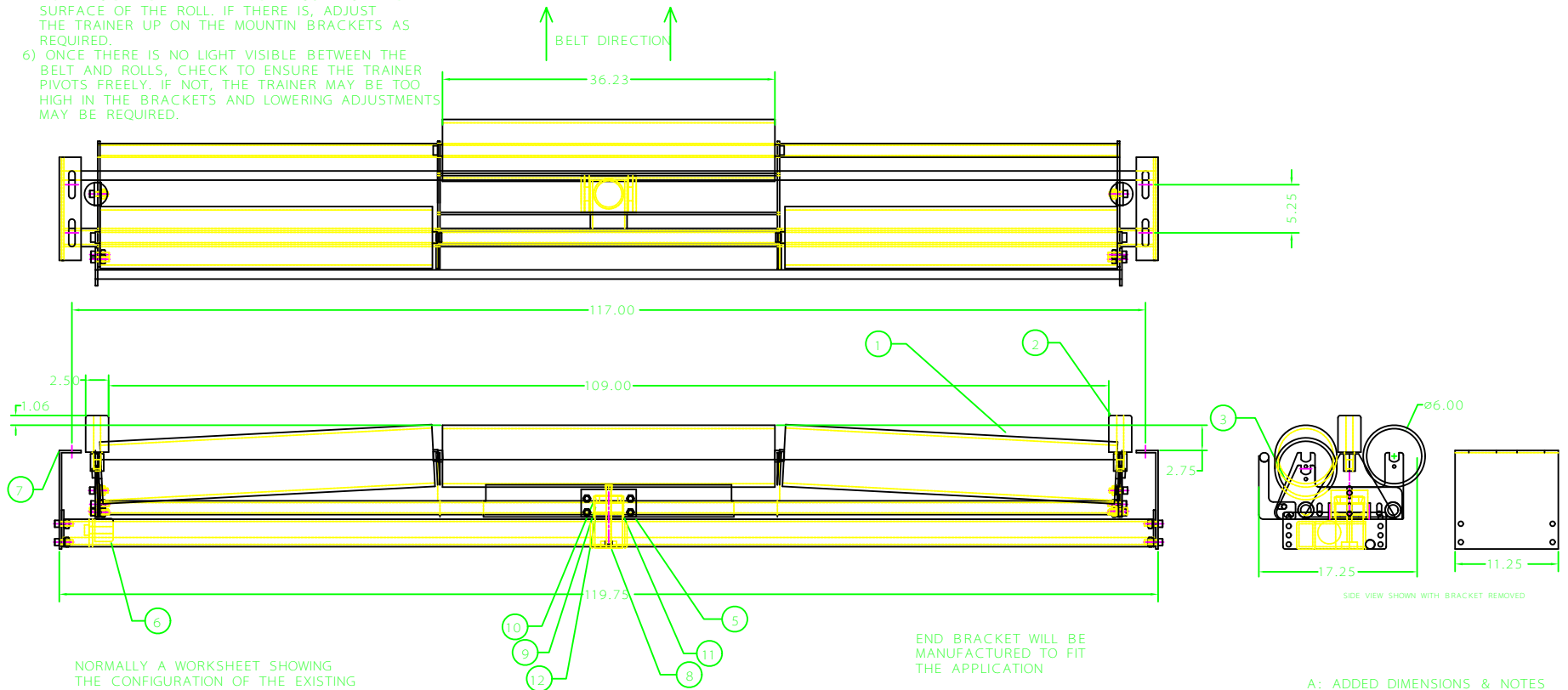
REVISIONS		ITEM	QTY	DESCRIPTION	PART NUMBER
A		1	2	ROLL ASSEMBLY	TRR-52-1R
B		1	2	GUIDER ASSEMBLY	GTBS-52-A
C	SKH 022702	3	1	TOP UNIT	TT54M-A-SA
		4	1	BOTTOM UNIT	BT1646TOS
		5	1	PIVOT BOLT	BT1PBB
		6	2	BRACKET MOUNTING CLIP	BT1BM
		7	1	THRUST BEARING	NIA-1423
		8	2	THRUST WASHER	TD-1423
		9	1	SEAL	14R07
		10	1	PIVOT BLOCK	TRR-5A
		11	1	BRONZE BUSHING	SS-4856-28
		12	2	STANDARD BRACKET	STP-ADJ
		13	2	OUTSIDE SUPPORT ROLLER	MTFUR000000



TO MOUNT TRAINER...

- 1) MOUNT BRACKETS TO STRUCTURE SO THAT BRACKETS HANG LOOSE
- 2) LIFT TRAINER INTO PLACE (HOIST MAY BE REQUIRED) AND SECURE END PLATE ON ONE SIDE OF TRAINER TO CORRESPONDING BRACKET. AT THIS POINT THERE THE ACTUAL HEIGHT IS NOT A CONCERN.
- 3) WITH TRAINER SECURED TO OPPOSITE BRACKET LIFT OTHER END AND SECURE TO REMAINING BRACKET.
- 4) TIGHTEN BOLTS THAT SECURE BRACKETS TO THE STRUCTURE
- 5) NOW THAT THE TRAINER IS SECURED IN PLACE, VISUALLY CHECK THE RELATIONSHIP OF THE BELT TO THE TRAINER ROLLS. ENSURE THERE IS NO LIGHT VISIBLE BETWEEN THE BELT SURFACE AND SURFACE OF THE ROLL. IF THERE IS, ADJUST THE TRAINER UP ON THE MOUNTING BRACKETS AS REQUIRED.
- 6) ONCE THERE IS NO LIGHT VISIBLE BETWEEN THE BELT AND ROLLS, CHECK TO ENSURE THE TRAINER PIVOTS FREELY. IF NOT, THE TRAINER MAY BE TOO HIGH IN THE BRACKETS AND LOWERING ADJUSTMENTS MAY BE REQUIRED.

PART	PART NUMBER	QTY.	DESCRIPTION
1	TRR-108-HD-R-E6	3	ROLL
2	BTBS-SA-4-A	2	GUIDLER
3	TT108TUA-HD	1	TOP UNIT
4	BTT108BUA-HD	1	BOTTOM UNIT
5	RAO49	1	PIVOT BLOCK
6	BTBS-SA-O	2	SUPPORT ROLLER
7	HD-GBRK	2	GUIDLER BRACKET
8	BTT-PBB	1	PIVOT BOLT
9	LM104911	1	CUP
10	LM104949	1	CONE
11	SS-96104-48	5	BUSHING
12	01-114	1	O-RING



NORMALLY A WORKSHEET SHOWING THE CONFIGURATION OF THE EXISTING STRUCTURE AND RETURN ROLLS IS RECOMMENDED SO THAT BRACKETS CAN BE FABRICATED TO FIT PRIOR TO SHIPMENT

END BRACKET WILL BE MANUFACTURED TO FIT THE APPLICATION

A: ADDED DIMENSIONS & NOTES

THIS DRAWING IS THE SOLE PROPERTY OF ARCH ENVIRONMENTAL EQUIPMENT INC., AND MUST BE USED ONLY IN CONNECTION TO WORK ASSOCIATED WITH ARCH ENVIRONMENTAL EQUIPMENT INC. ALL RIGHTS OF DESIGN OR INVENTION ARE RESERVED.

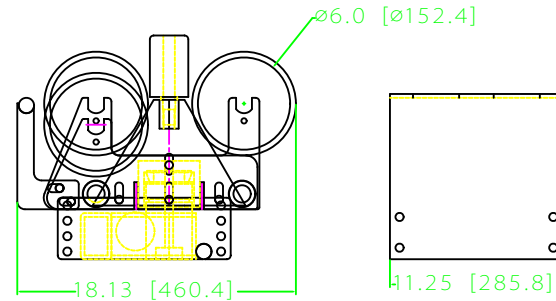
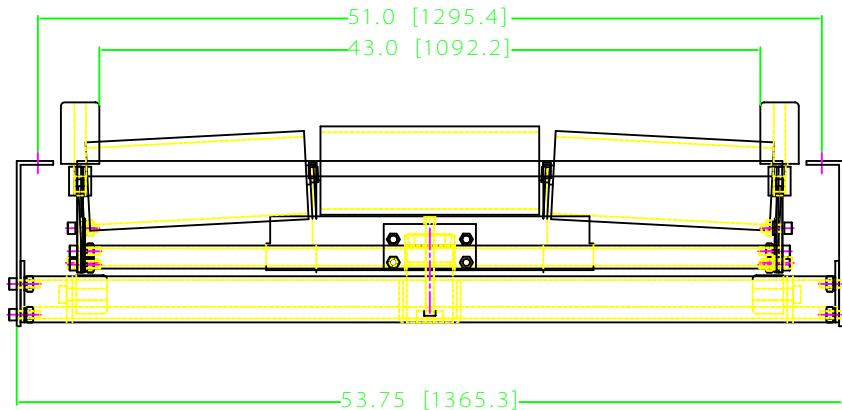
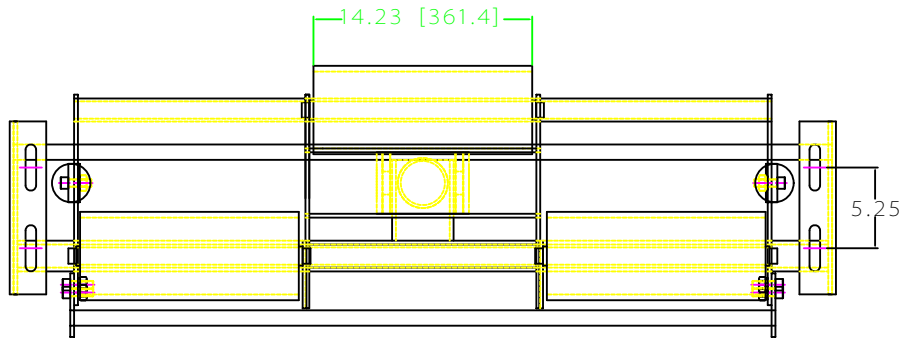


P.O. BOX 1760
5929 BENTON RD.
PADUCAH, KY 42002-1760
PHN: 800-553-4567
FAX: 800-230-9462
HTTP://WWW.AEEC.COM

DRAWN:	S.HOWARD	DATE:	
CHECKED:	R.A.A.	DATE:	
APPROVED:	N.F.A.	DATE:	

HEAVY DUTY
TRI-RETURN TRAINING IDLER
PN. # BTRT-108-HD-RE6

TOLERANCES	SCALE
DRAWING NO. 041504AC	REV. A



PART	PART NUMBER	QTY.	DESCRIPTION
1	MTTHD042RE6	3	ROLL
2	MTPGA04GDL00	2	GUIDLER
3	TT42TUA - HD	1	TOP UNIT
4	BTT42BUA	1	BOTTOM UNIT
5	MTPPP100NO00	1	PIVOT BLOCK
6	MTPGR00SHT00	2	SUPPORT ROLLER
7	HD - GBRK	2	GUIDLER BRACKET
8	MTPPB000NO00	1	PIVOT BOLT
9	LM104911	1	CUP
10	LM104949	1	CONE
11	MTPBB100NO00	.5	BUSHING
12	01 - 334	1	O - RING

SIDE VIEW SHOWN WITH BRACKET REMOVED

MTT042042HDR3600000000

THIS DRAWING IS THE SOLE PROPERTY OF ARCH ENVIRONMENTAL EQUIPMENT INC., AND MUST BE USED ONLY IN CONNECTION TO WORK ASSOCIATED WITH ARCH ENVIRONMENTAL EQUIPMENT INC. ALL RIGHTS OF DESIGN OR INVENTION ARE RESERVED.



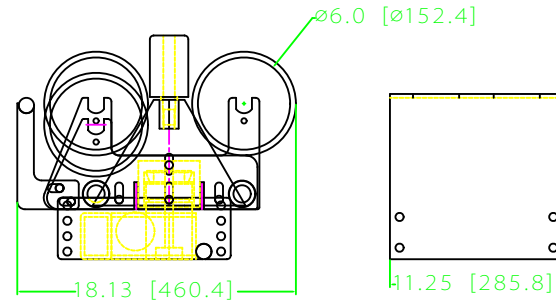
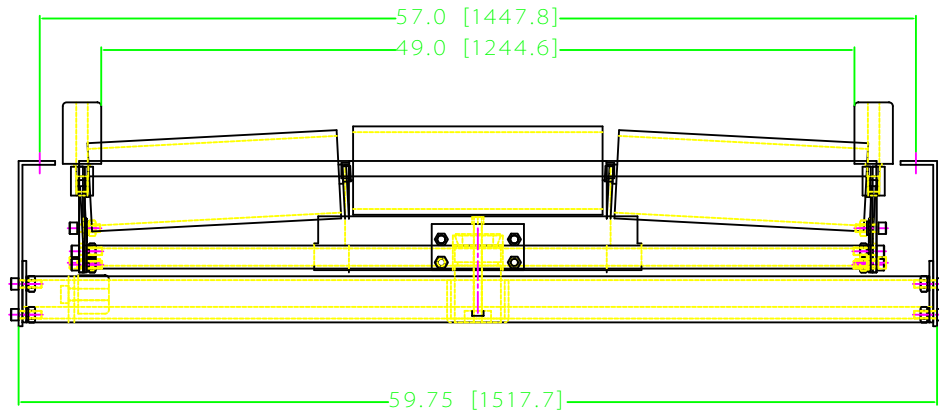
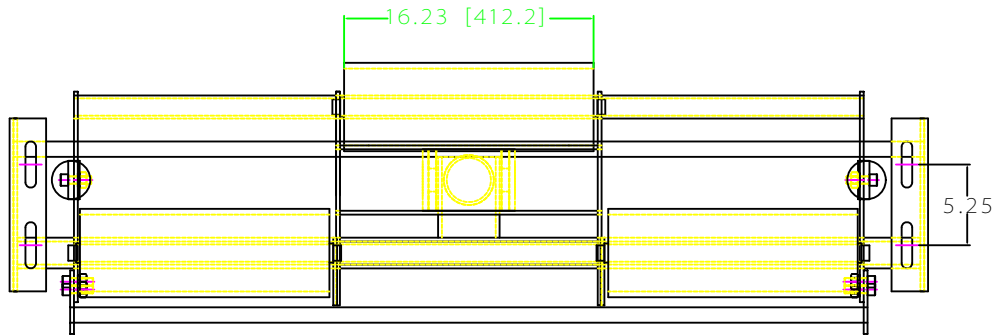
P.O. BOX 1760
5929 BENTON RD.
PADUCAH, KY 40302-1760
PH: 800-553-4567
FAX: 800-230-9462
HTTP://WWW.AECC.COM

DRAWN:	S. HOWARD	DATE:	
CHECKED:	R.A.A.	DATE:	
APPROVED:	N.F.A.	DATE:	

HEAVY DUTY
TRI - RETURN TRAINING IDLER
PN. # BTRT - 42 - SA - HD - R - E6

TOLERANCES	SCALE
JOB NO.	DRAWING NO.
SHEET	OF
REV.	

PART	PART NUMBER	QTY.	DESCRIPTION
1	MTTHD048RE6	3	ROLL
2	MTPGA04GDL00	2	GUIDLER
3	TT48TUA - HD	1	TOP UNIT
4	BTT48BUA	1	BOTTOM UNIT
5	MTPPP100NO00	1	PIVOT BLOCK
6	MTPGR00SHT00	2	SUPPORT ROLLER
7	HD - GBRK	2	GUIDLER BRACKET
8	MTPPB000NO00	1	PIVOT BOLT
9	LM104911	1	CUP
10	LM104949	1	CONE
11	MTPBB100NO00	.5	BUSHING
12	01 - 334	1	O - RING



SIDE VIEW SHOWN WITH BRACKET REMOVED

THIS DRAWING IS THE SOLE PROPERTY OF ARCH ENVIRONMENTAL EQUIPMENT INC., AND MUST BE USED ONLY IN CONNECTION TO WORK ASSOCIATED WITH ARCH ENVIRONMENTAL EQUIPMENT INC. ALL RIGHTS OF DESIGN OR INVENTION ARE RESERVED.

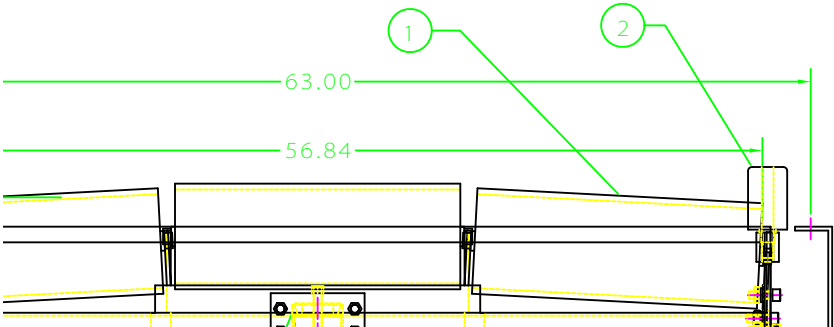
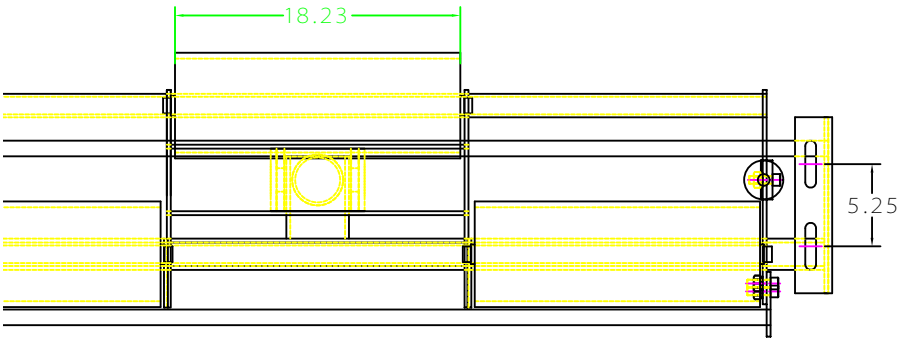


P.O. BOX 1760
5929 BENTON RD.
PADUCAH, KY 40302-1760
PHN: 800-553-4567
FAX: 800-230-9462
HTTP://WWW.AECC.COM

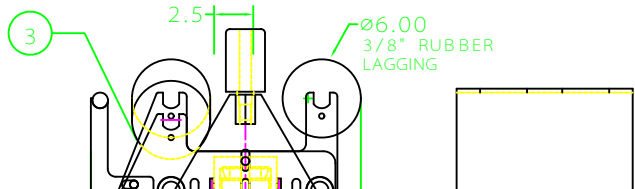
HEAVY DUTY
TRI - RETURN TRAINING IDLER
PN. # BTRT - 48 - SA - HD - R - E6

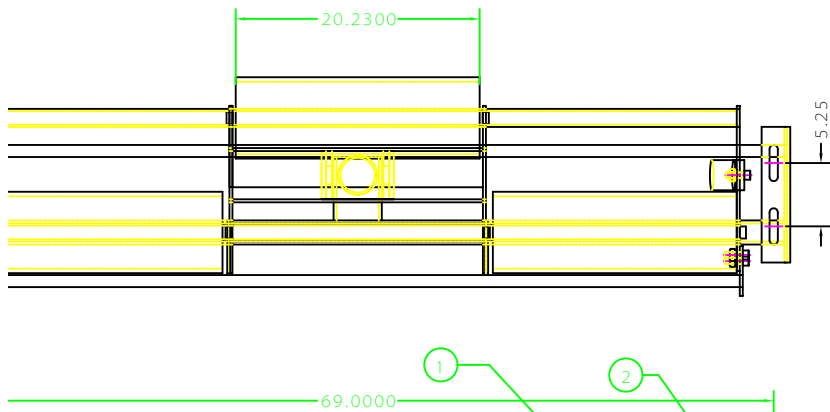
DRAWN:	S. HOWARD	DATE:	
CHECKED:	R.A.A.	DATE:	
APPROVED:	N.F.A.	DATE:	

TOLERANCES	SCALE
JOB NO.	DRAWING NO.
SHEET	OF
REV.	



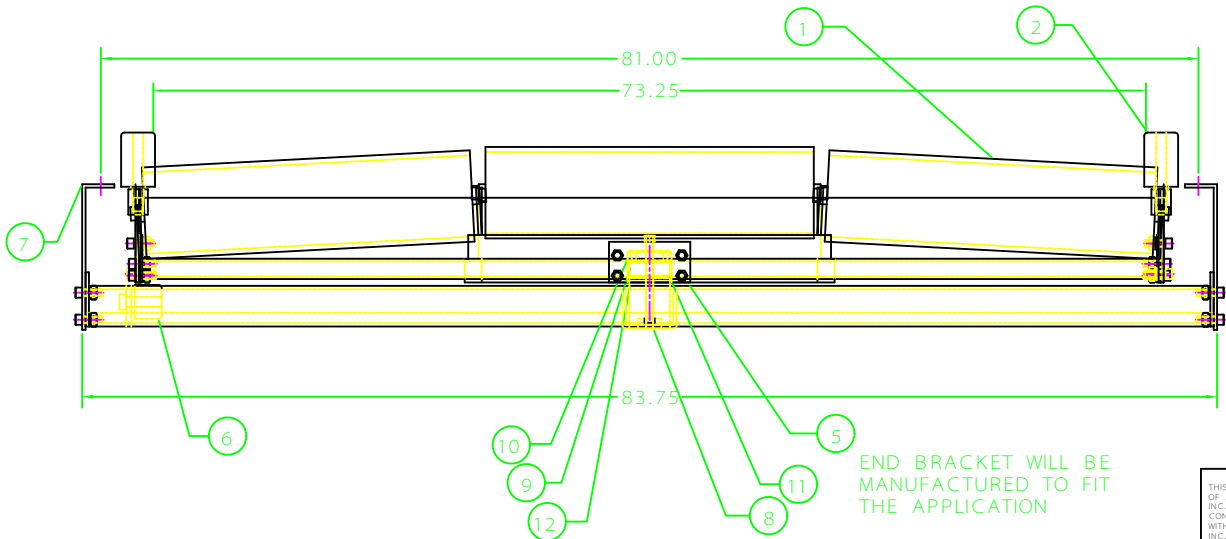
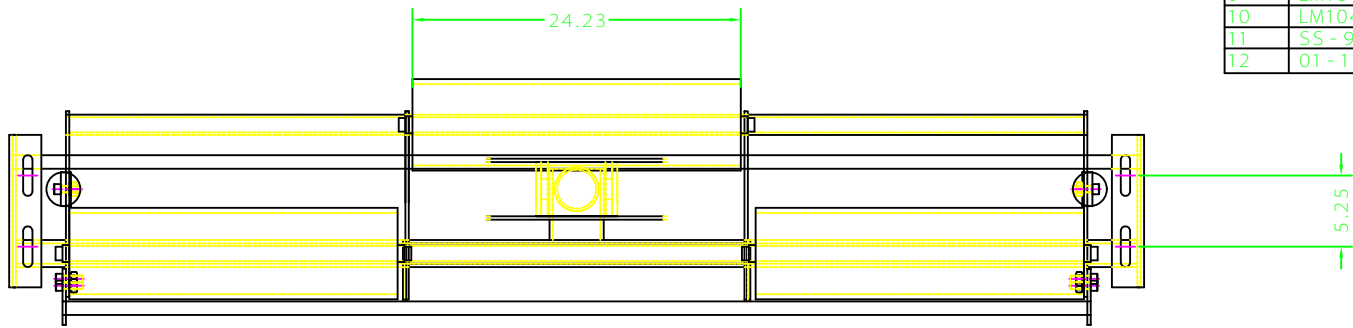
PART	PART NUMBER	QTY.	DESCRIPTION
1	TRR-54-HD-R-E63	3	ROLL
2	BTBS-SA-4-A	2	GUIDLER
3	TT-54-TUA-HD	1	TOP UNIT
4	BTT-54-BUA-HD	1	BOTTOM UNIT
5	RAO49	1	PIVOT BLOCK
6	BTBS-SA-O	2	SUPPORT ROLLER
7	AD-GBRK	2	GUIDLER BRACKET
8	BTT-PBB	1	PIVOT BOLT
9	LM104911	1	CUP
10	CM104949	1	CONE
11	SS-96104-48	.5	BUSHING
12	01-114	1	O-RING



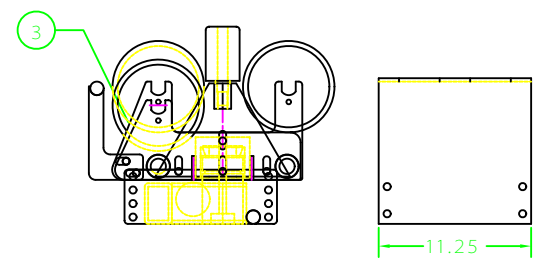


ITEM	PART NUMBER	QTY.	DESCRIPTION
1	TRR - 60 - HD - R - D6	3	ROLL
2	BTBS - SA - 4 - A	2	GUIDLER
3	TT - 60 - TUA - HD	1	TOP UNIT
4	BTT - 60 - BUA - HD	1	BOTTOM UNIT
5	RAO49	1	PIVOT BLOCK
6	BTBS - SA - O	2	SUPPORT ROLLER
7	AD - GBRK	2	GUIDLER BRACKET
8	BTT - PBB	1	PIVOT BOLT
9	LM104911	1	CUP
10	CM104949	1	CONE
11	SS - 96104 - 48	.5	BUSHING
12	01 - 114	1	O - RING

PART	PART NUMBER	QTY.	DESCRIPTION
1	TRR-72-HD-R-D6	3	ROLL
2	BTBS-SA-4-A	2	GUIDLER
3	TT-72-TUA-HD	1	TOP UNIT
4	BTT-72-BUA-HD	1	BOTTOM UNIT
5	RAO49	1	PIVOT BLOCK
6	BTBS-SA-O	2	SUPPORT ROLLER
7	HD-GBRK	2	GUIDLER BRACKET
8	BTT-PBB	1	PIVOT BOLT
9	LM104911	1	CUP
10	LM104949	1	CONE
11	SS-96104-48	.5	BUSHING
12	01-114	1	O-RING



END BRACKET WILL BE MANUFACTURED TO FIT THE APPLICATION

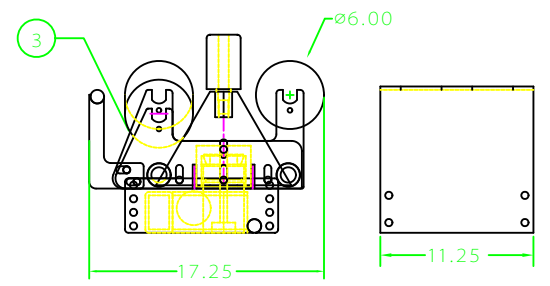
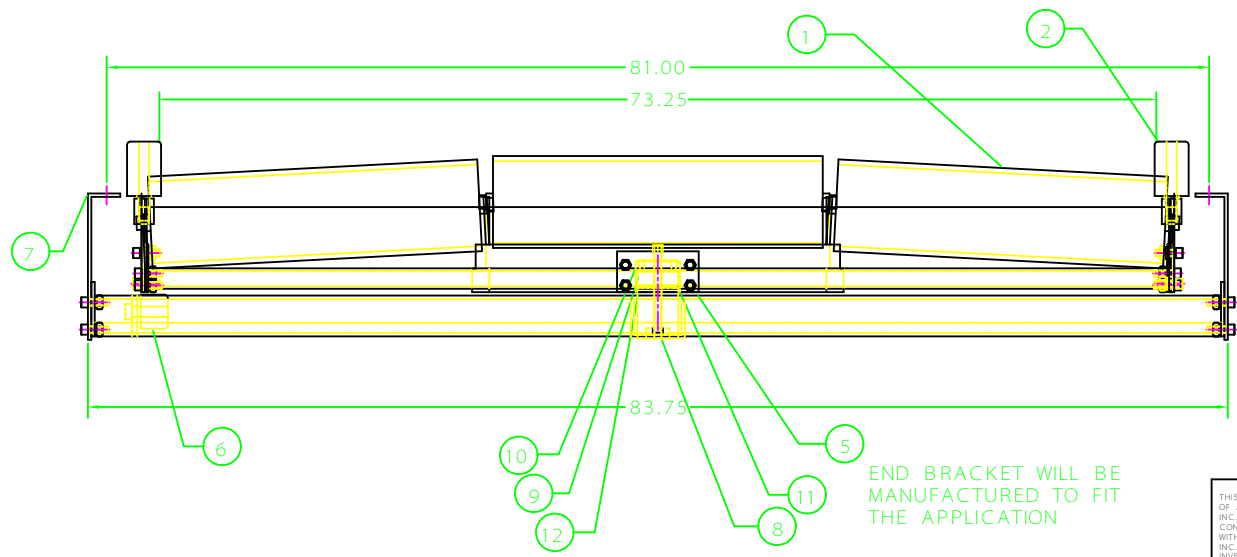
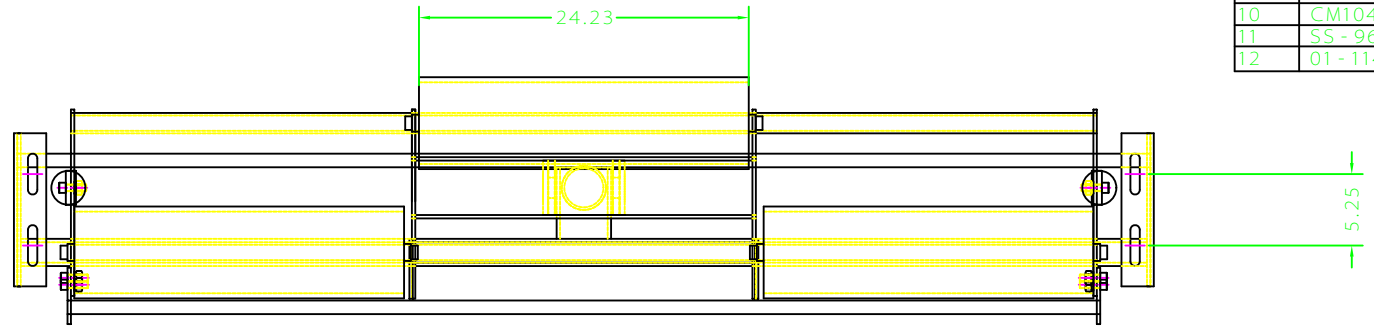


SIDE VIEW SHOWN WITH BRACKET REMOVED

THIS DRAWING IS THE SOLE PROPERTY OF ARCH ENVIRONMENTAL EQUIPMENT INC., AND MUST BE USED ONLY IN CONNECTION TO WORK ASSOCIATED WITH ARCH ENVIRONMENTAL EQUIPMENT INC. ALL RIGHTS OF DESIGN OR INVENTION ARE RESERVED.

	P.O. BOX 1760 5929 BENTON RD. PADUCAH, KY 42002-1760 PHN: 800-553-4567 FAX: 800-230-9462 HTTP://WWW.AEEC.COM	
	DRAWN: S.HOWARD DATE: _____ CHECKED: R.A.A. DATE: _____ APPROVED: N.F.A. DATE: _____	TOLERANCES: _____ SCALE: _____
	HEAVY DUTY TRI-RETURN TRAINING IDLER PN. # BTRT-72-HD-RD6	JEP NO: _____ DRAWING NO: 071200A SHEET OF REV: _____

PART	PART NUMBER	QTY.	DESCRIPTION
1	TRR-72-HD-R-E6	3	ROLL
2	BTBS-SA-4-A	2	GUIDLER
3	TT-72-TUA-HD	1	TOP UNIT
4	BTT-72-BUA-HD	1	BOTTOM UNIT
5	RAO49	1	PIVOT BLOCK
6	BTBS-SA-O	2	SUPPORT ROLLER
7	AD-GBRK	2	GUIDLER BRACKET
8	BTT-PBB	1	PIVOT BOLT
9	LM104911	1	CUP
10	CM104949	1	CONE
11	SS-96104-48	5	BUSHING
12	01-114	1	O-RING



END BRACKET WILL BE MANUFACTURED TO FIT THE APPLICATION

MTR072072HDRE60000000

THIS DRAWING IS THE SOLE PROPERTY OF ARCH ENVIRONMENTAL EQUIPMENT INC., AND MUST BE USED ONLY IN CONNECTION TO WORK ASSOCIATED WITH ARCH ENVIRONMENTAL EQUIPMENT INC. ALL RIGHTS OF DESIGN OR INVENTION ARE RESERVED.

DRAWN: S.HOWARD DATE: _____
 CHECKED: R.A.A. DATE: _____
 APPROVED: N.F.A. DATE: _____

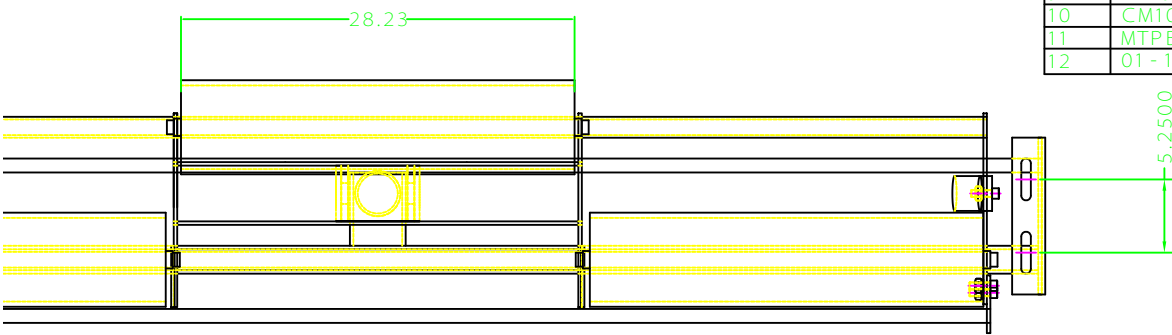
ARCH
 ENVIRONMENTAL EQUIPMENT, INC.

P.O. BOX 1760
 5929 BENTON RD.
 PADUCAH, KY 42002-1760
 PHN: 800-553-4567
 FAX: 800-230-9462
 HTTP://WWW.AEEC.COM

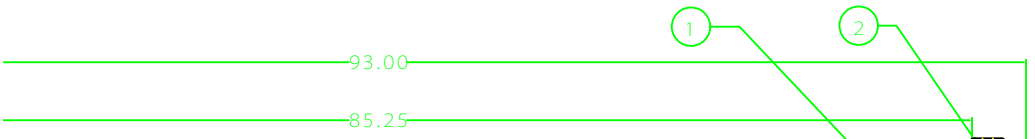
HEAVY DUTY
 TRI-RETURN TRAINING IDLER
 PN. # BTRT-72-HD-R-E6

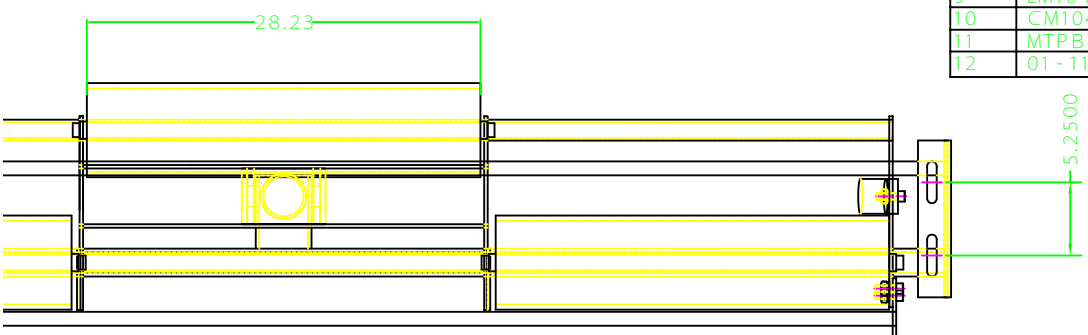
TOLERANCES: SCALE: _____

JOB NO. _____ DRAWING NO. 0715055A
 SHEET OF REV. _____



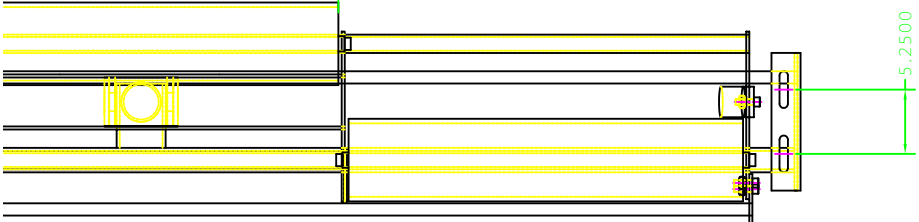
PART	PART NUMBER	QTY.	DESCRIPTION
1	MTTHD084RD6	3	ROLL
2	MTPGA04GDL00	2	GUIDLER
3	TT84TUA - HD	1	TOP UNIT
4	BTT84BUA - HD	1	BOTTOM UNIT
5	MTPPP100NO00	1	PIVOT BLOCK
6	MTPGR00SHT00	2	SUPPORT ROLLER
7	HD - GBRK	2	GUIDLER BRACKET
8	MTPPB000NO00	1	PIVOT BOLT
9	LM104911	1	CUP
10	CM104949	1	CONE
11	MTPBB100NO00	.5	BUSHING
12	01 - 114	1	O - RING





PART	PART NUMBER	QTY.	DESCRIPTION
1	MTTHD084RE6	3	ROLL
2	MTPGA04GDL00	2	GUIDLER
3	TT84TUA - HD	1	TOP UNIT
4	BTT84BUA - HD	1	BOTTOM UNIT
5	MTPPP100NO00	1	PIVOT BLOCK
6	MTPGR00SHT00	2	SUPPORT ROLLER
7	HD - GBRK	2	GUIDLER BRACKET
8	MTPPB000NO00	1	PIVOT BOLT
9	LM104911	1	CUP
10	CM104949	1	CONE
11	MTPBB100NO00	.5	BUSHING
12	01 - 114	1	O - RING

32.23



PART	PART NUMBER	QTY.	DESCRIPTION
1	MTTHD096RE6	3	ROLL
2	MTPGA04GDL00	2	GUIDLER
3	TT96TUA - HD	1	TOP UNIT
4	BTT96BUA - HD	1	BOTTOM UNIT
5	MTPPP100NO00	1	PIVOT BLOCK
6	MTPGR00SHT00	2	SUPPORT ROLLER
7	HD - GBRK	2	GUIDLER BRACKET
8	MTPPB000NO00	1	PIVOT BOLT
9	LM104911	1	CUP
10	CM104949	1	CONE
11	MTPBB100NO00	.5	BUSHING
12	01 - 114	1	O - RING