

Arch Environmental Equipment, Inc.
ARCH SABER SECONDARY BELT
CLEANER GSS/SC

INSTALLATION INSTRUCTIONS

THE TOOLS & RESOURCES REQUIRED ARE:

- | | |
|------------------|----------------------|
| 1. TAPE MEASURE | 5. ADJUSTABLE WRENCH |
| 2. STRAIGHT EDGE | 6. WELDING EQUIPMENT |
| 3. CUTTING TORCH | 7. CHALK |
| 4. LEVEL | |

THE "GSS" CLEANER SHOULD BE MOUNTED AS CLOSE AS POSSIBLE TO THE POINT WHERE THE BELT LEAVES THE HEAD PULLEY. THE CLEANER MAY BE MOUNTED FARTHER AWAY, BUT SHOULD HAVE SOME KIND OF A ROLLER SURFACE INSTALLED ABOVE IT ON THE CLEAN SIDE OF THE BELT. AFTER DETERMINING THE POSITION WHERE THE CLEANER IS TO BE MOUNTED, YOU ARE THEN READY TO MOUNT THE CLEANER.

***SHUT DOWN AND LOCKOUT CONVEYOR BEFORE
PERFORMING ANY MAINTENANCE***

STEP 1

The center line of the tensioner pipe (item 2 – fig. 2) should be mounted below the belt about 3 ½" (88.9mm), see dim. "A" – fig. 1. You may have to fabricate the structure in order to do this. You will need a surface of at least 4 ½" (114.3mm) wide to accommodate the tensioner (item 3 – fig. 2) and weld hub (item 6 – fig. 2). You will need to cut or burn a 2 ½" (63.5mm) hole for the tensioner pipe to pass through with its center line at 3 ½" (88.9mm) below the belt as referred to in fig. 1 (dim. "A"). Make sure that hanger brackets are perpendicular to the belt.

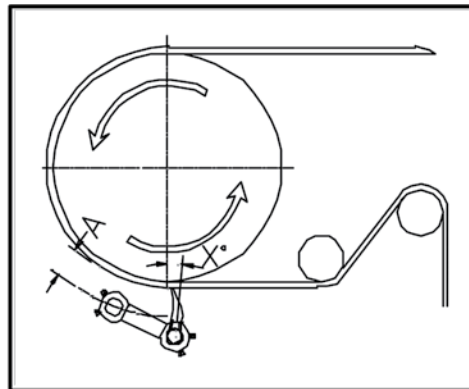


Fig. 1

STEP 2

Now, remove the tensioner and weld hub from the cleaner and slide the tensioner pipe from the pivot arms (item 7 – fig. 2). You may leave the arms attached to the cleaner mainframe.

STEP 3

Now you can slide the tensioner pipe through the brackets. As you run the tensioner pipe through the first bracket, you will need to slide back through the pivot arms at the same time (see fig. 2). Do not tighten the set screw in the pivot arms yet, let them hang freely on the tensioner pipe. Now, slide the tensioner over the end of the pipe that has the slots in it and insert the tensioner pin (item 4 —fig. 2). After placing the weld hub (item 6 — fig. 2) on the opposite end, hold the pipe so the center line is at 3 ½” (33.9mm). Tack weld the tensioner and weld hub to the mounting brackets.

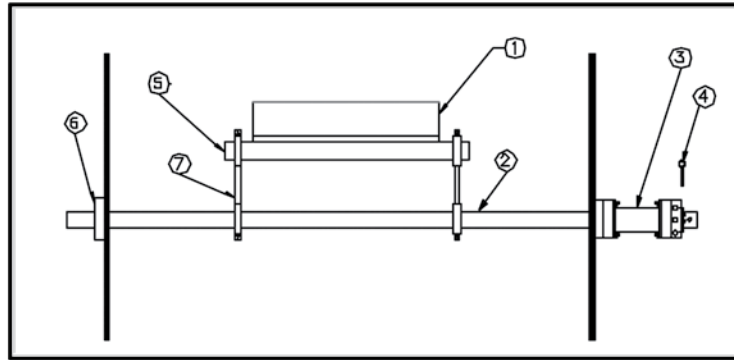


Fig. 2

STEP 4

Swing the cleaner frame up until it contacts the belt. Make sure that the blade contacts the belt and is mounted parallel with the face of the belt. Tighten the set screws in the pivot arms on the tensioner pipe. You may need to adjust the angle of the blade at this point. It should be angled in the direction of the belt travel (see fig. 3). After this has been done, you may complete the welding job on the hubs. Three (3) one inch (1”) welds spaced around the hubs are all that is needed.

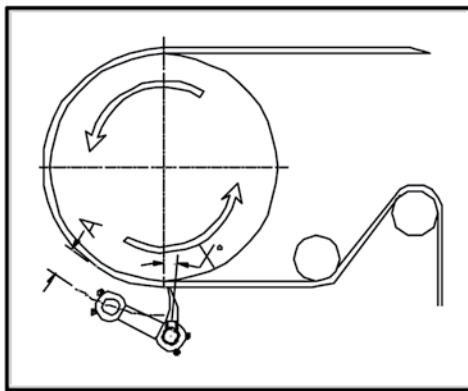


Fig. 3

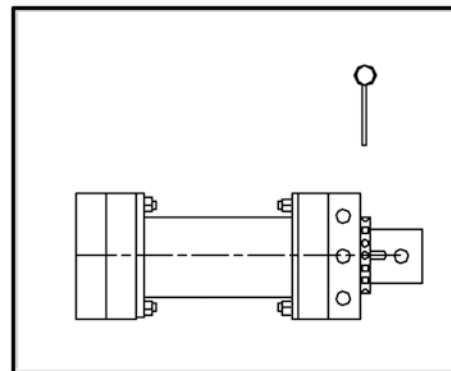


Fig. 4

STEP 5

Remove the tensioner pin and verify that the cleaner rotates freely in the hubs. If needed, make any adjustments that are necessary.

STEP 6

You are now ready to tension the cleaner. Holding the blade against the belt, place the wrench into the outer hub and rotate it in the direction of belt travel, approximately two (2) holes (see fig. 4), and reinsert the tensioner pin. **That's it!**

