

Who is Arch Environmental?

*manufacturer and worldwide distributor of preferred bulk conveyor components since 1975

Mechanical Division

Belt Cleaners • Belt Alignment • Sealing Systems • Dust Control Systems • Impact/Slider Systems

Electrical Division

Belt Scales • Metal Detectors • Pull Cord Switches • Belt Protection Devices • Conveyor Control Systems

*facilities include a fabrication shop, a CNC machine shop, and state-of-the-art urethane production



Patented *Twister Tensioner*® maintains consistent blade-to-belt pressure and its core **GUARANTEED FOR LIFE!**

Constant re-tensioning not required.

Reinforced steel frame and cantilever arms for heavy-duty applications.

Curved blade is extremely efficient on stubborn, tacky material.

Increases life of belts and idlers by eliminating harmful carryback.

Vertical installation is ideal for narrow spaces.

Available for up to 96" belts.

Blade options include high-temperature, high-moisture, high-speed, and food-grade.

ARCH SABER SECONDARY® CLEANER

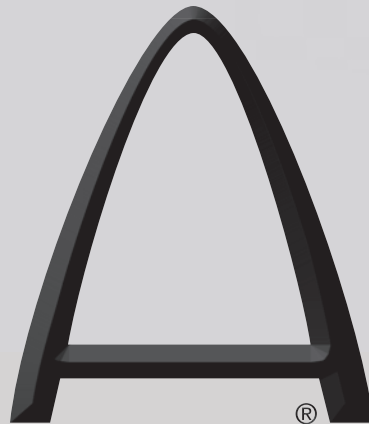
A self-sharpening premium polyurethane blade eliminates harmful carryback before it does any damage.

Cantilever design maintains consistent blade pressure while allowing mechanical splices to safely pass.

EZ Installation ✓
Low Maintenance ✓
Splice Safe ✓
Fast Delivery ✓
Heavy-Duty ✓

The most reliable tensioner today, Arch's patented *Twister Tensioner*® assures you consistent blade pressure without the need for re-tensioning.

Heavy-duty steel trailing arm gives you freedom to install the *Saber Secondary*® Cleaner anywhere along the return belt line for incredible cleaning.

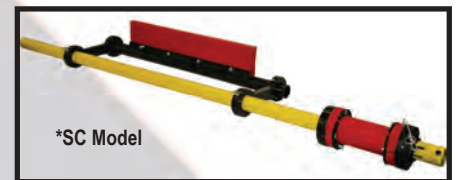


ARCH
ENVIRONMENTAL
EQUIPMENT, INC.

CONVEYOR EFFICIENCY SPECIALISTS

800-553-4567

www.archenv.com

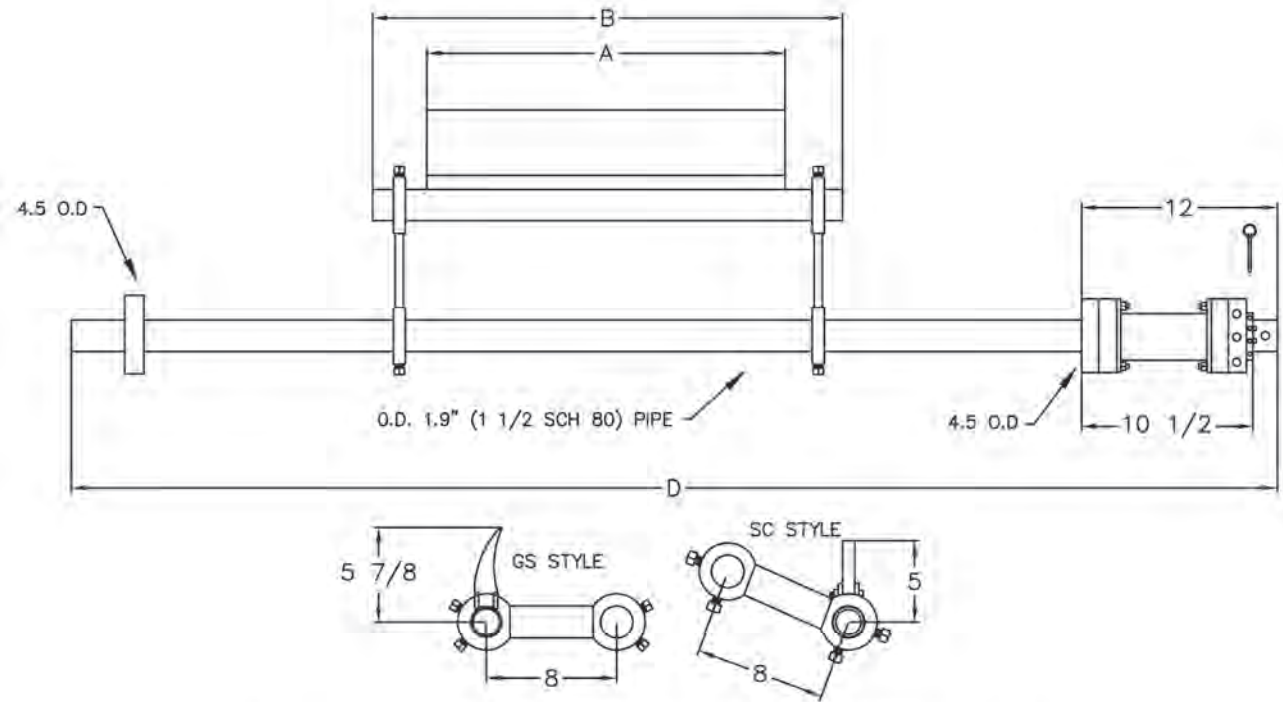


*SC Model

(Conveying Confidence)



ARCH SABER SECONDARY CLEANER



BELT WIDTH	SECONDARY BELT CLEANER "GS" & "SC" MODEL			
	A	B	C	ORDER #
18	18	24	68	MCN**00018F00018FTA00N00000000
24	24	30	74	MCN**00024F00024FTA00N00000000
30	30	36	80	MCN**00030F00030FTA00N00000000
36	36	42	86	MCN**00036F00036FTA00N00000000
42	42	48	92	MCN**00042F00042FTA00N00000000
48	48	54	98	MCN**00048F00048FTA00N00000000
54	54	60	104	MCN**00054F00054FTA00N00000000
60	60	66	110	MCN**00060F00060FTA00N00000000
72	72	78	122	MCN**00072F00072FTA00N00000000
84	84	90	130	MCNSC00084F00084FTA00N00000000
96	96	102	142	MCNSC00096F00096FTA00N00000000

Standard Blade
Red
Temp. Range: 180-220°F

*High-Moisture Blade
Gray
Temp. Range: 180-220°F
15%+ Moisture Content

*Ceramic Blade
Blue
High Friction/High Speed
750+ ft./min.

*High Temperature Blade
Green
Temp. Range: up to 300°F

*Non-pigment Blade
White
Same as Standard Red Blade
Ideal for color-sensitive material (ie. Borax, Soap, etc.)

*Food Grade Blade
Natural
FDA approved for mild contact with food products

*blade option available for SC model ONLY



Covered under one or more of the following patents:
4,202,437;4,231,471;4,436,446;4,489,823;4,533,036;4,779,716;4,877,125;
4,989,727;5,149,305;5,222,588;5,222,589;5,219,063;5,350,053;5,725,083;
other patents pending

Note: If available, prices vary with options.