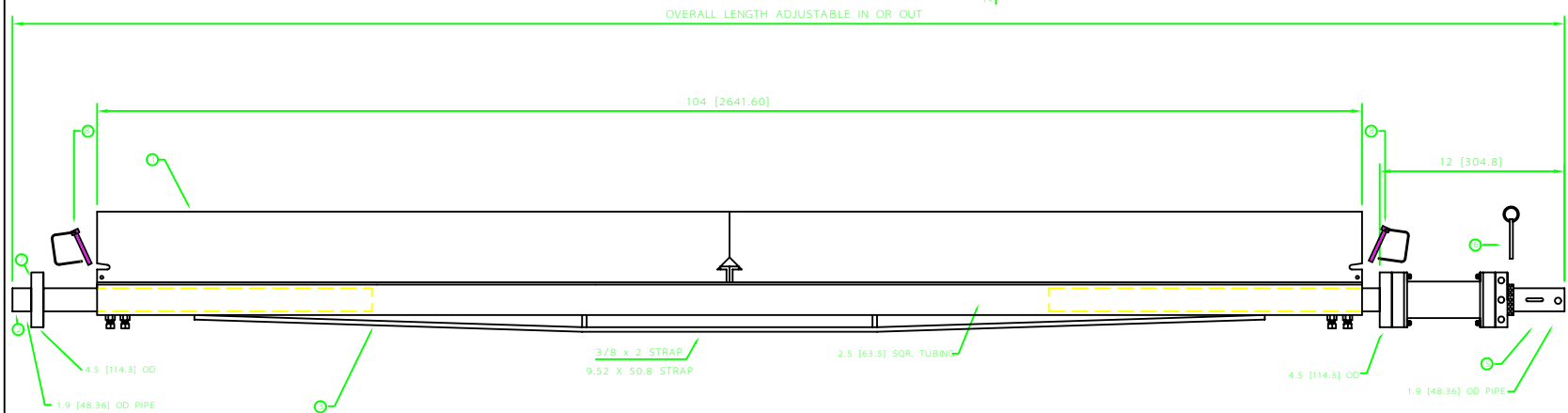
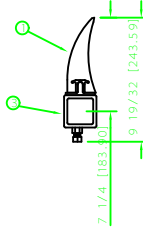


ITEM	QTY.	DESCRIPTION	PART NO.
1	2	GORDON SABER BLADE	SB-016-54
2	1	OPPOSITE SIDE SUPPORT PIPE	GP-011-72
3	1	MAIN FRAME	SB-015-108
4	1	URETHANE TENSIONER	GT-017-3
5	1	TENSIONER SIDE SUPPORT PIPE	GP-019-22
6	1	SHEAR PIN	GSR-600-1A
7	1	WELD COLLAR	GP-010
8	2	BLADE PIN	SB-018-1-S



FILENAME= SB108TA  
PLOTSCALE=1=4

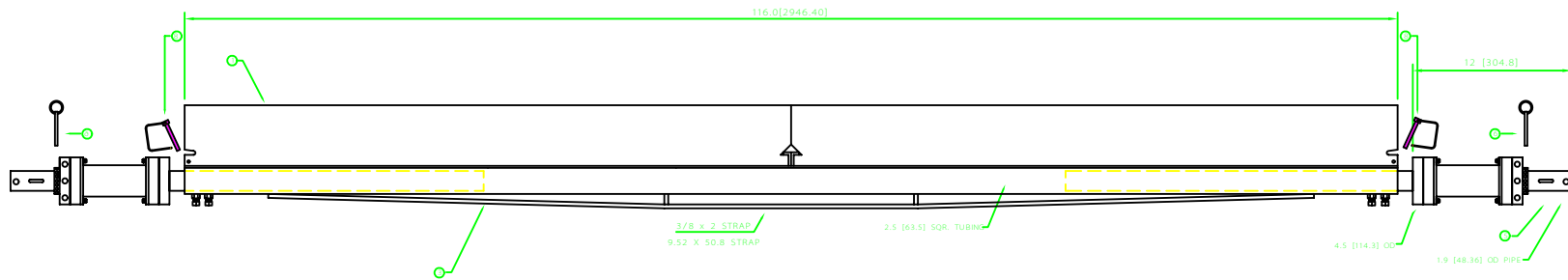
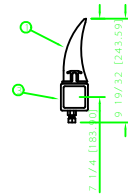
DRAWN:	S.HOWARD	DATE
CHECKED:	G.K.W.	DATE
APPROVED:	N.E.A.	DATE
SCALE	JOB NO.	

ARCH ENVIRONMENTAL EQUIP., INC.

GORDON  
SABER BLADE  
SB-108-UR-TA

DRAWING NO.	102892A	SHEET	OF	REV.
-------------	---------	-------	----	------

ITEM	QTY.	DESCRIPTION	PART NO.
1	2	GORDON SABER BLADE	SB-016-60
2	OMIT	OPPOSITE SIDE SUPPORT PIPE	GP-011-72
3	1	MAIN FRAME	SB-015-120
4	2	URETHANE TENSIONER	GT-017-3
5	2	TENSIONER SIDE SUPPORT PIPE	GP-010-72
6	1	SHARP PIN	SSR-600-1A
7	OMIT	WELD COLLAR	GP-010
8	2	BLADE PIN	SB-018-1-53



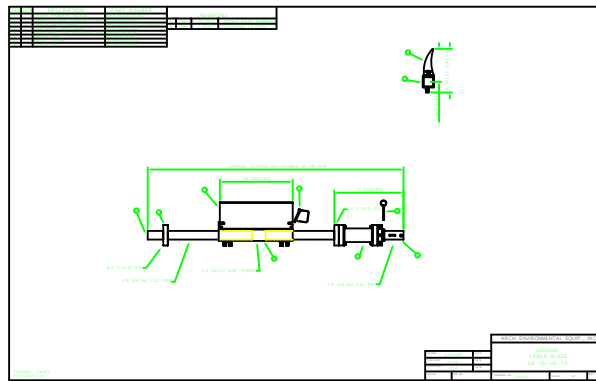
FILENAME= SB120DT  
PLOTSCALE=1=4

DRAWN:	S.HOWARD	DATE
CHECKED:	G.K.W.	DATE
APPROVED:	N.F.A.	DATE
SCALE	JOB NO.	

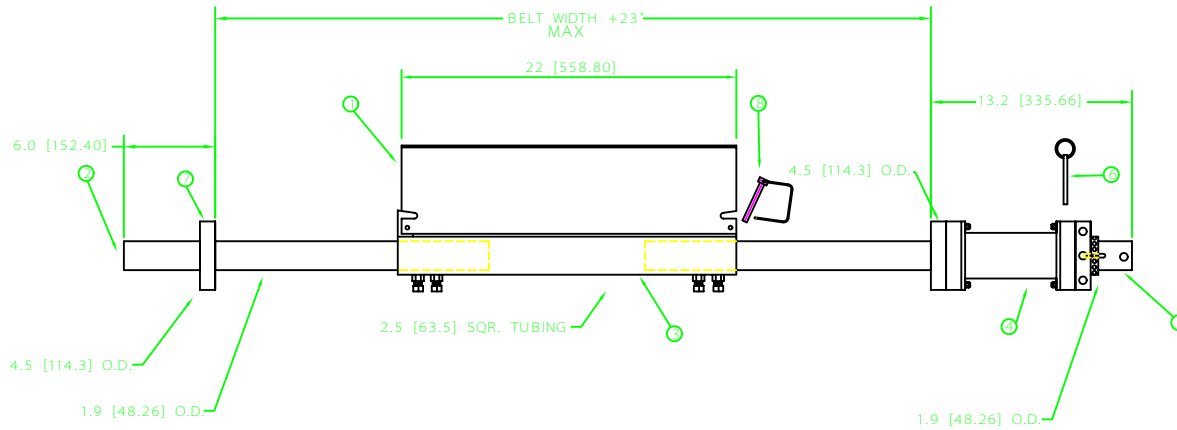
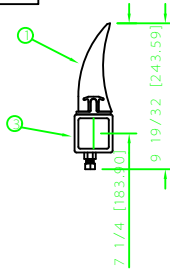
ARCH ENVIRONMENTAL EQUIP., INC.

GORDON  
SABER BLADE  
SB - 120 - UR - TA

DRAWING NO.	011595A	SHEET	OF	REV.
-------------	---------	-------	----	------



ITEM	QTY	DESCRIPTION	PART NUMBER	REVISIONS		
1	1	SABER PRIMARY BLADE	MRBSB000240001			
2	1	OPPOSITE SIDE SUPPORT PIPE	MC RPSU02400	A	SKH	022602 ADDED PART NUMBERS
3	1	SABER MAINFRAME	MRBSB0002400002400000			
4	1	URETHANE TENSIONER	MCR1RD002400	B	CF	120307 CHANGED LAYERS
5	1	TENSIONER SIDE SUPPORT PIPE	MCRB1P03200			
6	1	SHEAR PIN	MCRBIP000NO			
7	1	WELD COLLAR	MCRHSU000NO			
8	2	BLADE PIN	MCRBPP000NO			

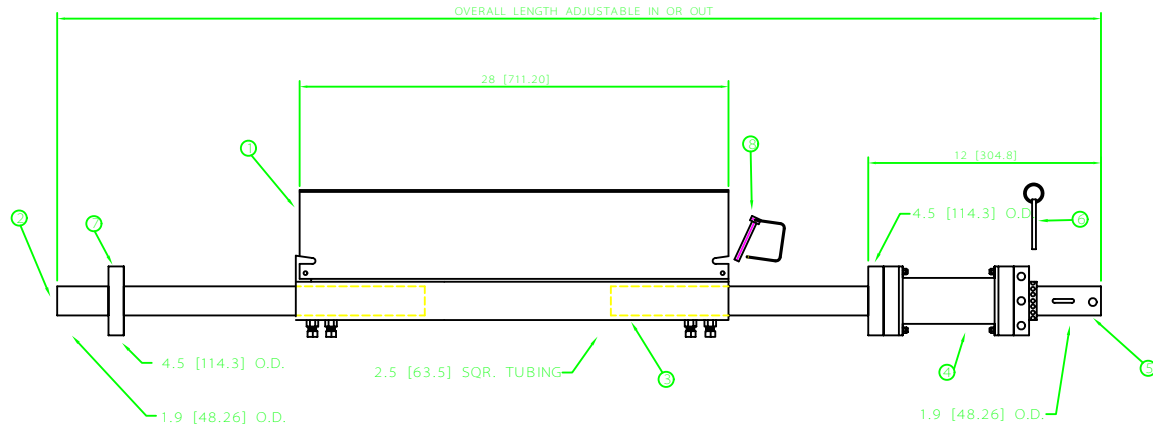
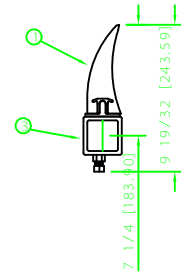


FILENAME= SB24TA  
 PLOTSCALE=1=4

DRAWN:	S.HOWARD	DATE
CHECKED:	G.K.W.	DATE
APPROVED:	N.F.A.	DATE
SCALE	JOB No.	

ARCH ENVIRONMENTAL EQUIP., INC.		
GORDON SABER BLADE SB - 24 - UR - TA		
DRAWING NO.	000354	SHEET OF REV.

ITEM	QTY	DESCRIPTION	PART NUMBER
1	1	SABER PRIMARY BLADE	MRBSB000300001
2	1	OPPOSITE SIDE SUPPORT PIPE	MCBPSU02400
3	1	SABER MAINFRAME	MFRSB0003000003000000
4	1	URETHANE TENSIONER	MCBTRD00200
5	1	TENSIONER SIDE SUPPORT PIPE	MCBTP003200
6	1	SHEAR PIN	MCBRIP000N0
7	1	WELD COLLAR	MCBHSU00000
8	2	BLADE PIN	MCBBP000N0



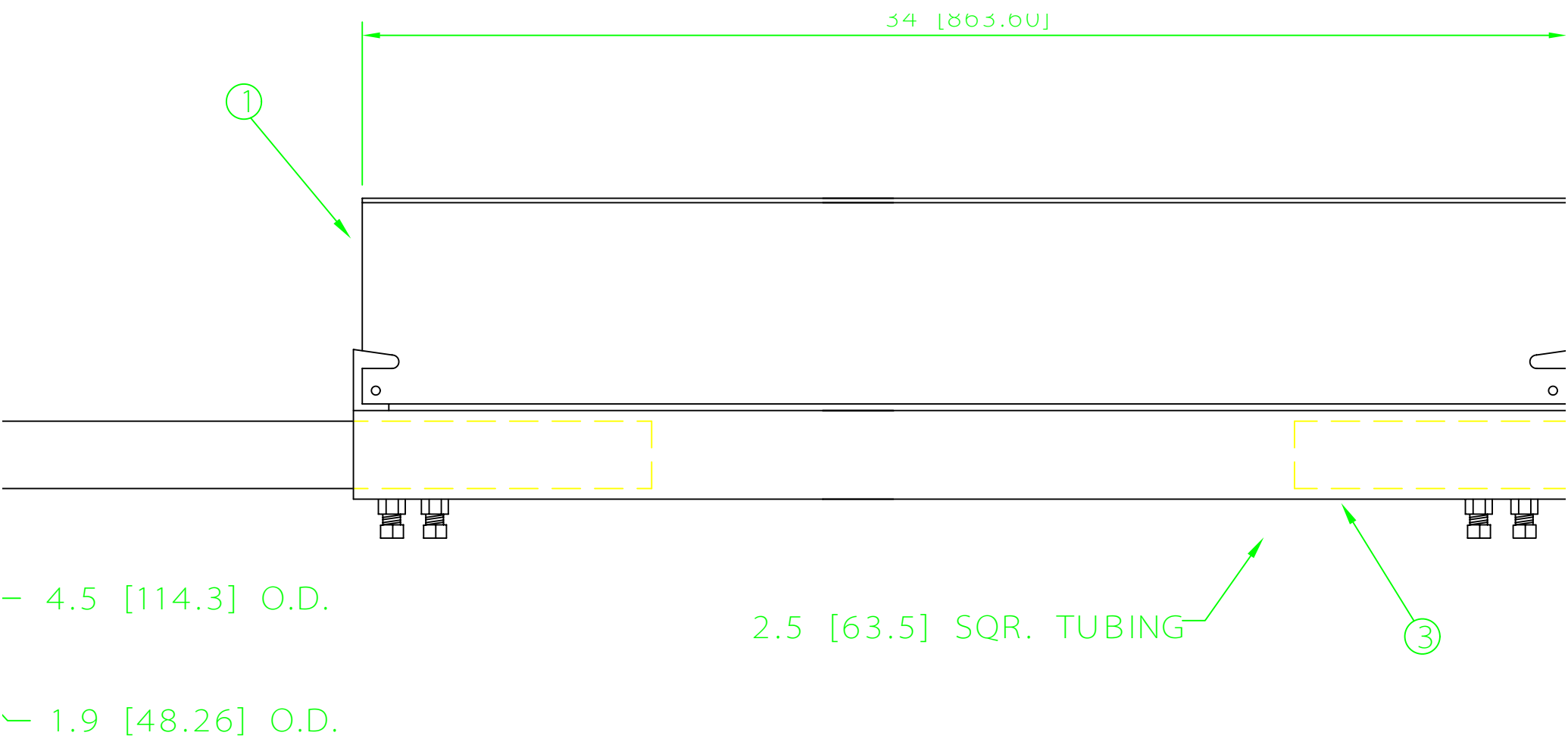
MCNSB000300000300TA000000000000

ARCH ENVIRONMENTAL EQUIP., INC.

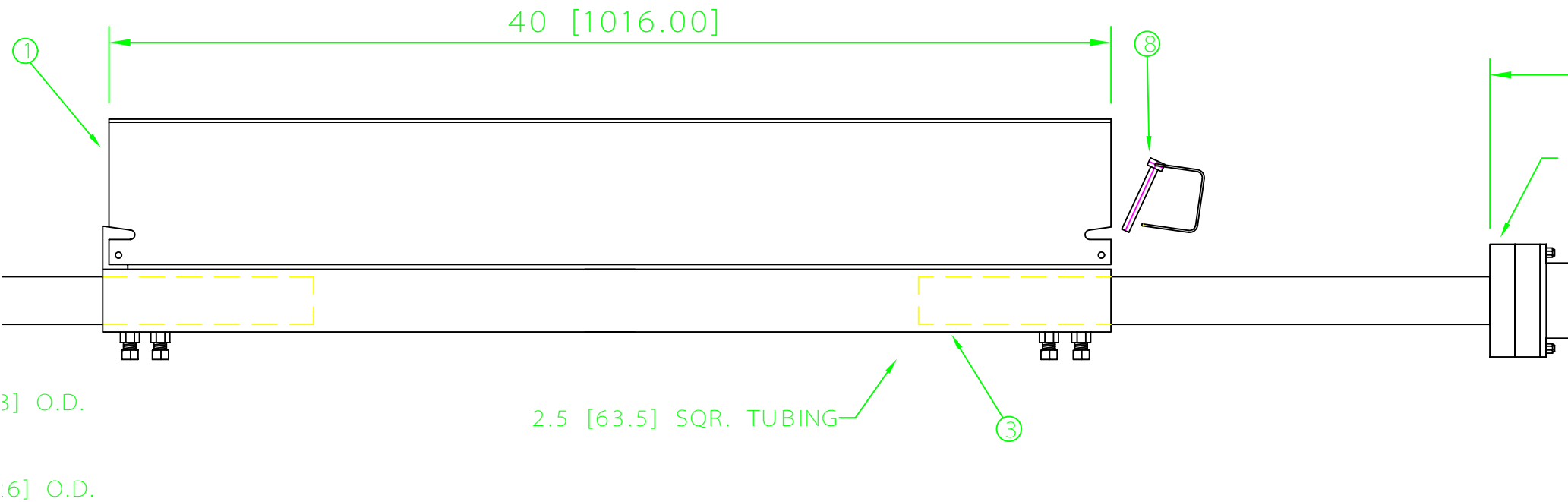
GORDON  
SABER BLADE  
SB - 30 - UR - TA

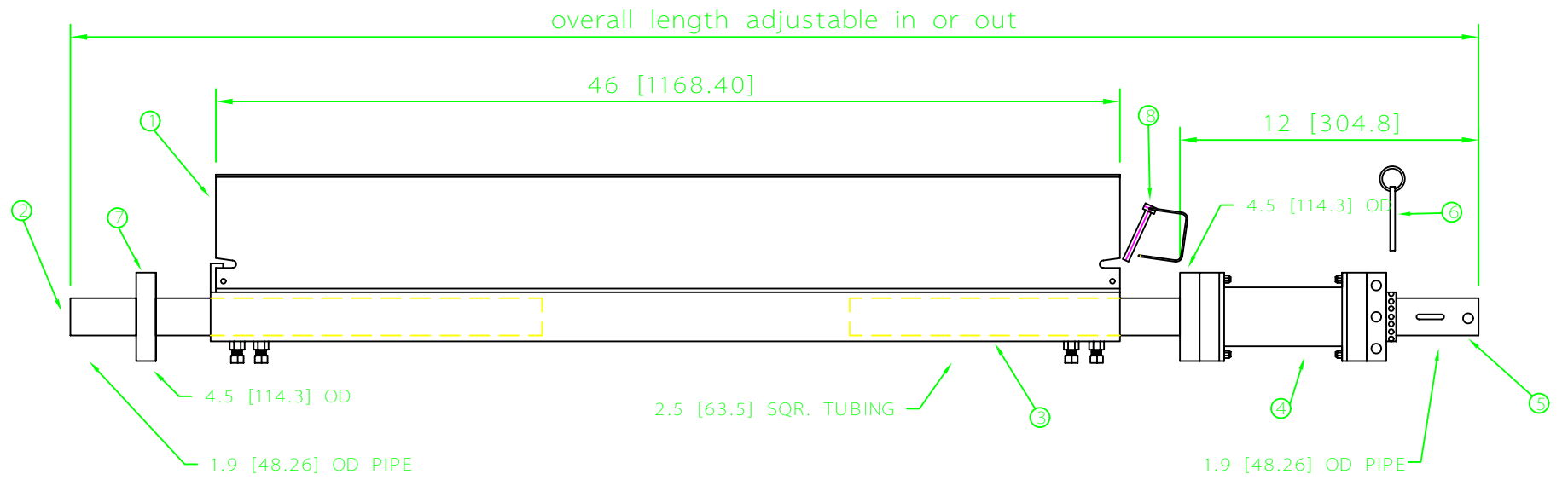
DRAWN:	S. HOWARD	DATE	
CHECKED:	G. K. W.	DATE	
APPROVED:	N. F. A.	DATE	
SCALE	JOB No.	DRAWING NO.	12491

DRAWING NO.	12491	SHEET	1	OF	1	REV.	
-------------	-------	-------	---	----	---	------	--

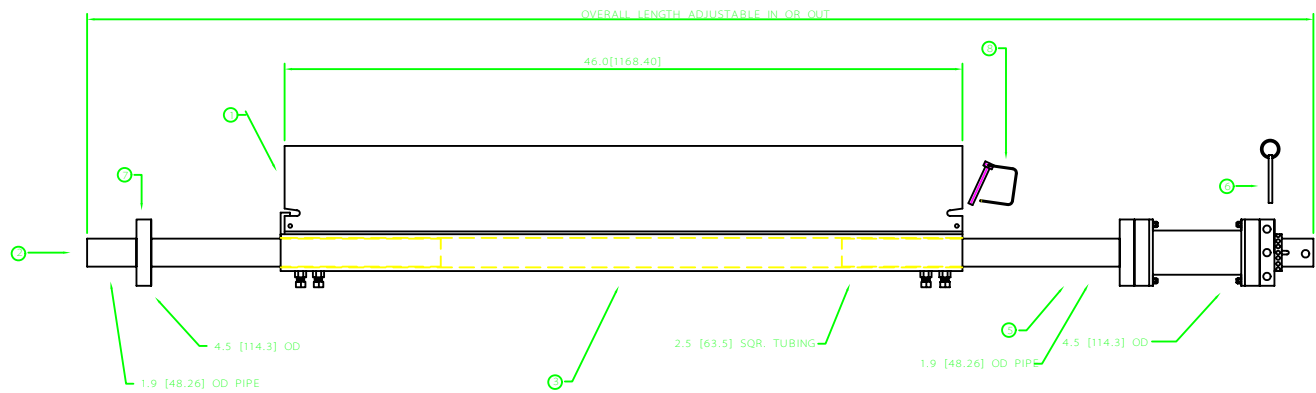
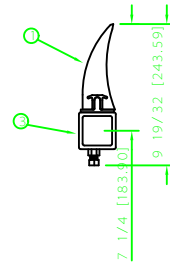


OVERALL LENGTH, ASSEMBLED WITH COUPLER





2	1	OPPOSITE SIDE SUPPORT PIPE	MC RPSU02400
3	1	SABER MAINFRAME	MC RSB0005400005400000
4	1	URETHANE TENSIONER	MC RTBD00200
5	1	TENSIONER SIDE SUPPORT PIPE	MC RSTP02200
6	1	SHEAR PIN	MC RRP00000
7	1	WELD COLLAR	MC RHSU00000
8	2	BLADE PIN	MC RRRP00000



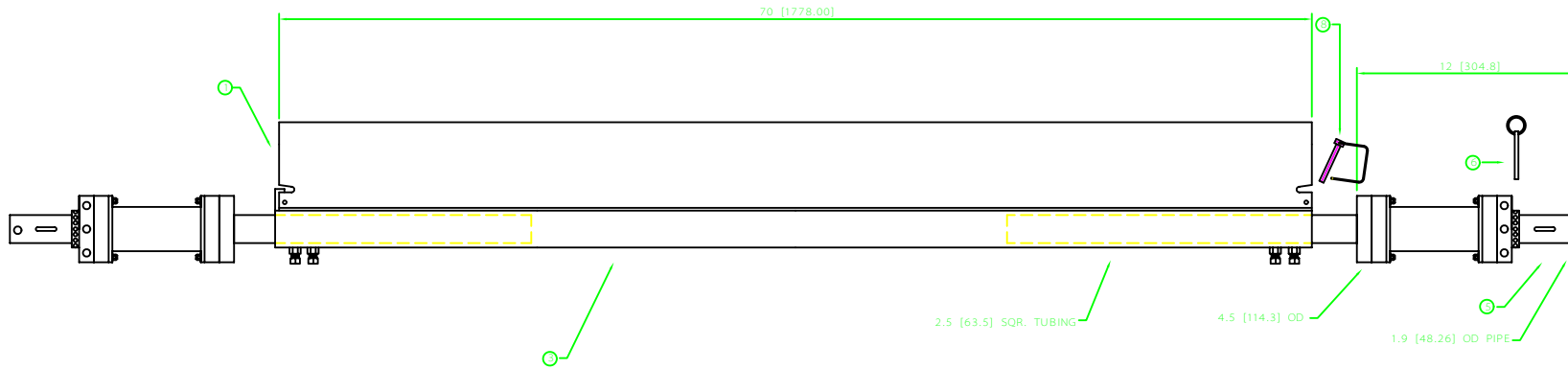
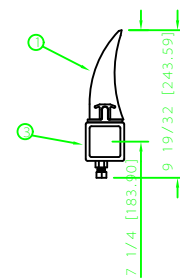
FILENAME= SB54TA  
 PLOTSCALE=1=4

ARCH ENVIRONMENT			
GORDON SABER BL SB - 54 - UR			
DRAWN	S. HOWARD	DATE	
CHECKED	G.K.W.	DATE	
APPROVED	N.F.A.	DATE	
SCALE	JOB NO.	DRAWING NO.	REV





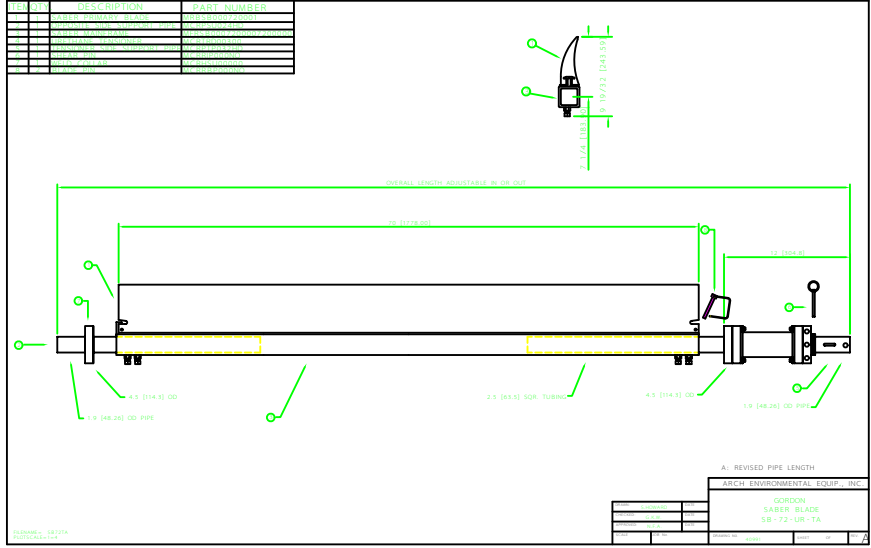
ITEM	QTY.	DESCRIPTION	PART NUMBER
1	1	SABER PRIMARY BLADE	MRBSB000720001
2	1	OPPOSITE SIDE SUPPORT PIPE	OMIT
3	1	SABER MAINFRAME	MFRSB0007200007200000
4	2	URETHANE TENSIONER	MCRTD00300
5	2	TENSIONER SIDE SUPPORT PIPE	MCBPTP072HD
6	1	SHFAR PIN	MCRBIP000NO
7	1	WELD COLLAR	OMIT
8	2	BLADE PIN	MCRBBP000NO



FILENAME= SB72DT  
 PLOTSCALE= 1=4

ARCH ENVIRONMENTAL EQUIP., INC.			
GORDON SABER BLADE SB - 72 - UR - TA - DT			
DRAWN:	S.HOWARD	DATE	
CHECKED:	G.K.W.	DATE	
APPROVED:	N.F.A.	DATE	
SCALE	JOB No.	DRAWING NO.	71800A
		SHEET	OF
		REV.	

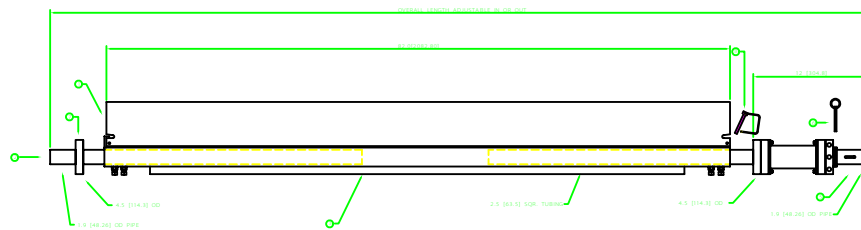
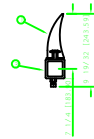
ITEM	DESCRIPTION	PART NUMBER
1	SAFER BLADE	SB-72-UR-TA
2	SAFER BLADE	SB-72-UR-TA
3	SAFER BLADE	SB-72-UR-TA
4	SAFER BLADE	SB-72-UR-TA
5	SAFER BLADE	SB-72-UR-TA
6	SAFER BLADE	SB-72-UR-TA
7	SAFER BLADE	SB-72-UR-TA
8	SAFER BLADE	SB-72-UR-TA
9	SAFER BLADE	SB-72-UR-TA
10	SAFER BLADE	SB-72-UR-TA



REVISED: 10/27/14  
GORDON

DATE	DESCRIPTION

ITEM	DESCRIPTION	PART NUMBER
1	BASE PRIMARY FRAME	8120283-00
2	BASE SECONDARY FRAME	8120284-00
3	BASE TUBING	8120285-00
4	BASE WHEELS	8120286-00
5	BASE MOUNTING BRACKET	8120287-00
6	BASE SUPPORT BRACKET	8120288-00
7	BASE ASSEMBLY	8120289-00



ITEM	QTY	DESCRIPTION	PART NUMBER
1	1	SABER PRIMARY BLADE	MRBS800096000
2	1	OPPOSITE SIDE SUPPORT PIPE	MCRRS002455
3	1	SABER MAINFRAME	MCRRS000960000960000
4	1	VERTICAL FUSION W/PS	MCRRS000300
5	1	MISSIONER SIDE SUPPORT PIPE	MCRRS002455
6	1	SHEAR PIN	MCRRS000000
7	1	WELD COLLAR	MCRRS000000
8	2	BLADE PIN	MCRRS000000

A: 1.1.96 - REVISED TO ONE PIECE BLADE

