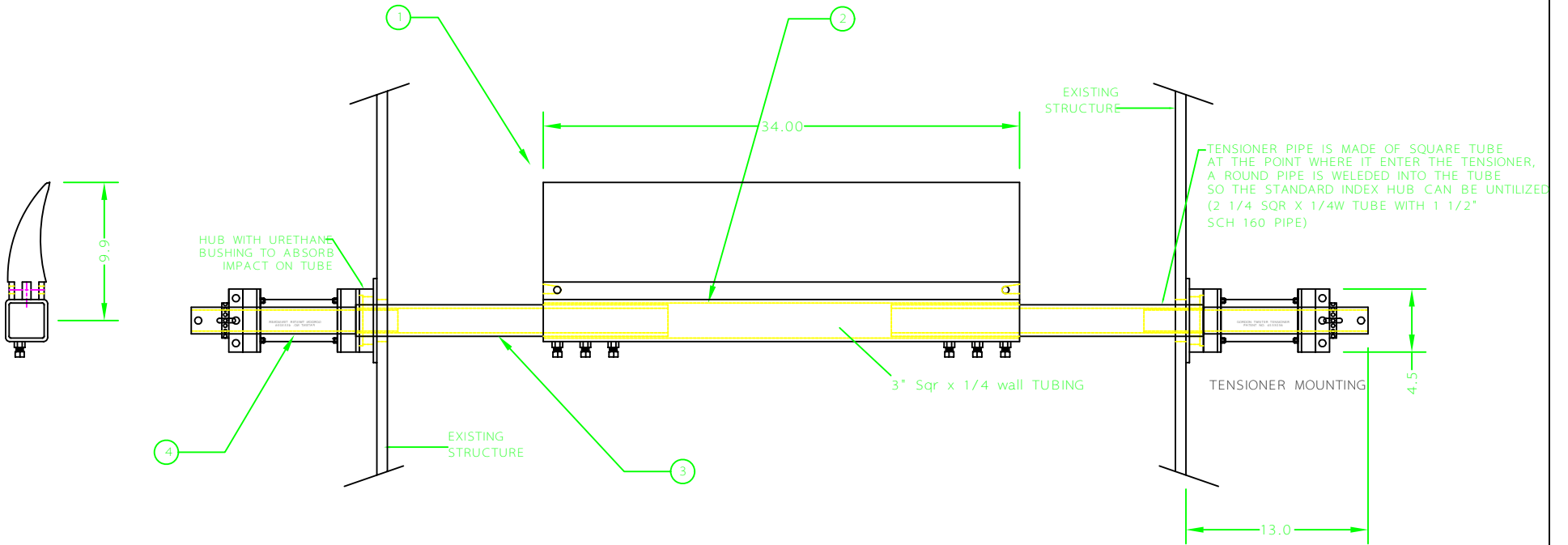


ITEM	QTY.	PART NUMBER	DESCRIPTION
1	1		REPLACEMENT BLADE
2	1		FRAME
3	2		TENSIONER PIPE
4	2		TENSIONER



FILENAME= MAX36DT

THIS DRAWING IS THE SOLE PROPERTY OF ARCH ENVIRONMENTAL EQUIPMENT INC. AND MUST BE USED ONLY IN CONNECTION TO WORK ASSOCIATED WITH ARCH ENVIRONMENTAL EQUIPMENT INC. ALL RIGHTS OF DESIGN OR INVENTION ARE RESERVED.

DRAWN:	S.HOWARD	DATE:	
CHECKED:	R.A.A.	DATE:	
APPROVED:		DATE:	

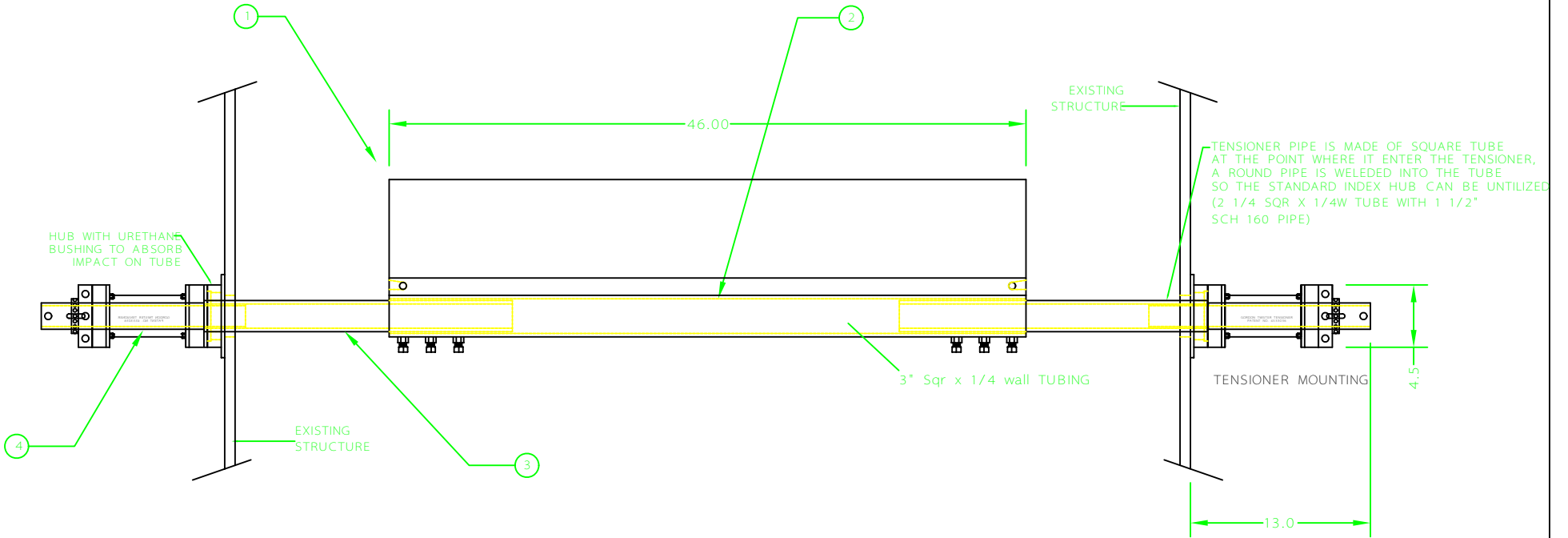
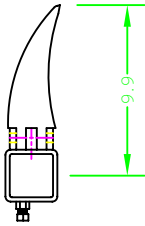
**ARCH**  
ENVIRONMENTAL  
EQUIPMENT, INC.

**MAX SABER**  
GENERAL DIAGRAM

P.O. BOX 1760  
5929 BENTON RD.  
PADUCAH, KY 42002-1760  
PHN: 800-553-4567  
FAX: 800-230-9462  
HTTP://WWW.AEEC.COM

TOLERANCES		SCALE	
POB NO:		DRAWING NO:	
SHEET	OF	REV.	

ITEM	QTY.	PART NUMBER	DESCRIPTION
1	1		REPLACEMENT BLADE
2	1		FRAME
3	2		TENSIONER PIPE
4	2		TENSIONER



FILENAME= MAX48DT

THIS DRAWING IS THE SOLE PROPERTY OF ARCH ENVIRONMENTAL EQUIPMENT INC. AND MUST BE USED ONLY IN CONNECTION TO WORK ASSOCIATED WITH ARCH ENVIRONMENTAL EQUIPMENT INC. ALL RIGHTS OF DESIGN OR INVENTION ARE RESERVED.

DRAWN:	S.HOWARD	DATE:	
CHECKED:	R.A.A.	DATE:	
APPROVED:		DATE:	



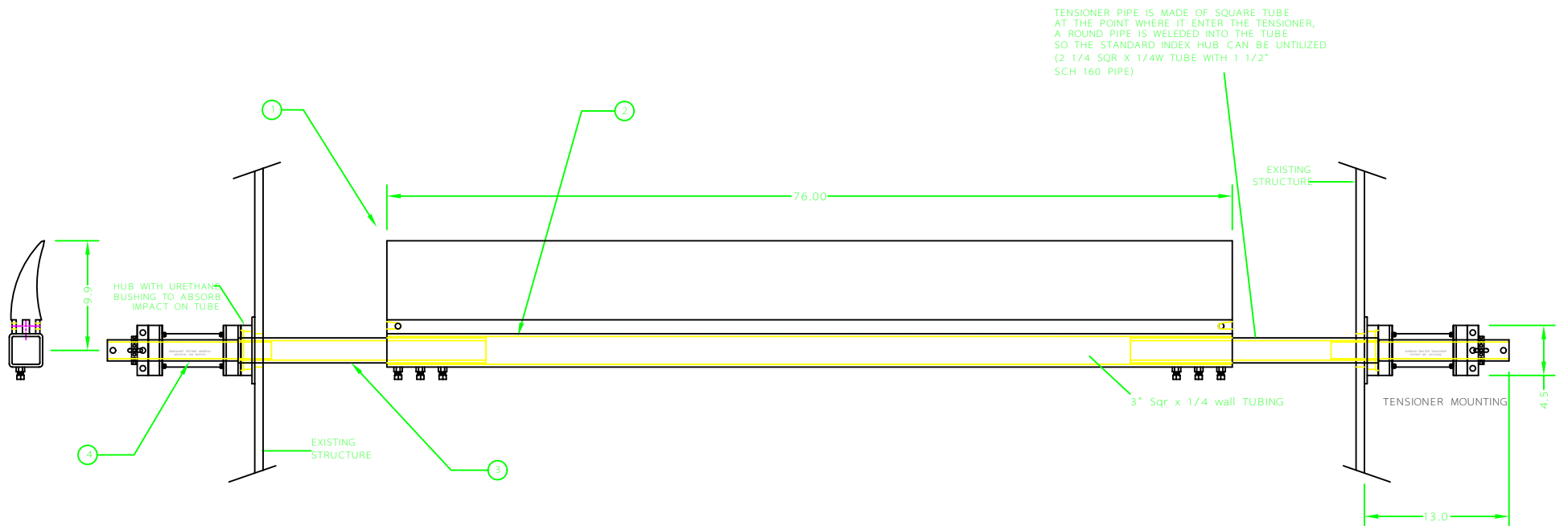
MAX SABER  
GENERAL DIAGRAM  
48"

P.O. BOX 1760  
5929 BENTON RD.  
PADUCAH, KY 42002-1760  
PHN: 800-553-4567  
FAX: 800-230-9462  
HTTP://WWW.AEEC.COM

TOLERANCES		SCALE	
DRAWING NO:	091508AA	SHEET	OF
REV.			



ITEM	QTY.	PART NUMBER	DESCRIPTION
1	1		REPLACEMENT BLADE
2	1		FRAME
3	2		TENSIONER PIPE
4	2		TENSIONER



TENSIONER PIPE IS MADE OF SQUARE TUBE AT THE POINT WHERE IT ENTER THE TENSIONER, A ROUND PIPE IS WELDED INTO THE TUBE SO THE STANDARD INDEX HUB CAN BE UTILIZED (2 1/4 SQR X 1/4W TUBE WITH 1 1/2" SCH 160 PIPE)

THIS DRAWING IS THE SOLE PROPERTY OF ARCH ENVIRONMENTAL EQUIPMENT, INC. AND MUST BE USED ONLY IN CONNECTION TO WORK ASSOCIATED WITH ARCH ENVIRONMENTAL EQUIPMENT, INC. ALL RIGHTS OF DESIGN OR INVENTION ARE RESERVED.

DRAWN:	S. HOWARD	DATE:	
CHECKED:	R. A. A.	DATE:	
APPROVED:		DATE:	

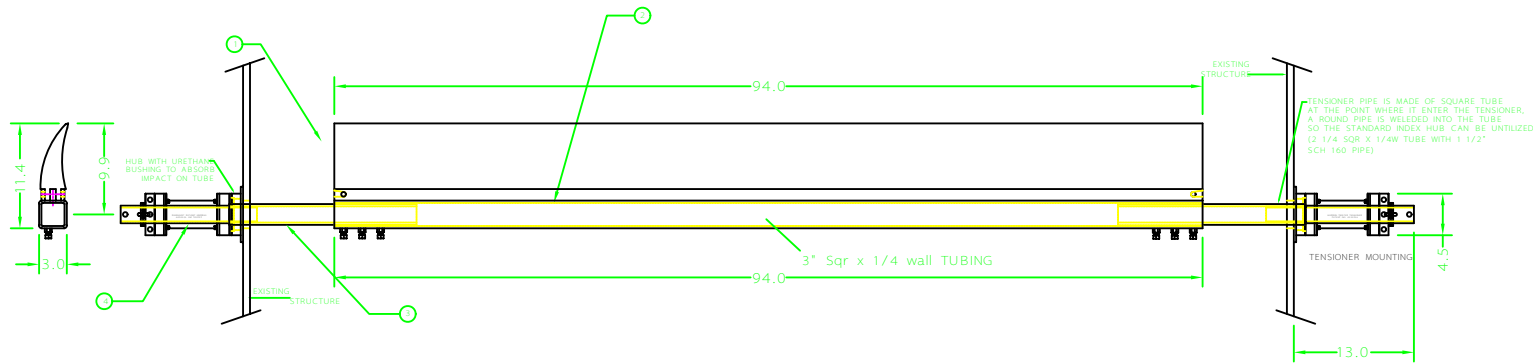


MAX SABER  
GENERAL DIAGRAM

P.O. BOX 1760  
5929 BENTON RD.  
PADUCAH, KY 42002-1760  
PHN: 800-553-4567  
FAX: 800-230-9462  
HTTP://WWW.AEEC.COM

TOLERANCES	SCALE
DWG NO:	DRAWING NO:
122007ag	
SHEET	OF
REV.	

ITEM	QTY	PART NUMBER	DESCRIPTION
1	1		REPLACEMENT BLADE
2	1		FRAME
3	2		TENSIONER PIPE
4	2		TENSIONER



FILENAME = MAX96DT

THIS DRAWING IS THE SOLE PROPERTY OF ARCH ENVIRONMENTAL EQUIPMENT, INC., AND MUST BE USED ONLY IN CONNECTION TO WORK ASSOCIATED WITH ARCH ENVIRONMENTAL EQUIPMENT, INC. ALL RIGHTS OF DESIGN OR INVENTION ARE RESERVED.		
DRAWN	S. HOWARD	DATE
CHECKED	R. A. A.	DATE
APPROVED		DATE



MAX SABER  
GENERAL DIAGRAM

P.O. BOX 1760 5929 BENTON RD. PADUCAH, KY 42002-1760 PHN: 800-553-4567 FAX: 800-230-9462 HTTP://WWW.AEEC.COM		TOLERANCES		SCALE
DRAWING NO.	101408AD	SHEET	OF	REV.