

Who is Arch Environmental?

\*manufacturer and worldwide distributor of preferred bulk conveyor components since 1975

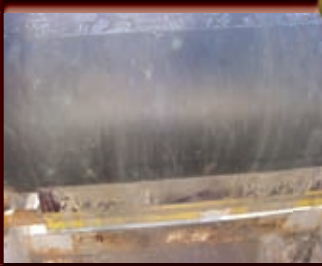
**Mechanical Division**

Belt Cleaners • Belt Alignment • Sealing Systems • Dust Control Systems • Impact/Slider Systems

**Electrical Division**

Belt Scales • Metal Detectors • Pull Cord Switches • Belt Protection Devices • Conveyor Control Systems

\*facilities include a fabrication shop, a CNC machine shop, and state-of-the-art urethane production



Patented *Twister Tensioner*® maintains consistent blade-to-belt pressure and its core is **GUARANTEED FOR LIFE!**

Compact mounting dimensions (only 4 1/2") for all conveyors.

Curved blade is safe on all mechanical splices.

Minimizes safety hazards, conveyor wear-and-tear, and costly cleanup by eliminating carryback.

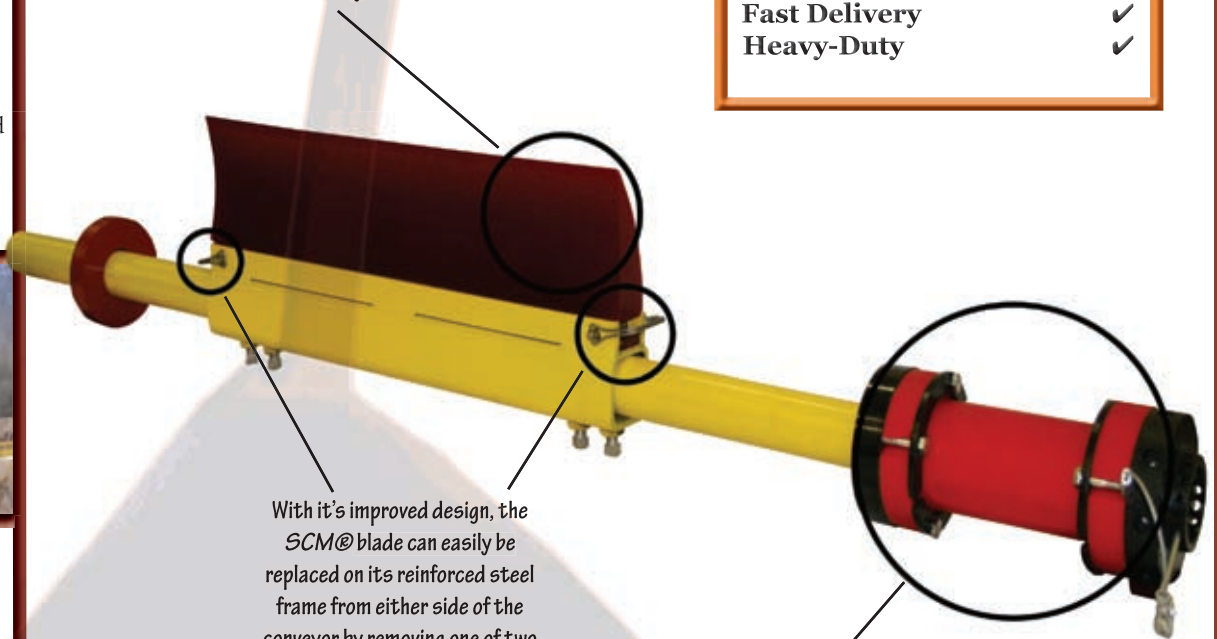
No need for constant re-tensioning.

Multiple blade options include high-temperature, high-moisture, high-speed, and food-grade.

# SABER CHANNEL MOUNT® (SCM) PRIMARY CLEANER

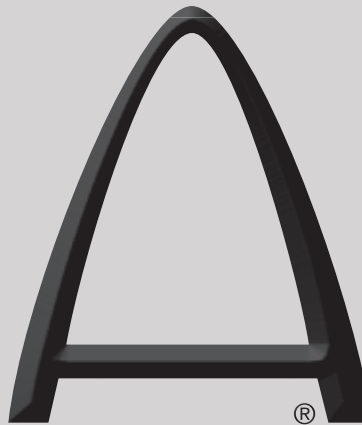
The *Saber Blade*® uses wear-resistant and self-sharpening polyurethane to eliminate harmful carryback before it can do any harm.

EZ Installation ✓  
Low Maintenance ✓  
Splice Safe ✓  
Fast Delivery ✓  
Heavy-Duty ✓



With its improved design, the *SCM*® blade can easily be replaced on its reinforced steel frame from either side of the conveyor by removing one of two locking pins.

As always, Arch's patented *Twister Tensioner*® maintains the perfect blade pressure, making it virtually maintenance-free.



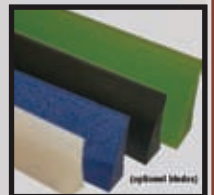
**(Conveying Confidence from Tail to Head)**

**ARCH**  
ENVIRONMENTAL  
EQUIPMENT, INC.

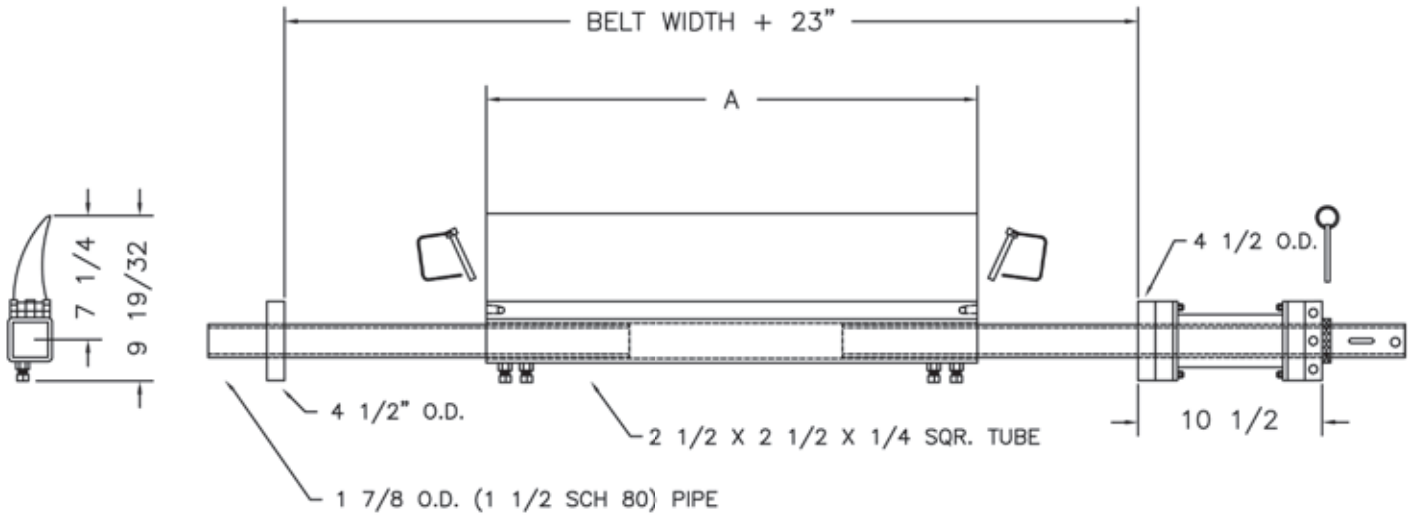
CONVEYOR EFFICIENCY SPECIALISTS

800-553-4567

www.archenv.com



# SABER CHANNEL MOUNT® (SCM) PRIMARY CLEANER



NOTE: IF LONGER SPAN IS REQUIRED, A LONGER MAINFRAME WILL BE REQUIRED (CONSULT THE FACTORY FOR DETAILS)

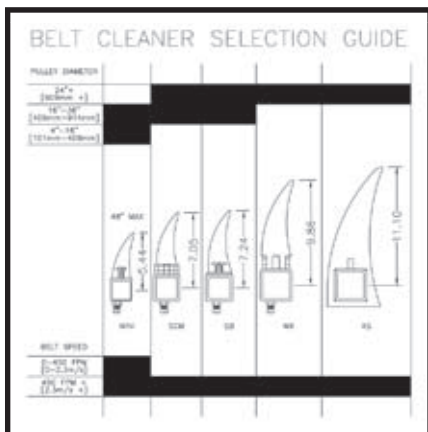
BELT WIDTH	SABER PRIMARY BELT CLEANER	
	A	ORDER #
18	16	MCNCM000180000180TA00100000000
24	22	MCNCM000240000240TA00100000000
30	28	MCNCM000300000300TA00100000000
36	34	MCNCM000360000360TA00100000000
42	40	MCNCM000420000420TA00100000000
48	46	MCNCM000480000480TA00100000000
54	52	MCNCM000540000540TA00100000000
60	58	MCNCM000600000600TA00100000000
66	64	MCNCM000660000660TA00100000000
72	70	MCNCM000720000720TA00100000HPO
84	82	MCNCM000840000840DT00100000HPO
96	94	MCNCM000960000960DT00100000HPO

THE FOLLOWING OPTIONS ARE AVAILABLE:

SS : STAINLESS PIPES  
 SM : SS FRAME  
 HP : HEAVY PIPES (SCH. 160 PIPE)

GZ : GREASE FITTING  
 CB : CERAMIC BLADE  
 XT : HIGH TEMP. BLADE

WH : WHITE BLADE  
 F : FULL BLADE



<b>Standard Blades</b> Red Temp. Range: 180-220°F
<b>High-Moisture Blades</b> Gray Temp. Range: 180-220°F 15%+ Moisture Content
<b>Ceramic Blades</b> Blue High Friction/High Speed 750+ ft./min.
<b>High Temperature Blades</b> Green Temp. Range: up to 300°F
<b>Non-pigment Blade</b> White Same as Standard Red Blades Ideal for color-sensitive material (ie. Borax, Soap, etc.)
<b>Food Grade</b> Natural FDA approved for mild contact with food products



Covered under one or more of the following patents:  
 4,202,437; 4,231,471; 4,436,446; 4,489,823; 4,533,036; 4,779,716; 4,877,125;  
 4,989,727; 5,149,305; 5,222,588; 5,222,589; 5,219,063; 5,350,053; 5,725,083;  
 other patents pending

Note: If available, prices vary with options.