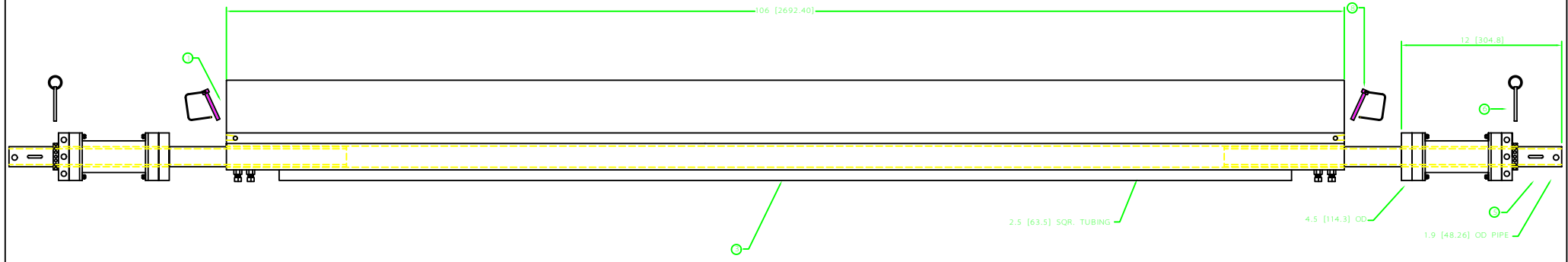
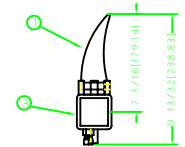


ITEM	QTY.	DESCRIPTION	PART NUMBER
1	1	CHANNEL MOUNT SABER BLADE	MCBMC001080001
2	0	OPPOSITE SIDE SUPPORT PIN	OMIT
3	1	CHANNEL MOUNT MAINFRAME	MCRCM0010800010800000
4	2	URETHANE TENSIONER	MCRTRD00200
5	2	TENSIONER SIDE SUPPORT	MCRPTP03200
6	1	SHEAR PIN	MCRRIPO000NO
7	0	WELD COLLAR	OMIT
8	2	BLADE PIN	MCRBBP000NO



THIS DRAWING IS THE SOLE PROPERTY OF ARCH ENVIRONMENTAL EQUIPMENT INC., AND MUST BE USED ONLY IN CONNECTION TO WORK ASSOCIATED WITH ARCH ENVIRONMENTAL EQUIPMENT INC. ALL RIGHTS OF DESIGN OR INVENTION ARE RESERVED.

DRAWN:	S.HOWARD	DATE:	
CHECKED:	G.K.W.	DATE:	
APPROVED:	N.F.A.	DATE:	

ARCH
ENVIRONMENTAL EQUIPMENT, INC.

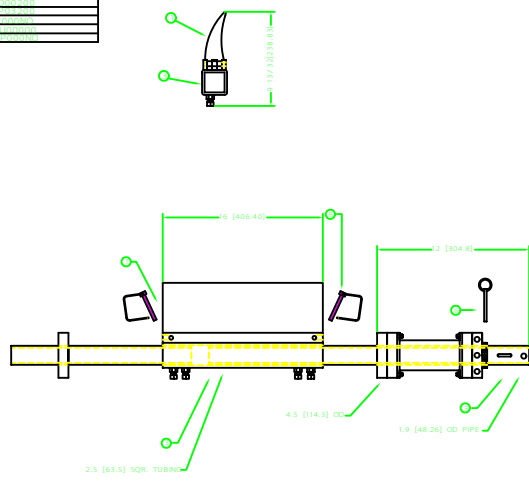
P.O. BOX 1760
5929 BENTON RD.
PADUCAH, KY 42002-1760
PHN: 800-553-4567
FAX: 800-230-9462
HTTP://WWW.AEEC.COM

**CHANNEL MOUNTED SABER
PRIMARY CLEANER
SCM - 108 - DT**

TOLERANCES	SCALE
JOB No.	DRAWING NO.
SHEET	OF
REV.	

ITEM	QTY	DESCRIPTION	PART NUMBER
1	1	CHANNEL MOUNT SABER BLADE	MNCM000180001
2	1	SPRINKLER TUBE SUPPORT PIPE	MCN020101000
3	1	CHANNEL MOUNT CLEANER PUMP	MCN020101000
4	1	SPRINKLER TUBE SUPPORT PIPE	MCN020101000
5	1	CHANNEL MOUNT CLEANER PUMP	MCN020101000
6	1	SPRINKLER TUBE SUPPORT PIPE	MCN020101000
7	1	CHANNEL MOUNT CLEANER PUMP	MCN020101000
8	1	SPRINKLER TUBE SUPPORT PIPE	MCN020101000

A CE 111407 CHANGED LAYERS

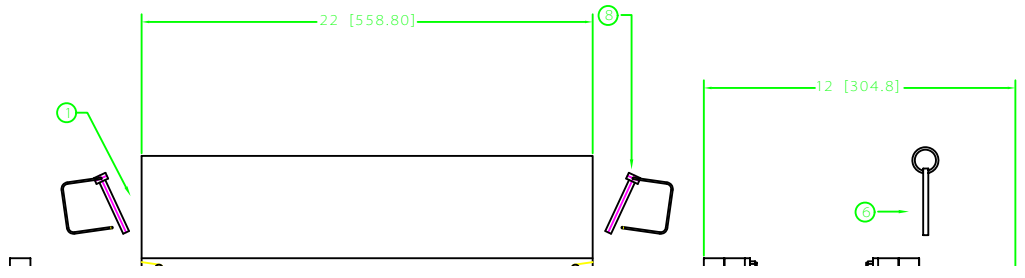
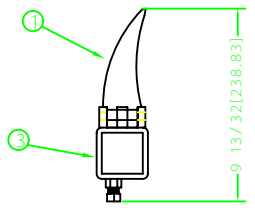


FILENAME: 10416

<p>THIS DRAWING IS THE SOLE PROPERTY OF ARCH ENGINEERING. ANY REPRODUCTION OR USE OF THIS DRAWING WITHOUT THE WRITTEN PERMISSION OF ARCH ENGINEERING IS STRICTLY PROHIBITED. ALL RIGHTS ARE RESERVED OR WILL BE SO RELEASED.</p>	<p>ARCH ENGINEERING</p>	<p>200-800-7850 1022 83707th St. P.O. BOX 127 80047-1207 FAX: 800-333-4467 E-MAIL: ARCH@ARCH-ENG.COM</p>
		<p>CHANNEL MOUNTED SABER PRIMARY CLEANER MNCM00018000180TAG01000000</p>

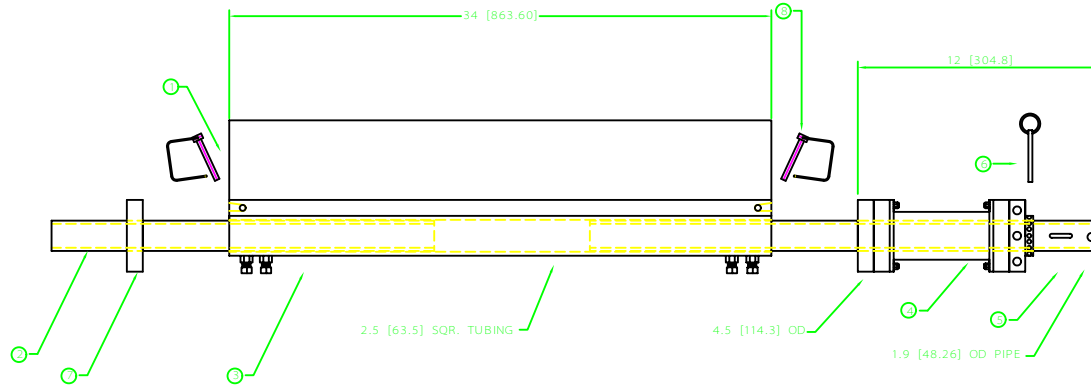
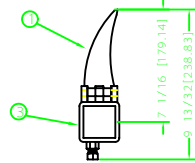
	PART NUMBER
BLADE	MRBCM000240001
PIPE	MCRPSU02400
AME	MERC M0002400002400000
	MCRTRD00200
PIPE	MCRPTP03200
	MCRRIPO00NO
	MCRHSU00000
	MCRBBP000NO

A	CF	111407	CHANGED LAYERS
---	----	--------	----------------



ITEM	QTY	DESCRIPTION	PART NUMBER
1	1	CHANNEL MOUNT SABER BLADE	MRBCM000360001
2	1	OPPOSITE SIDE SUPPORT PIPE	MCRPSU02400
3	1	CHANNEL MOUNT MAINFRAME	MFCM0003600003600000
4	1	URETHANE TENSIONER	MCRTD00200
5	1	TENSIONER SIDE SUPPORT PIPE	MCRTP03200
6	1	SHEAR PIN	MCRBP000NO
7	1	WELD COLLAR	MCRHSU000NO
8	2	BLADE PIN	MCRBP000NO

A	CF	111507	CHANGED LAYERS
B	RSH	043008	ADDED PART #S



MCNCM000360000360TA00000000000

THIS DRAWING IS THE SOLE PROPERTY OF ARCH ENVIRONMENTAL EQUIPMENT, INC. AND MUST BE USED ONLY IN CONNECTION TO WORK ASSOCIATED WITH ARCH ENVIRONMENTAL EQUIPMENT, INC. ALL RIGHTS OF DESIGN OR INVENTION ARE RESERVED.



P.O. BOX 1760
5929 BENTON RD.
PADUCAH, KY 42002-1760
PHONE: 800-553-4567
FAX: 800-230-9462
HTTP://WWW.AEEC.COM

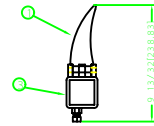
DESIGN	DATE
S. HOWARD	
CHECKED	DATE
G.K.W.	
APPROVED	DATE
N.F.A.	

CHANNEL MOUNTED SABER
PRIMARY CLEANER
SCM - 36 - TA

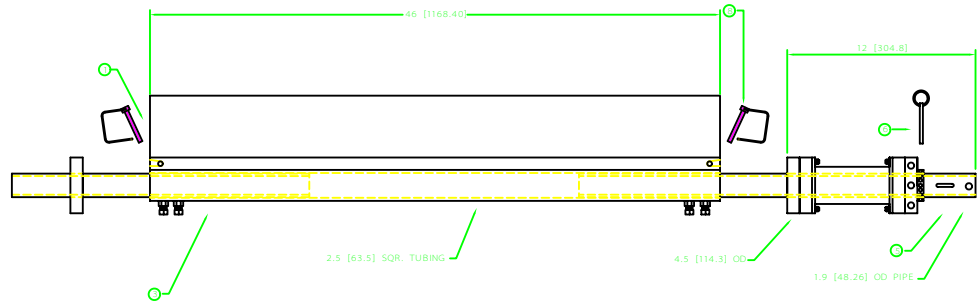
TOLERANCES	SCALE
DRAWING NO.	REV.
1127020	B
SHEET	OF

ITEM	QTY	DESCRIPTION	PART NUMBER
1	1	CHANNEL MOUNT SABER BLADE	MRBCM000480001
2	1	OPPOSITE SIDE SUPPORT PIPE	MRPSS002400
3	1	CHANNEL MOUNT MAINFRAME	MRMCM004800004800000
4	1	URETHANE TENSIONER	MRBTB00200
5	1	TENSIONER SIDE SUPPORT PIPE	MRBTS003200
6	1	SHEAR PIN	MRBSP00000
7	1	WELD COLLAR	MRBWC00000
8	2	BLADE PIN	MRBRP00000

A | CF | 111507 | CHANGED LAYERS

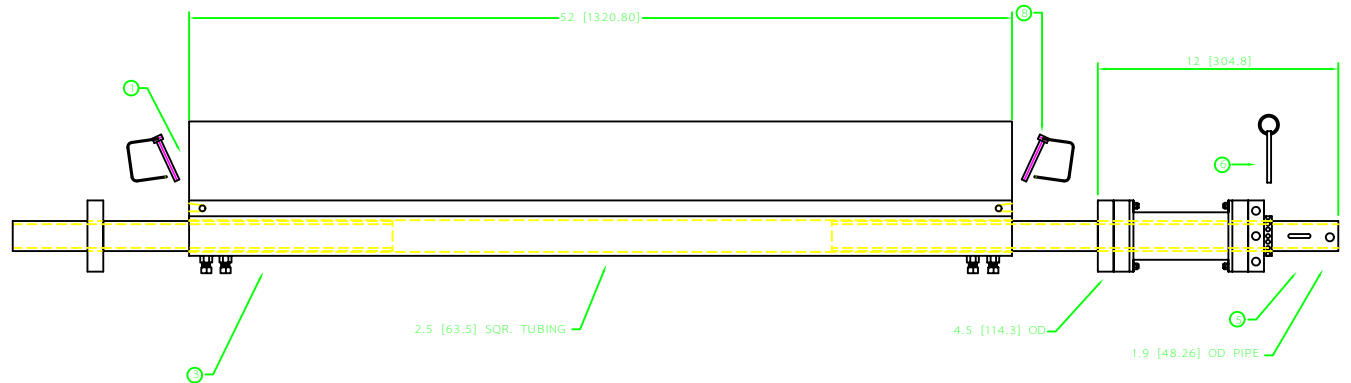
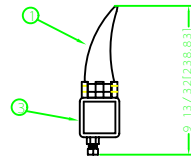


HUB AND TENSIONER NOT SHOWN
IN END VIEW FOR CLARITY



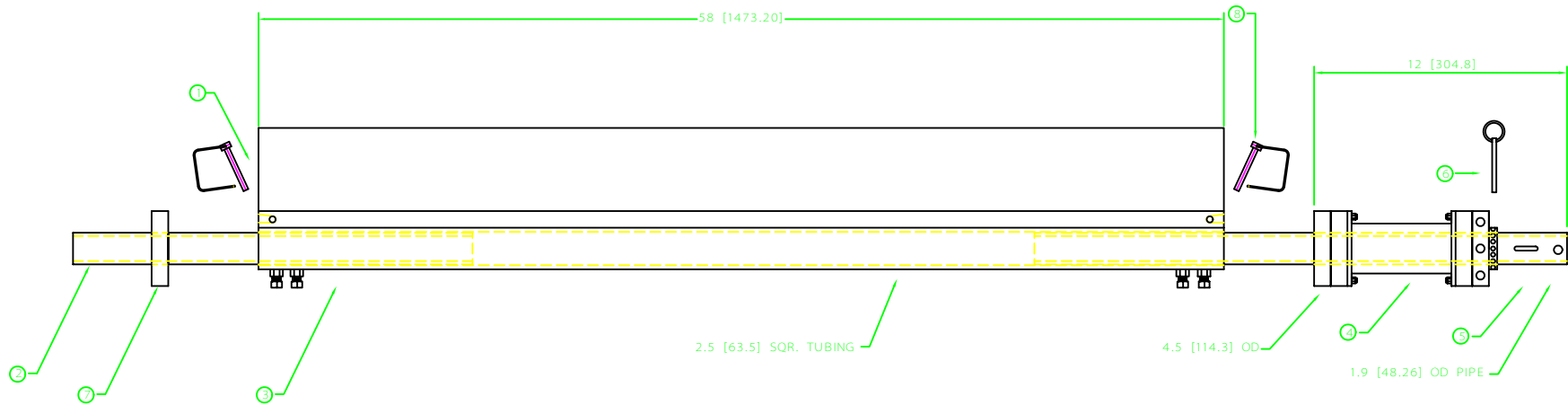
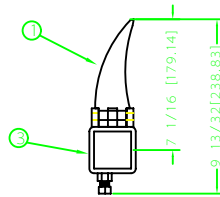
ITEM	QTY	DESCRIPTION	PART NUMBER
1	1	CHANNEL MOUNT SABER BLADE	MRBCM000540001
2	1	OPPOSITE SIDE SUPPORT PIPE	MCRFSU02400
3	1	CHANNEL MOUNT MAINFRAME	MFRGM0005400005400000
4	1	URETHANE TENSIONER	MCRTRD00200
5	1	TENSIONER SIDE SUPPORT PIPE	MCRTP03200
6	1	SHEAR PIN	MCRRIPO0000
7	1	WELD COLLAR	MCRHSU00000
8	2	BLADE PIN	MCRBBP00000

A CF 111507 CHANGED



ITEM	QTY	DESCRIPTION	PART NUMBER
1	1	CHANNEL MOUNT SABER BLADE	MRBCM000600001
2	1	OPPOSITE SIDE SUPPORT PIPE	MCRPSU02400
3	1	CHANNEL MOUNT MAINFRAME	MFRCM0006000006000000
4	1	URETHANE TENSIONER	MCBTRD00300
5	1	TENSIONER SIDE SUPPORT PIPE	MCBTP03200
6	1	SHEAR PIN	MCBRIP000NO
7	1	WELD COLLAR	MCBHSU00000
8	2	BLADE PIN	MCBRBP000NO

A | CF | 111507 | CHANGED LAYERS



FILENAME= SCM60

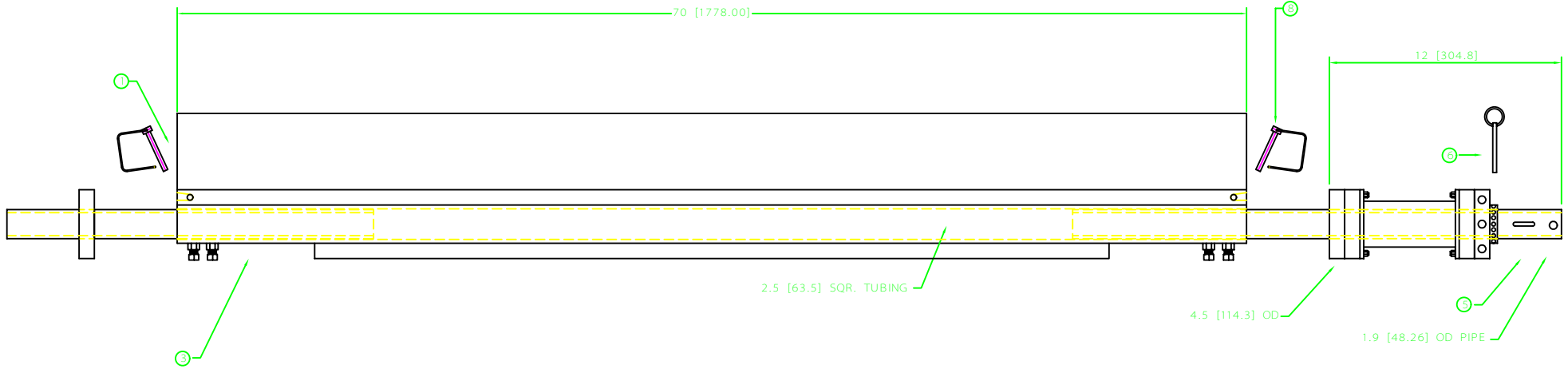
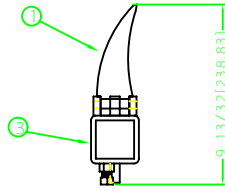
THIS DRAWING IS THE SOLE PROPERTY OF ARCH ENVIRONMENTAL EQUIPMENT INC. AND MUST BE USED ONLY IN CONNECTION TO WORK ASSOCIATED WITH ARCH ENVIRONMENTAL EQUIPMENT INC. ALL RIGHTS OF DESIGN OR INVENTION ARE RESERVED.

DRAWN	S.HOWARD	DATE
CHECKED	G.K.W.	DATE
APPROVED	N.F.A.	DATE

	P.O. BOX 1760 5929 BENTON RD. PADUCAH, KY 42002-1760 PHN: 800-533-4567 FAX: 800-230-9462 HTTP://WWW.AEEC.COM	
	CHANNEL MOUNTED SABER PRIMARY CLEANER SCM-60-TA	TOLERANCES SCALE
JOB NO: DRAWING NO: SHEET OF REV:	102497A	

ITEM	QTY.	DESCRIPTION	PART NUMBER
1	1	CHANNEL MOUNT SABER BLADE	MBRBCM000720001
2	1	OPPOSITE SIDE SUPPORT PIPE	MCRPSU024HD
3	1	CHANNEL MOUNT MAINFRAME	MFCM0007200007200000
4	1	URETHANE TENSIONER	MCRTRD00300
5	1	TENSIONER SIDE SUPPORT PIPE	MCRPTP032HD
6	1	SHEAR PIN	MCRRP000NO
7	1	WELD COLLAR	MCRHSU00000
8	2	BLADE PIN	MCRBBP000NO

A | CF | 111507 | CHANGED LAYERS



FILENAME= SCM72H

THIS DRAWING IS THE SOLE PROPERTY OF ARCH ENVIRONMENTAL EQUIPMENT INC., AND MUST BE USED ONLY IN CONNECTION TO WORK ASSOCIATED WITH ARCH ENVIRONMENTAL EQUIPMENT INC. ALL RIGHTS OF DESIGN OR INVENTION ARE RESERVED.



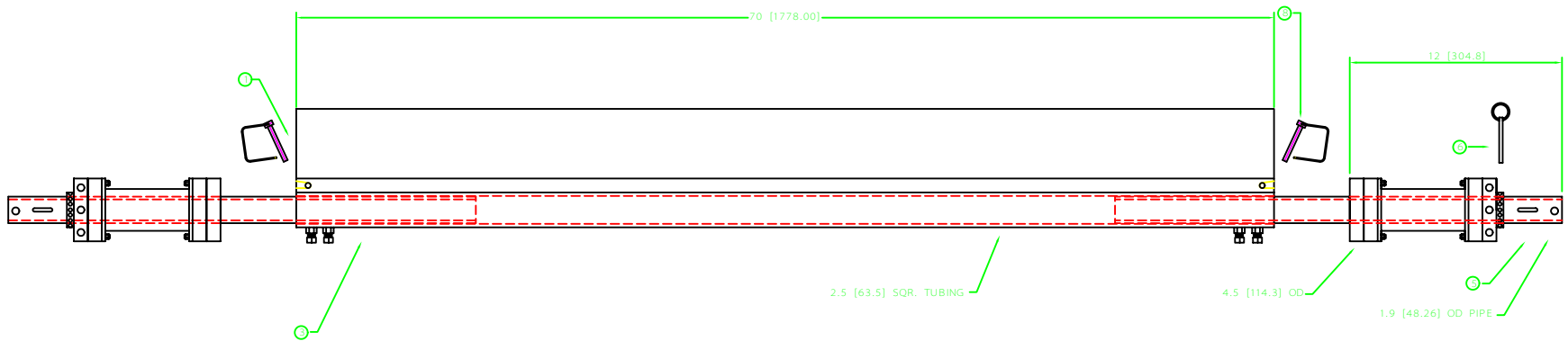
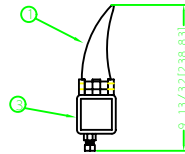
P.O. BOX 1760
5929 BENTON RD.
PADUCAH, KY 42002-1760
PHN: 800-553-4567
FAX: 800-230-9462
HTTP://WWW.AEEC.COM

DRAWN:	S. HOWARD	DATE:	
CHECKED:	G. K. W.	DATE:	
APPROVED:	N. F. A.	DATE:	

CHANNEL MOUNTED SABER
PRIMARY CLEANER
SCM - 72 - TA - H

TOLERANCES:	SCALE:	
JOB No:	DRAWING No:	
SHEET	OF	REV.

ITEM	QTY.	DESCRIPTION	PART NO.
1	1	CHANNEL MOUNT SABER BLADE	SCM-016-72
2	0	OMIT	OMIT
3	1	CHANNEL MOUNT MAINFRAME	SCM-015-72
4	1	URETHANE TENSIONER	GT-017-3
5	2	TENSIONER SIDE SUPPORT PIPE	GP-019-32
6	2	SHEAR PIN	GSR-600-1A
7	0	OMIT	OMIT
8	2	BLADE PIN	SB-018-1-SS



MCNCM00072000720DT0010000HP0

THIS DRAWING IS THE SOLE PROPERTY OF ARCH ENVIRONMENTAL EQUIPMENT INC. AND MUST BE USED ONLY IN CONNECTION TO WORK ASSOCIATED WITH ARCH ENVIRONMENTAL EQUIPMENT INC. ALL RIGHTS OF DESIGN OR INVENTION ARE RESERVED.



P.O. BOX 1760
5929 BENTON RD.
PADUCAH, KY 42002-1760
PHN: 800-553-4567
FAX: 800-230-9462
HTTP://WWW.ABEEC.COM

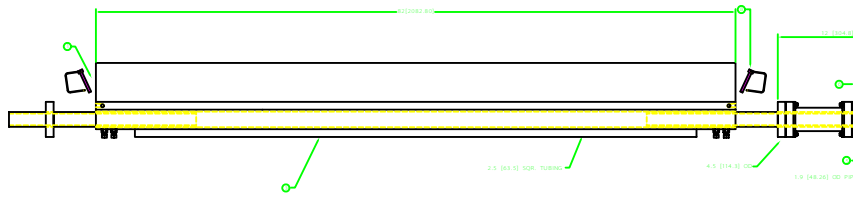
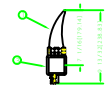
DRAWN	S.HOWARD	DATE
CHECKED	G.K.W.	DATE
APPROVED	N.F.A.	DATE

CHANNEL MOUNTED SABER
PRIMARY CLEANER
SCM-72-TA-DT

REV	NO.	DRAWING NO.
10	1	102999B
SHEET	OF	REV.

ITEM	QTY	DESCRIPTION	PART NO.
		CHANNEL MOUNT SABER BLADE	SCM-AB-244
		SCHEMATIC PART NUMBER	SCM-AB-244
		DESCRIPTION	SCM-AB-244
		REVISION	SCM-AB-244
		DATE	SCM-AB-244
		BY	SCM-AB-244
		CHECKED	SCM-AB-244
		APPROVED	SCM-AB-244

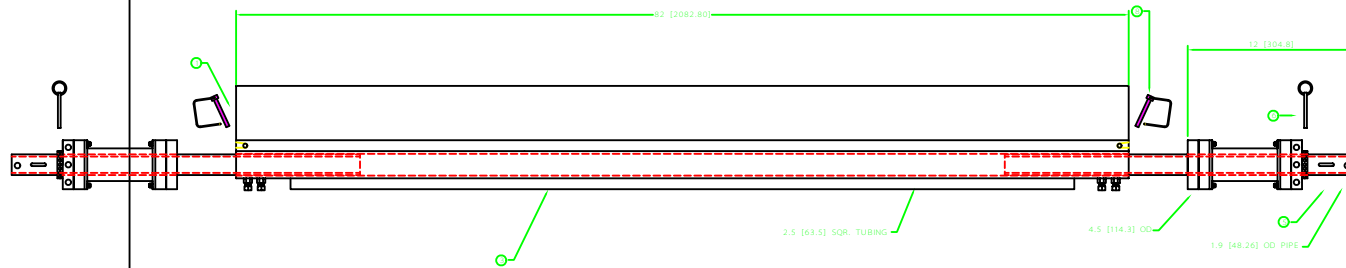
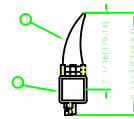
11507



<small>FOR INFORMATION ONLY - THIS DRAWING IS NOT A CONTRACT DOCUMENT. THE CONTRACT DOCUMENTS SHALL GOVERN OVER THIS DRAWING. THIS DRAWING IS NOT TO BE USED FOR CONSTRUCTION. THIS DRAWING IS NOT TO BE USED FOR CONSTRUCTION. THIS DRAWING IS NOT TO BE USED FOR CONSTRUCTION.</small>			P&ID: 01
CHANNEL MOUNTED SABER PRIMARY CLEANER SCM-84-TA-14			
DATE:	REV:		
11/11/2011	01		

11507-01

ITEM	QTY.	DESCRIPTION	PART NO.
1	1	CHANNEL MOUNT SABER BLADE	SCM-016-72
2	1	OPPOSITE SIDE SUPPORT PIPE	OMT
3	1	CHANNEL MOUNT MAINFRAME	SCM-015-72
4	2	ONE FRAME TENSIONER	GP-012-3
5	2	TENSIONER SIDE SUPPORT PIPE	GP-015-32-H
6	1	SHEAR PIN	ASR-800-1A
7	1	WELD COLLAR	OMT
8	2	BLADE PIN	SR-018-11-SS



FILENAME = SCM72DT

		400 BISHOP RD. PADUCAH, KENTUCKY 42002-2422 TEL: 800-251-4227 FAX: 800-251-9482	
CHANNEL MOUNTED SABER PRIMARY CLEANER SCM-72-DT	DRAWN BY: S. HOWARD CHECKED BY: G. W. APPROVED BY: W. A.	REVISIONS DATE REVISION NO. APPROVED BY	DATE BY

ITEM	DESCRIPTION	PART NUMBER
1	HANDLE FRONT CASE BLK	00000000000000000000
2	HANDLE FRONT CASE BLK	00000000000000000000
3	HANDLE FRONT CASE BLK	00000000000000000000
4	HANDLE FRONT CASE BLK	00000000000000000000
5	HANDLE FRONT CASE BLK	00000000000000000000
6	HANDLE FRONT CASE BLK	00000000000000000000
7	HANDLE FRONT CASE BLK	00000000000000000000
8	HANDLE FRONT CASE BLK	00000000000000000000
9	HANDLE FRONT CASE BLK	00000000000000000000
10	HANDLE FRONT CASE BLK	00000000000000000000

A CF 111507 CHANGED LAYERS

