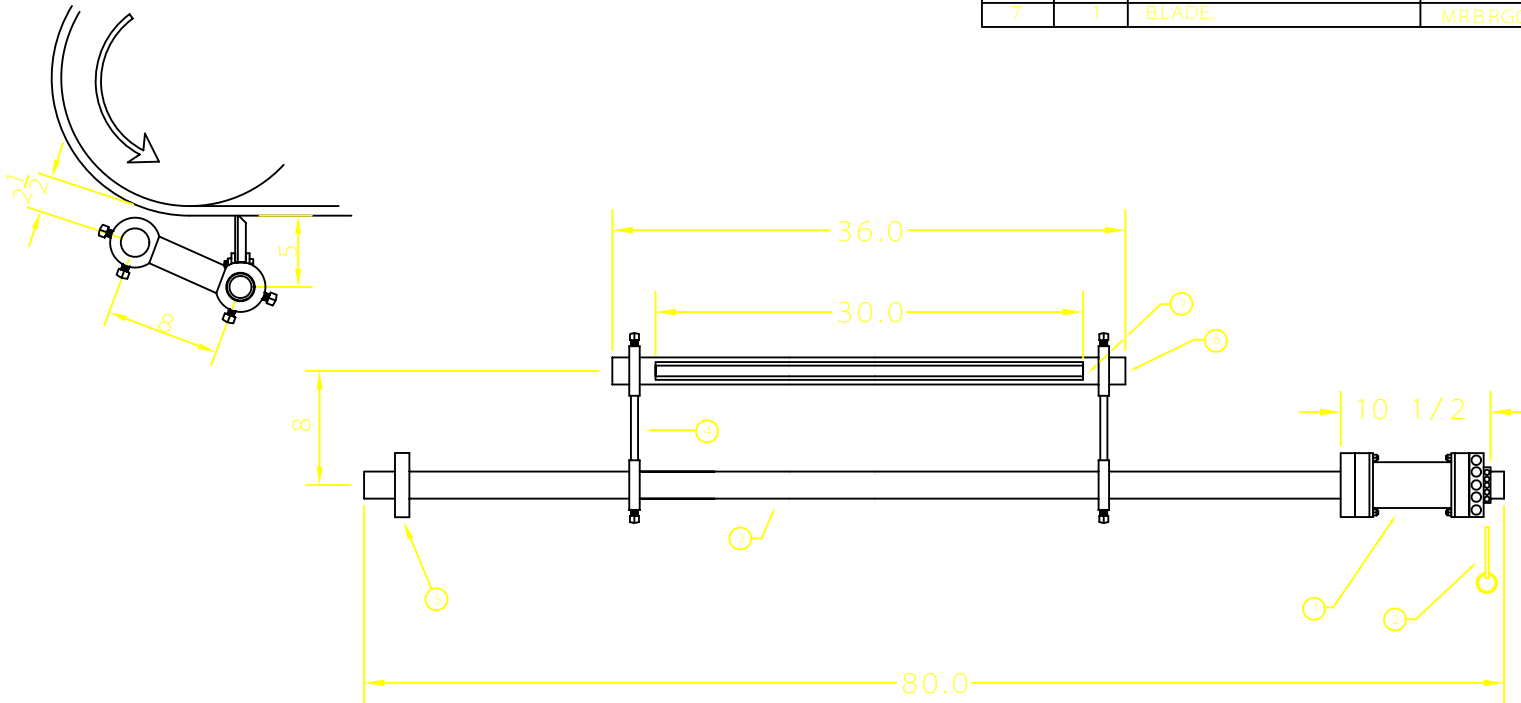


FILENAME = SC24mb
 PLOTSCALE = 1=4

DRAWN:	S. HOWARD	DATE:	
CHECKED:	G. K. W.	DATE:	
APPROVED:	J. P. S.	DATE:	
SCALE:		JOB NO.:	

ARCH ENVIRONMENTAL EQUIP., INC.			
RGS SECONDARY			
SC - 24 - TA - MB (OLD PART#)			
MCNRG00024F000024FTA0000MB0			
DRAWING NO.:	111003AA	SHEET	OF
REV.:	A		

ITEM	QTY.	DESCRIPTION	PART NUMBER
1	1	GORDON TWIST TENSIONER	MCRTRD00200
2	1	TENSIONER PIN	MCRBIP000NO
3	1	TENSIONER PIPE	MCRPTP08000
4	2	PIVOT ARM	PA-014-8-AL
5	1	WELD COLLAR	MCRHSU00000
6	1	MAINFRAME	MFBRG00030F00030F000
7	1	BLADE	MRBRG00030FMB0



THIS DRAWING IS THE SOLE PROPERTY OF ARCH ENVIRONMENTAL EQUIPMENT, INC. AND MUST BE USED ONLY IN CONNECTION TO WORK ASSOCIATED WITH ARCH ENVIRONMENTAL EQUIPMENT, INC. ALL RIGHTS OF DESIGN OR INVENTION ARE RESERVED.

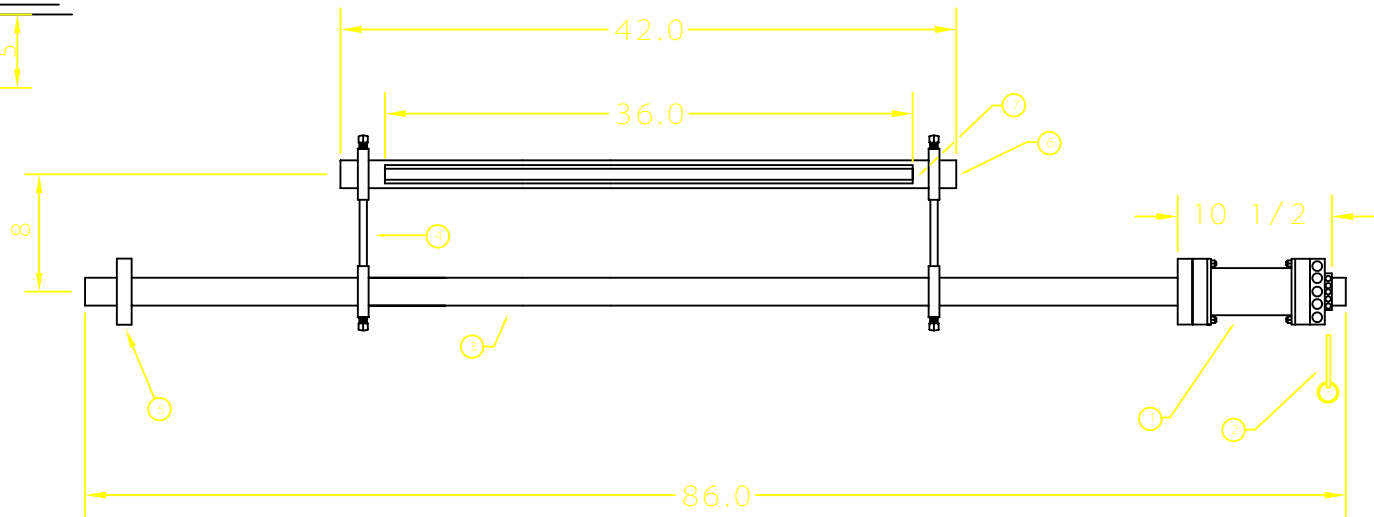
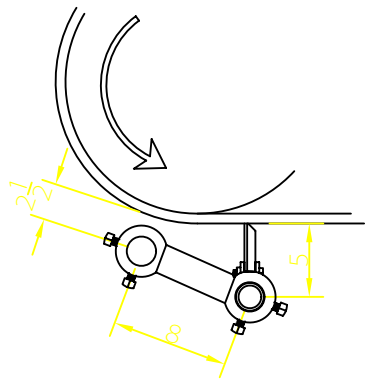


P.O. BOX 1760
5929 BENTON RD.
PADUCAH, KY 42002-1760
PHN: 800-553-4567
FAX: 800-230-9462
HTTP://WWW.AEEC.COM

DRAWN:	S.HOWARD	DATE:	
CHECKED:	G.K.W.	DATE:	
APPROVED:	N.F.A.	DATE:	

RGS METAL SECONDARY
RGS 30 TA

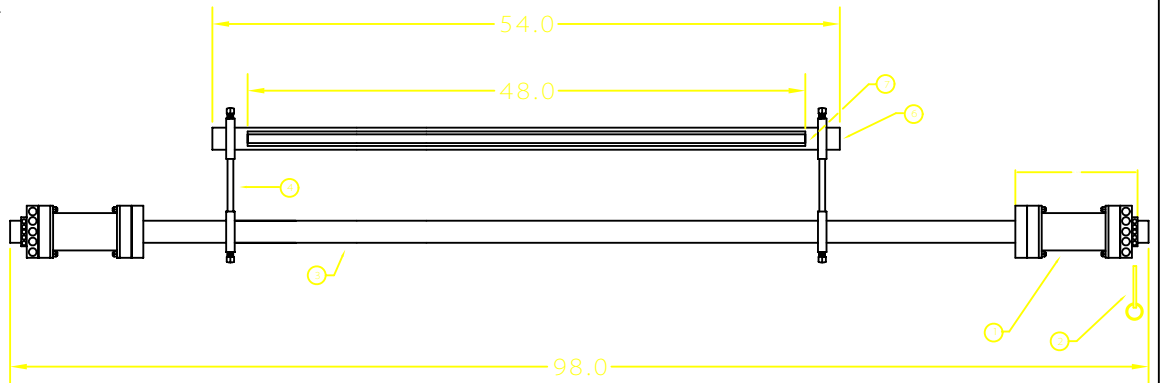
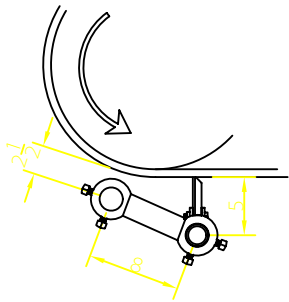
TOLERANCES:	SCALE:
JOB NO:	DRAWING NO:
	05060300
SHEET:	OF:
	1



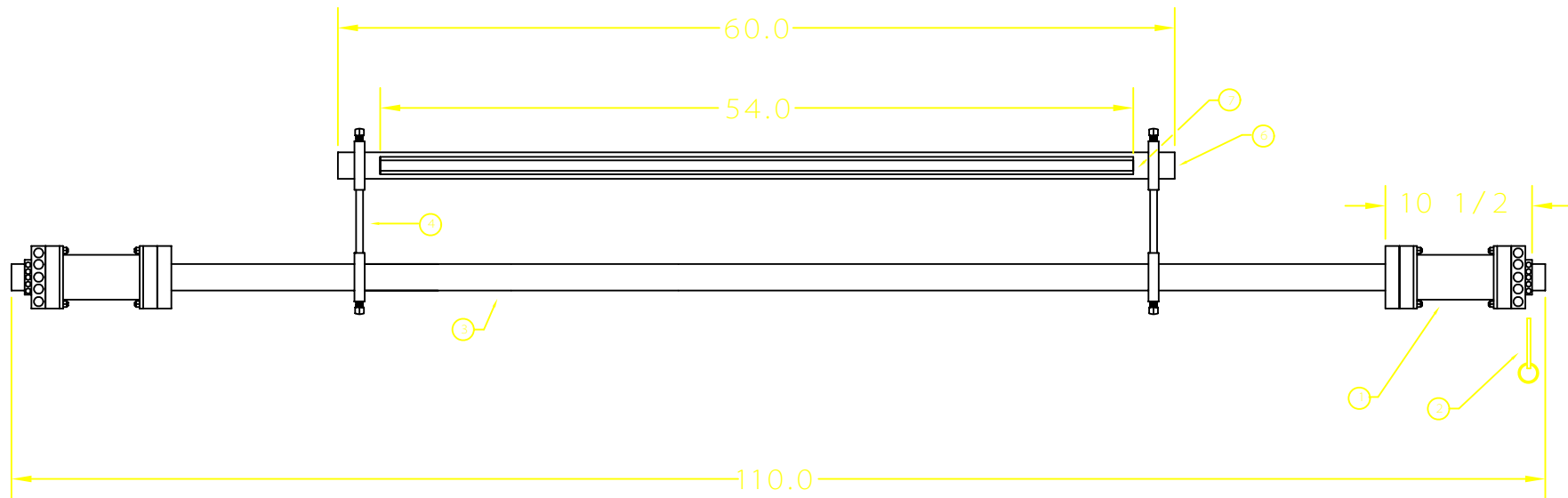
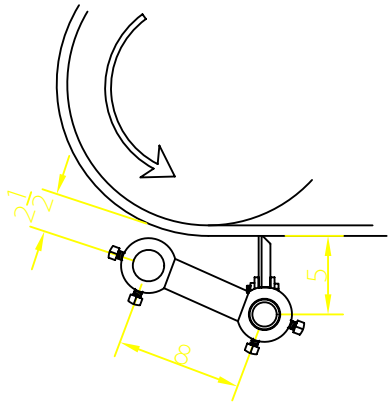
FILENAME = RGS36TA
 PLOTSCALE = 1=4

DRAWN:	SHEWARD	DATE:	
CHECKED:	G.K.W.	DATE:	
APPROVED:	M.S.A.	DATE:	
SCALE:	JOB No:	DRAWING No:	031207AB

ARCH ENVIRONMENTAL EQUIP., INC.	
METAL BLADE MCNRG00036F00036FTAMB00000000 SECONDARY CLEANER	
SHEET	OF
REV:	A



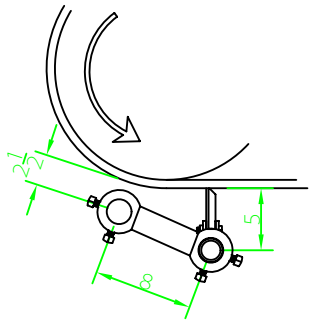
ARCH ENVIRONMENTAL EQUIP., INC.			
GORDON			
MCNRG00048F00048FDTMBN00000000			
SECONDARY CLEANER			
DRAWN: S. SOROKO/RS	DATE:		
CHECKED: C. K. W.	DATE:		
APPROVED: D. E. A.	DATE:		
SCALE:	DWG. NO.:	DRAWING NO. 048F00048F	SHEET 01
			REV



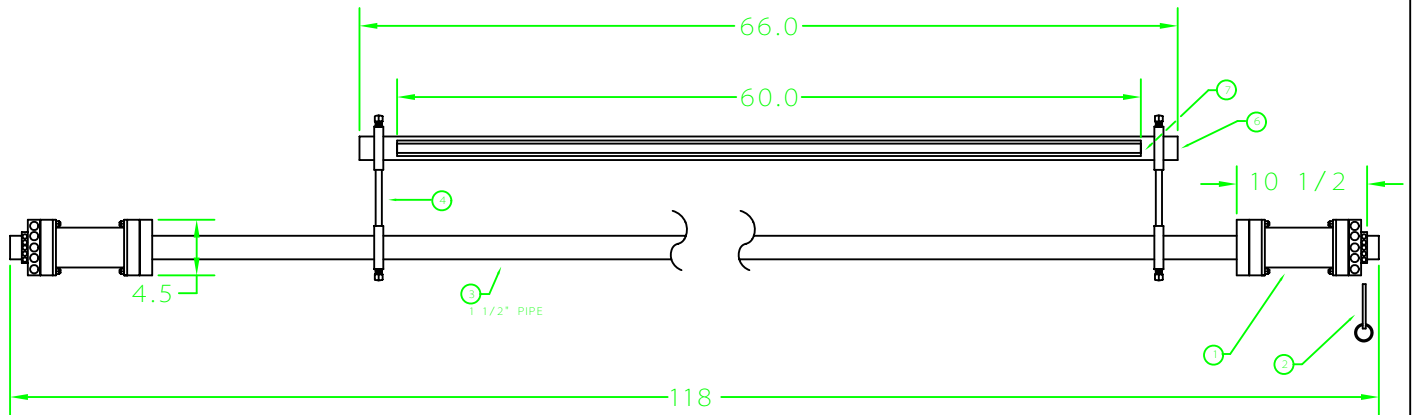
DRAWN:	S.HOWARD	DATE
CHECKED:	G.R.W.	DATE
APPROVED:	N.F.A.	DATE
SCALE	JOB No.	DRAWING NO.

ARCH ENVIRONMENTAL EQUIP., INC.		
GORDON MCNRG00054F00054FDTMBN00000000 SECONDARY CLEANER		
DRAWING NO.	SHEET	REV.
040907AA	OF	A

ITEM	QTY	DESCRIPTION	PART NUMBER
1	2	URETHANE TENSIONER	MCRTBD00300
2	2	SHEAR PIN	MCRTIP00000
3	1	TENSIONER PIPE	MCRTIP118HD
4	2	PIVOT ARM	PA-014-8
5	0	OMIT	OMIT
6	1	RGS MAINFRAME	MFRRG00060F00060F0000
7	1	RGS METAL BLADE	MRRRG00060FMB1



0707-304
BFC1 FEEDER



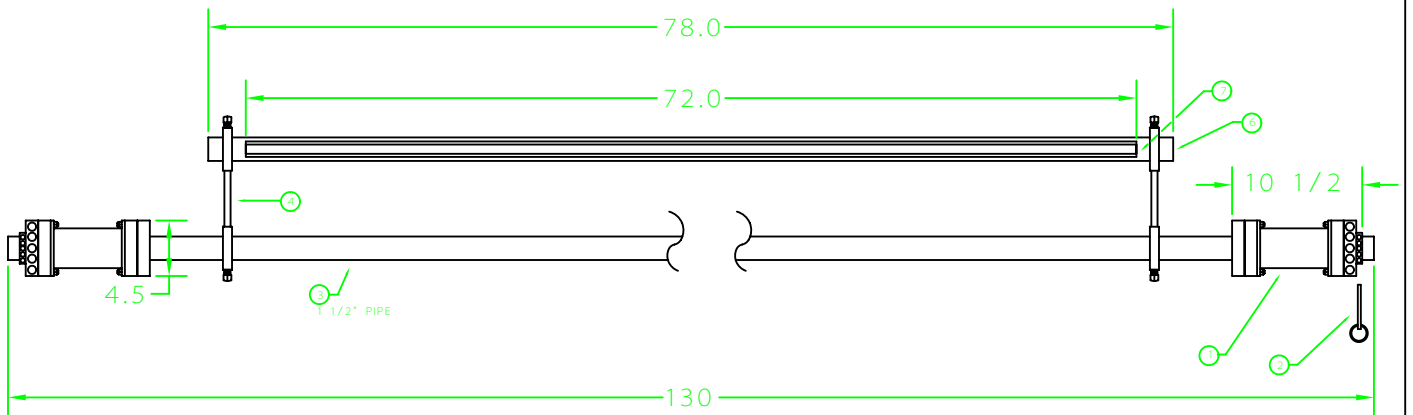
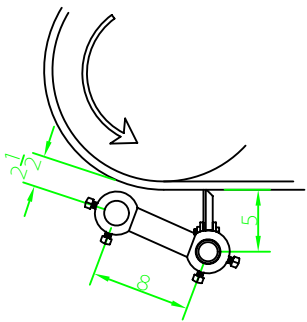
MCNRG00060F00060FDTMBN00000HPC

ARCH ENVIRONMENTAL EQUIP., INC.

GORDON
RGS
SECONDARY CLEANER

DESIGNED: S. HOWARD	DATE:		
CHECKED: G. K. W.	DATE:		
APPROVED: B. A. A.	DATE:		
SCALE:	DR. NO.:	DRAWING NO. 0327070A	SHEET 01

ITEM	QTY.	DESCRIPTION	PART NUMBER
1	2	URETHANE TENSIONER	MCRTRD00300
2	2	SHEAR PIN	MCRRIP000NO
3	1	TENSIONER PIPE	MCRRTP130HD
4	2	PIVOT ARM	PA-014-8
5	0	OMIT	OMIT
6	1	RGS MAINFRAME	MFRRG00072F00072F0000
7	1	RGS METAL BLADE	MRRRG00072FMB1



MCNRG00072F00072FDTMBN00000HPC

ARCH ENVIRONMENTAL EQUIP., INC.

GORDON
RGS
SECONDARY CLEANER

DRAWN: S. HOWARD	DATE			
CHECKED: G. K. W.	DATE			
APPROVED: N.E.A.	DATE			
SCALE	DWG. NO.	DRAWING NO.	SHEET	REV.
		05250608		