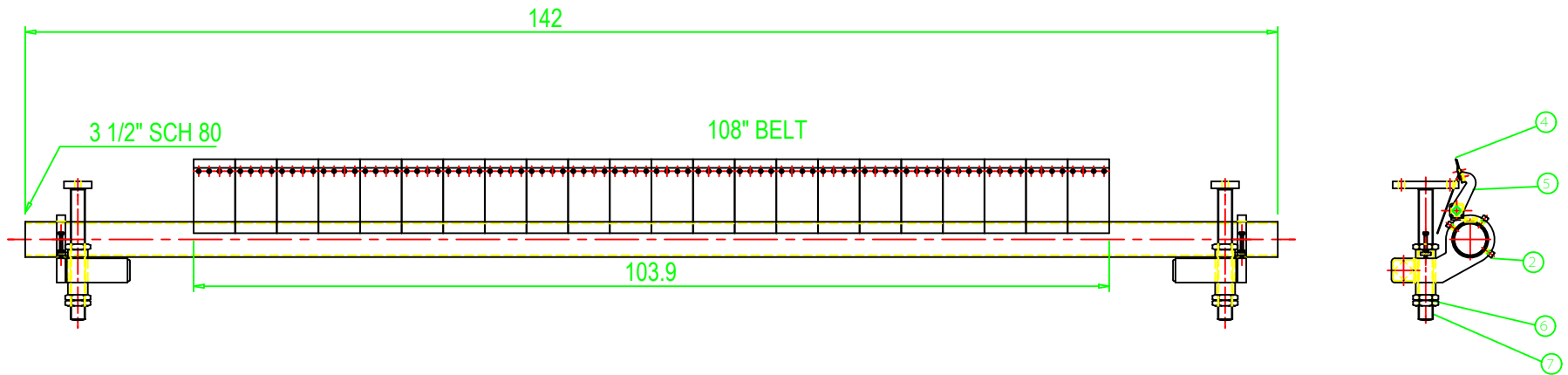


ITEM	QTY	DESCRIPTION	PART#
1	0	OMIT	OMIT
2	2	#4 TORSION MOUNT	BMS-017-4 R(L)
3	1	MAIN FRAME / SHAFT	BMS-015-108-HD
4	22	BMS BLADE	BMS-016-**
5	22	STANDARD BLADE HOLDER	BMS-014-HD
6	6	SPINDLE NUT	BMS-018-42
7	2	MOUNTING SPINDLE	BMS-010-42

BLADE MATERIALS AVAILABLE:  
 C10 - TOOL STEEL  
 TC - TUNGSTEN CARBIDE  
 TS - SINTERED TUNGSTEN  
 3T - HIGH GRADE TUNGSTEN



\*\* : BLADE MATERIAL

DRAWN: S.HOWARD	DATE:
CHECKED: S.HOWARD	DATE:
APPROVED: N.F.A.	DATE:



ARCH  
 ENVIRONMENTAL  
 EQUIPMENT, INC.

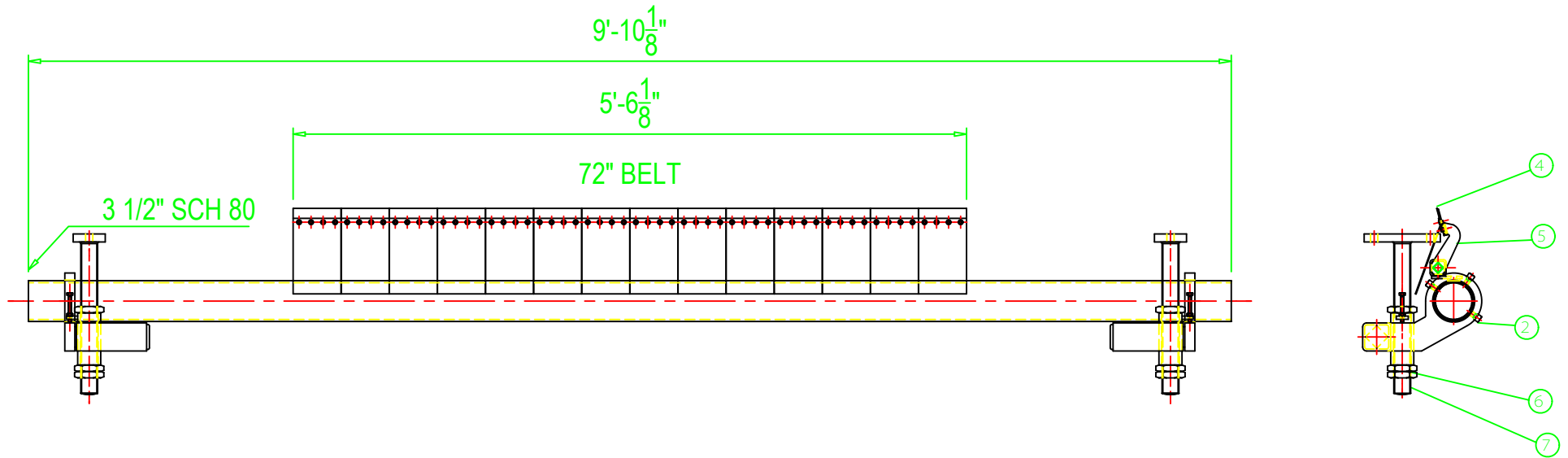
P.O. BOX 2422  
 5929 BENTON RD.  
 PADUCAH, KENTUCKY 42002-2422  
 PHN: 800-553-4567  
 FAX: 800-230-9462

108" BELT WIDTH  
 HEAVY DUTY

TOLERANCES	SCALE
JOB NO.	DRAWING NO.
SHEET	OF
REV.	

ITEM	QTY	DESCRIPTION	PART#
1	0	OMIT	OMIT
2	2	#4 TORSION MOUNT	BMS-017-4 R(L)
3	1	MAIN FRAME / SHAFT	BMS-015-72-HD
4	14	BMS BLADE	BMS-016-**
5	14	STANDARD BLADE HOLDER	BMS-014-HD
6	6	SPINDLE NUT	BMS-018-42
7	2	MOUNTING SPINDLE	BMS-010-42

BLADE MATERIALS AVAILABLE:  
 C10 - TOOL STEEL  
 TC - TUNGSTEN CARBIDE  
 TS - SINTERED TUNGSTEN  
 3T - HIGH GRADE TUNGSTEN



\*\* : BLADE MATERIAL

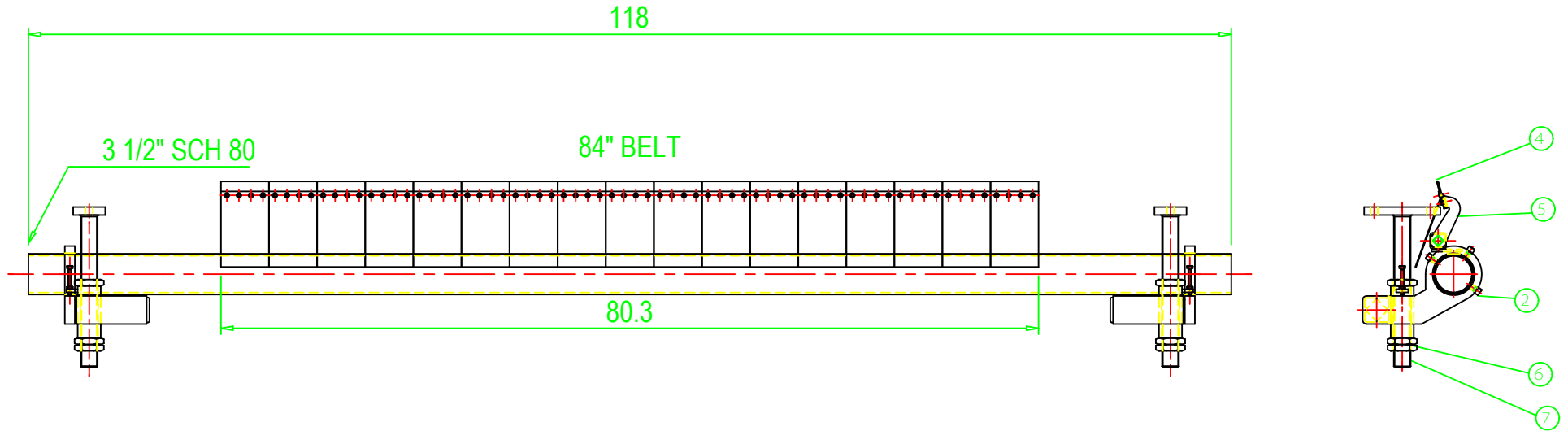
FILENAME= HD72

<small>THIS DRAWING IS THE SOLE PROPERTY OF ARCH ENVIRONMENTAL EQUIPMENT, INC. AND MUST BE USED ONLY IN CONNECTION WITH THE PRODUCTS AND SERVICES PROVIDED BY ARCH ENVIRONMENTAL EQUIPMENT, INC. TO THE PURCHASER OF SUCH PRODUCTS AND SERVICES.</small>	
DRAWN:	S. HOWARD
CHECKED:	S. HOWARD
APPROVED:	N.F.A.

	P.O. BOX 2422 5929 BENTON RD. PADUCAH, KENTUCKY 42002-2422 PHN: 800-553-4567 FAX: 800-230-9462
	<b>72" BLADE          HEAVY DUTY</b>
TOLERANCES JOB No.	SCALE DRAWING NO. 9270-4AD
SHEET OF	REV.

ITEM	QTY	DESCRIPTION	PART#
1	0	OMIT	OMIT
2	2	#4 TORSION MOUNT	BMS-017-4 R(L)
3	1	MAIN FRAME / SHAFT	BMS-015-84-HD
4	17	BMS BLADE	BMS-016-**
5	17	STANDARD BLADE HOLDER	BMS-014-HD
6	6	SPINDLE NUT	BMS-018-42
7	2	MOUNTING SPINDLE	BMS-010-42

BLADE MATERIALS AVAILABLE:  
 C10 - TOOL STEEL  
 TC - TUNGSTEN CARBIDE  
 TS - SINTERED TUNGSTEN  
 3T - HIGH GRADE TUNGSTEN



\*\* : BLADE MATERIAL

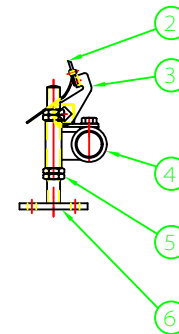
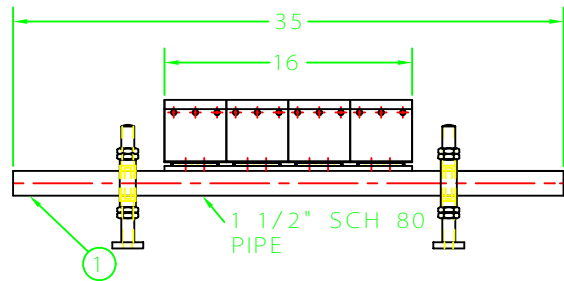
FILENAME= HD84

<small>THIS DRAWING IS THE SOLE PROPERTY OF ARCH ENVIRONMENTAL EQUIPMENT, INC. AND MUST BE USED ONLY IN CONNECTION WITH THE MANUFACTURE OF ARCH ENVIRONMENTAL EQUIPMENT. NO REPRODUCTION OR TRANSMISSION OF THIS DRAWING IS PERMITTED WITHOUT THE WRITTEN CONSENT OF ARCH ENVIRONMENTAL EQUIPMENT, INC.</small>	
DRAWN:	S. HOWARD
CHECKED:	S. HOWARD
APPROVED:	N.F.A.

		P.O. BOX 2422 5929 BENTON RD. PADUCAH, KENTUCKY 42002-2422 PHN: 800-553-4567 FAX: 800-230-9462	
		TOLERANCES	SCALE
<b>84" BLADE          HEAVY DUTY</b>		JOB No.	DRAWING NO.
		SHEET	OF

ITEM	QTY	DESCRIPTION	PART#
1	1	MAIN FRAME / SHAFT	MMPFRM00018ST
2	4	BMS MINI BLADE	MMPBLM00000**
3	4	MINI BLADE HOLDER	MMPBHM00000S
4	2	MINI FIXED LUG	MMPFLM00000ST
5	6	MINI SPINDLE NUT	MMPNTM25000EL
6	2	MINI SPINDLE	MMPSPM25000EL

BLADE MATERIALS AVAILABLE:  
 C10 - TOOL STEEL  
 TC - TUNGSTEN CARBIDE  
 TS - SINTERED TUNGSTEN  
 3T - HIGH GRADE TUNGSTEN



\*\* : BLADE MATERIAL

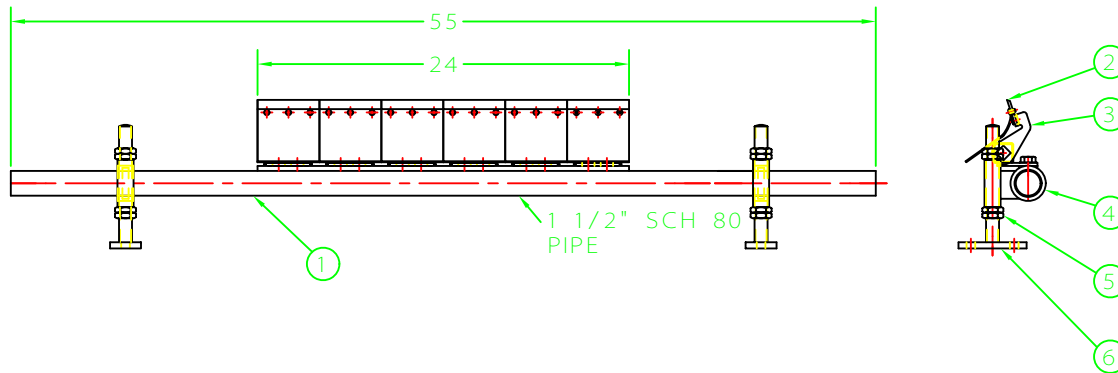
A: 12.17.04 REVISED: BLD QTY

FILENAME = MN18

		P.O. BOX 2422 1429 BENTON RD. PADUCAH, KENTUCKY 40303-2422 PHN: 800-553-4567 FAX: 800-250-9882	
		BMS MINI CLEANER FOR 18" BELT BMS-MN-**-18	
DESIGNED BY: E.H. HOWARD DRAWN BY: E.H. HOWARD CHECKED BY:	DATE: 12/17/04 DATE: 12/17/04 DATE:	QUANTITY: 1 UNIT: EA	DRAWING NO.: 04020001 SCALE: 1:1 SHEET: 1 OF 1

ITEM	QTY	DESCRIPTION	PART#
1	1	MAIN FRAME / SHAFT	MMPFRM00024ST
2	6	BMS MINI BLADE	MMPBLM00000**
3	6	MINI BLADE HOLDER	MMPBHM00000S
4	2	MINI FIXED LUG	MMPFLM00000ST
5	6	MINI SPINDLE NUT	MMPNTM25000EL
6	2	MINI SPINDLE	MMPSPM25000EL

BLADE MATERIALS AVAILABLE:  
 C10 - TOOL STEEL  
 TC - TUNGSTEN CARBIDE  
 TS - SINTERED TUNGSTEN  
 3T - HIGH GRADE TUNGSTEN



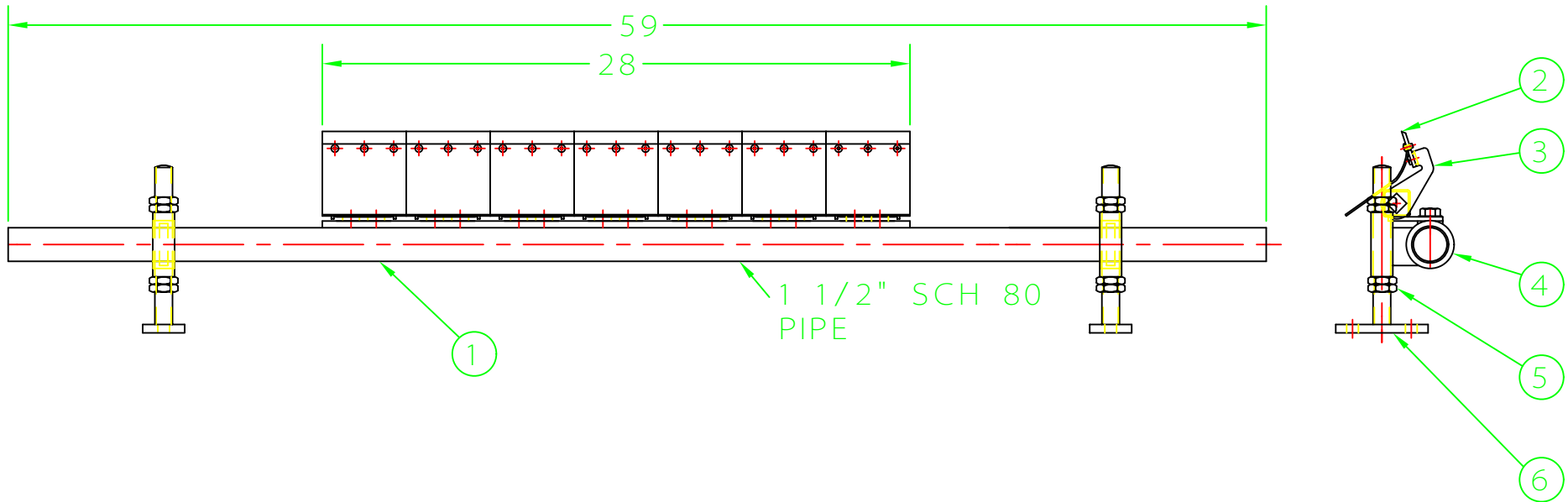
\*\* : BLADE MATERIAL

FILENAME = MN24


		P.O. BOX 2422 1929 BENTON RD. PADUCAH, KENTUCKY 40303-2422 PHN: 800-553-4567 FAX: 800-250-9882	
MODEL: E.HOWELL PART#: E.HOWARD QUANTITY:	MINI CLEANER FOR 24" BELT BMS-MN-**-24	DRAWING NO: 0302022	DATE:

ITEM	QTY	DESCRIPTION	PART#
1	1	MAIN FRAME / SHAFT	MMPFRM00030ST
2	7	BMS MINI BLADE	MMPBLM00000**
3	7	MINI BLADE HOLDER	MMPBHM00000ST
4	2	MINI FIXED LUG	MMPFLM00000ST
5	6	MINI SPINDLE NUT	MMPNTM25000EL
6	2	MINI SPINDLE	MMPSPM25000EL

BLADE MATERIALS AVAILABLE:  
 C10 - TOOL STEEL  
 TC - TUNGSTEN CARBIDE  
 TS - SINTERED TUNGSTEN  
 3T - HIGH GRADE TUNGSTEN

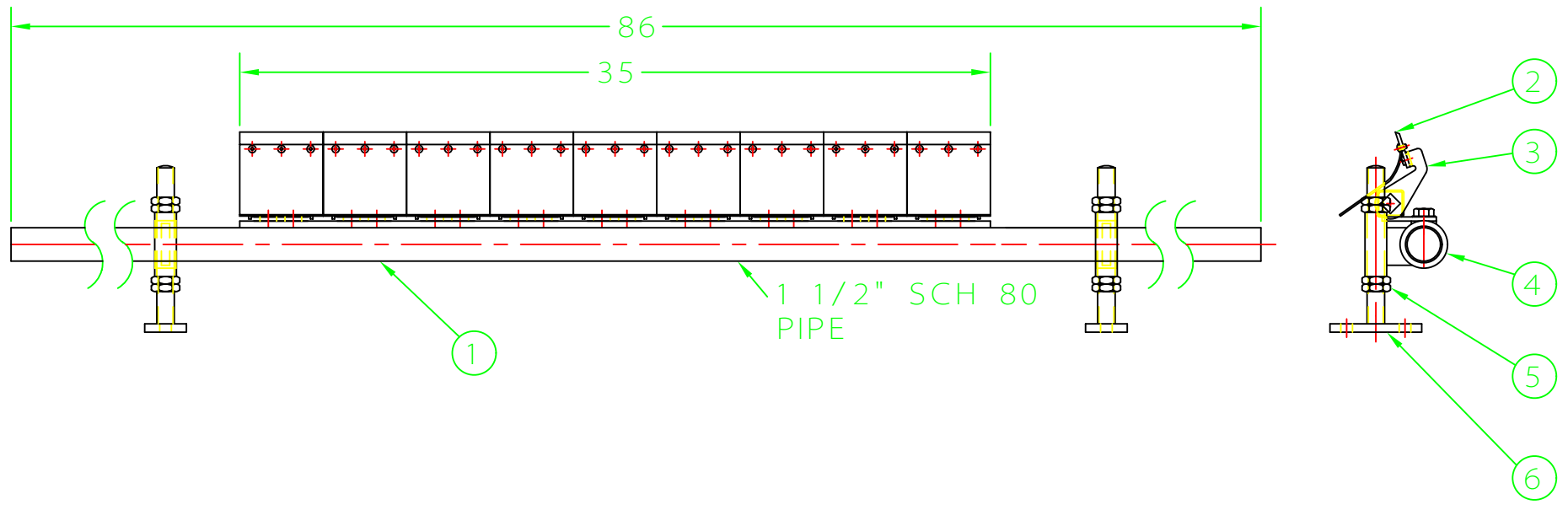


\*\* : BLADE MATERIAL


 <b>ARCH</b> ENVIRONMENTAL EQUIPMENT, INC.	P.O. BOX 2422 5929 BENTON RD. PADUCAH, KENTUCKY 42002 - 2422 PHN: 800-553-4567 FAX: 800-230-9462	
	BMS MINI CLEANER FOR 30" BELT BMS - MN - ** - 30	TOLERANCES SCALE
DRAWN: S.HOWARD CHECKED: APPROVED:	DATE DATE DATE	JOB No. SHEET OF
		DRAWING No. 082001A REV

ITEM	QTY	DESCRIPTION	PART#
1	1	MAIN FRAME / SHAFT	MMPFRM00036ST
2	9	BMS MINI BLADE	MMPBLM00000**
3	9	MINI BLADE HOLDER	MMPBHM00000ST
4	2	MINI FIXED LUG	MMPFLM00000ST
5	6	MINI SPINDLE NUT	MMPNTM25000EL
6	2	MINI SPINDLE	MMPSPM25000EL

BLADE MATERIALS AVAILABLE:  
 C10 - TOOL STEEL  
 TC - TUNGSTEN CARBIDE  
 TS - SINTERED TUNGSTEN  
 3T - HIGH GRADE TUNGSTEN

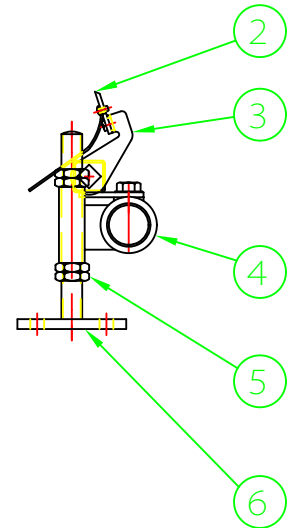
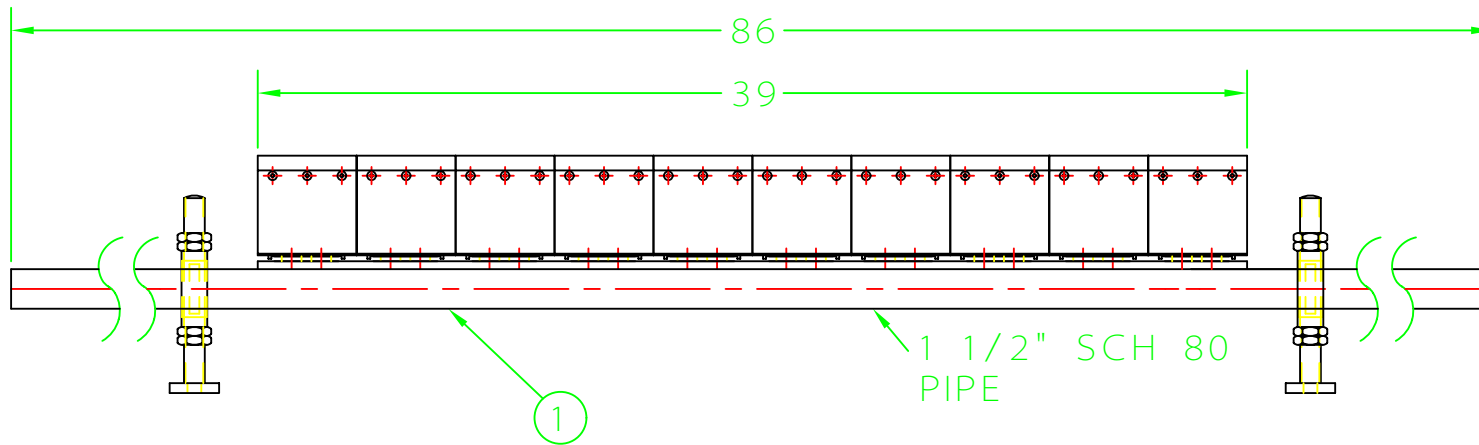


\*\* : BLADE MATERIAL

 <b>ARCH</b> ENVIRONMENTAL EQUIPMENT, INC.	P.O. BOX 2422 5929 BENTON RD. PADUCAH, KENTUCKY 42002-2422 PHN: 800-553-4567 FAX: 800-230-9462	
	BMS MINI CLEANER FOR 36" BELT BMS - MN - ** - 36	TOLERANCES SCALE
DRAWN: S.HOWARD CHECKED: _____ APPROVED: _____	DATE: _____ DATE: _____ DATE: _____	JOB NO.: _____ DRAWING NO.: 082001B SHEET OF REV: _____

ITEM	QTY	DESCRIPTION	PART#
1	1	MAIN FRAME / SHAFT	MMPFRM00042ST
2	10	BMS MINI BLADE	MMPBLM00000**
3	10	MINI BLADE HOLDER	MMPBHM00000ST
4	2	MINI FIXED LUG	MMPFLM00000ST
5	6	MINI SPINDLE NUT	MMPNTM25000EL
6	2	MINI SPINDLE	MMPSPM25000EL

BLADE MATERIALS AVAILABLE:  
 C10 - TOOL STEEL  
 TC - TUNGSTEN CARBIDE  
 TS - SINTERED TUNGSTEN  
 3T - HIGH GRADE TUNGSTEN



\*\* : BLADE MATERIAL



P.O. BOX 2422  
 5929 BENTON RD.  
 PADUCAH, KENTUCKY 42002-2422  
 PHN: 800-553-4567  
 FAX: 800-230-9462

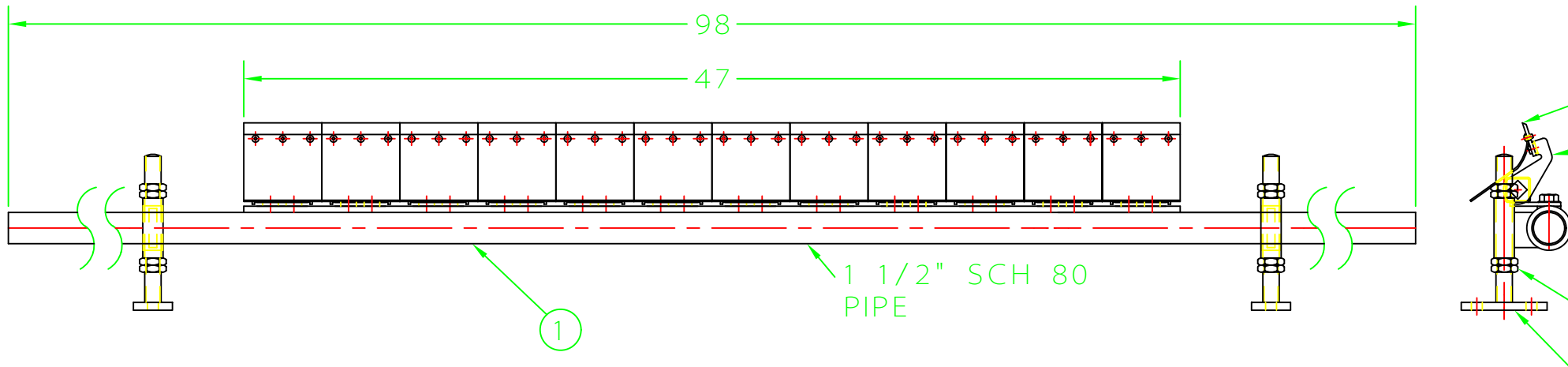
DRAWN: S.K.HOWELL	DATE:
CHECKED: S.HOWARD	DATE:
APPROVED:	DATE:

BMS MINI CLEANER  
 FOR 42" BELT  
 BMS - MN - \*\* - 42

TOLERANCES	SCALE
SHEET NO.:	DRAWING NO. 030702C
SHEET OF	REV.

4	2	MINI FIXED LUG	MMPFLM00000ST
5	6	MINI SPINDLE NUT	MMPNTM25000EL
6	2	MINI SPINDLE	MMPSPM25000EL

10 - SINTERED  
3T - HIGH GRAI



\*\* : BLADE MATERIAL

THIS DRAWING IS THE SOLE PROPERTY OF ARCH ENVIRONMENTAL EQUIPMENT, INC. AND MUST BE USED ONLY IN CONNECTION WITH WORK ASSOCIATED WITH ARCH ENVIRONMENTAL EQUIPMENT. IN THE EVENT OF LOSS OR THEFT, THE USER MUST REPORT TO ARCH ENVIRONMENTAL EQUIPMENT, INC.	
DRAWN: S.K.HOWELL	DATE
CHECKED: S.HOWARD	DATE
APPROVED:	DATE

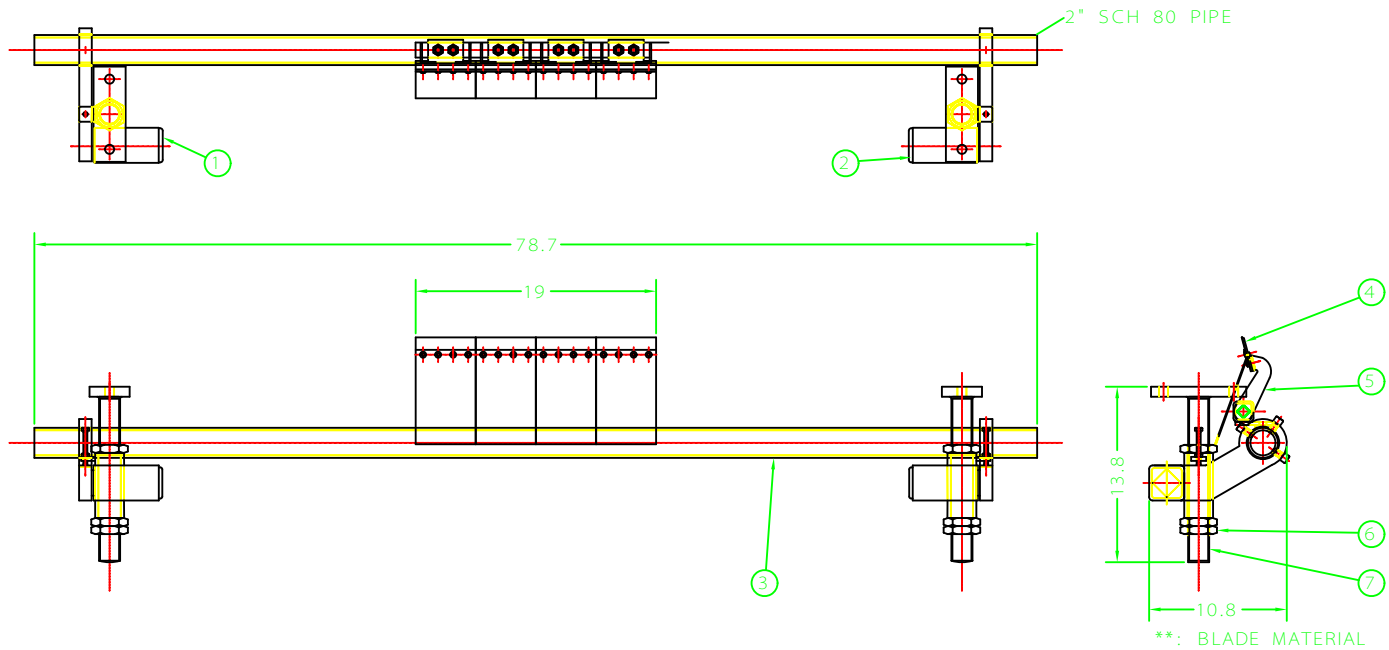


5  
PADUCAH  
PH  
FA

BMS MINI CLEANER  
FOR 48" BELT  
BMS - MN - \*\* - 48

ITEM	QTY	DESCRIPTION	PART#
1	1	LEFT TORSION MOUNT	MMPTLS00002ST
2	1	RIGHT TORSION MOUNT	MMPTRS00002ST
3	1	MAIN FRAME / SHAFT	MMPFRS00024ST
4	4	BMS BLADE	MMPBLS00000**
5	4	STANDARD BLADE HOLDER	MMPBHS00000ST
6	6	SPINDLE NUT	MMPNTS42000EL
7	2	MOUNTING SPINDLE	MMPSPS42000EL

BLADE MATERIALS AVAILABLE:  
 C10 - TOOL STEEL  
 TC - TUNGSTEN CARBIDE  
 TS - SINTERED TUNGSTEN  
 3T - HIGH GRADE TUNGSTEN



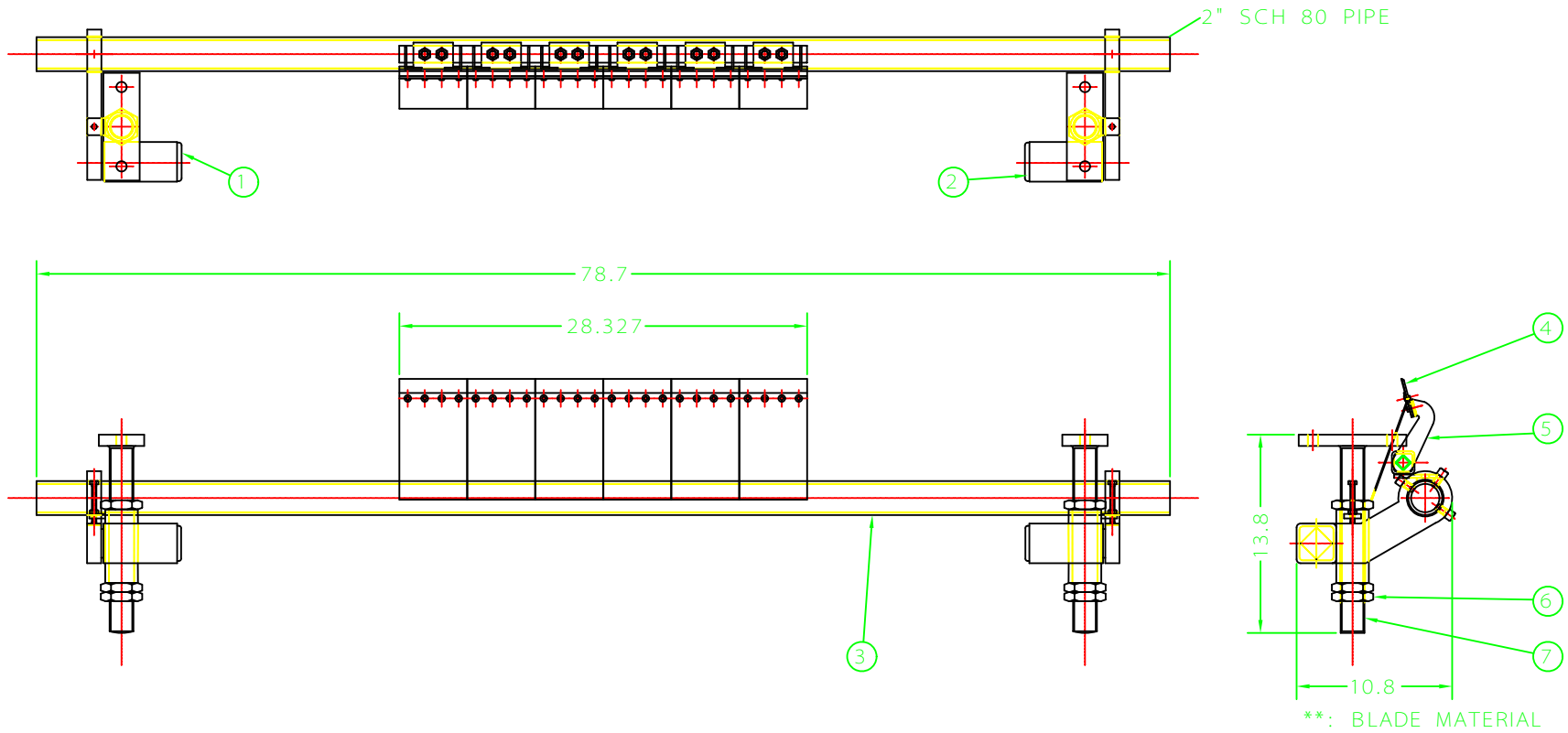
\*\* : BLADE MATERIAL

**ARCH**  
 ENVIRONMENTAL  
 EQUIPMENT, INC.  
 P.O. BOX 2422  
 5929 BENTON RD.  
 PADUCAH, KENTUCKY 42002-2422  
 PHN: 800-533-4567  
 FAX: 800-230-9462

DESIGNED BY		DATE		SCALE	
DRWING	S. HOWARD	DATE			
CHECKED BY		DATE			
APPROVED BY		DATE			
BMS STANDARD DUTY FOR 24" BELT BMS - SD - ** - 24				TOLERANCES	
				SCALE	
SHEET				OF	
DRAWING NO.				REV.	
1022018					

ITEM	QTY	DESCRIPTION	PART#
1	1	LEFT TORSION MOUNT	MMPTLS00002ST
2	1	RIGHT TORSION MOUNT	MMPTRS00002ST
3	1	MAIN FRAME / SHAFT	MMPFRS00030ST
4	6	BMS BLADE	MMPBLS00000**
5	6	STANDARD BLADE HOLDER	MMPBHS00000ST
6	6	SPINDLE NUT	MMPNTS42000EL
7	2	MOUNTING SPINDLE	MMPSPS42000EL

BLADE MATERIALS AVAILABLE:  
 C10 - TOOL STEEL  
 TC - TUNGSTEN CARBIDE  
 TS - SINTERED TUNGSTEN  
 3T - HIGH GRADE TUNGSTEN



\*\* : BLADE MATERIAL

**ARCH**  
 ENVIRONMENTAL  
 EQUIPMENT, INC.

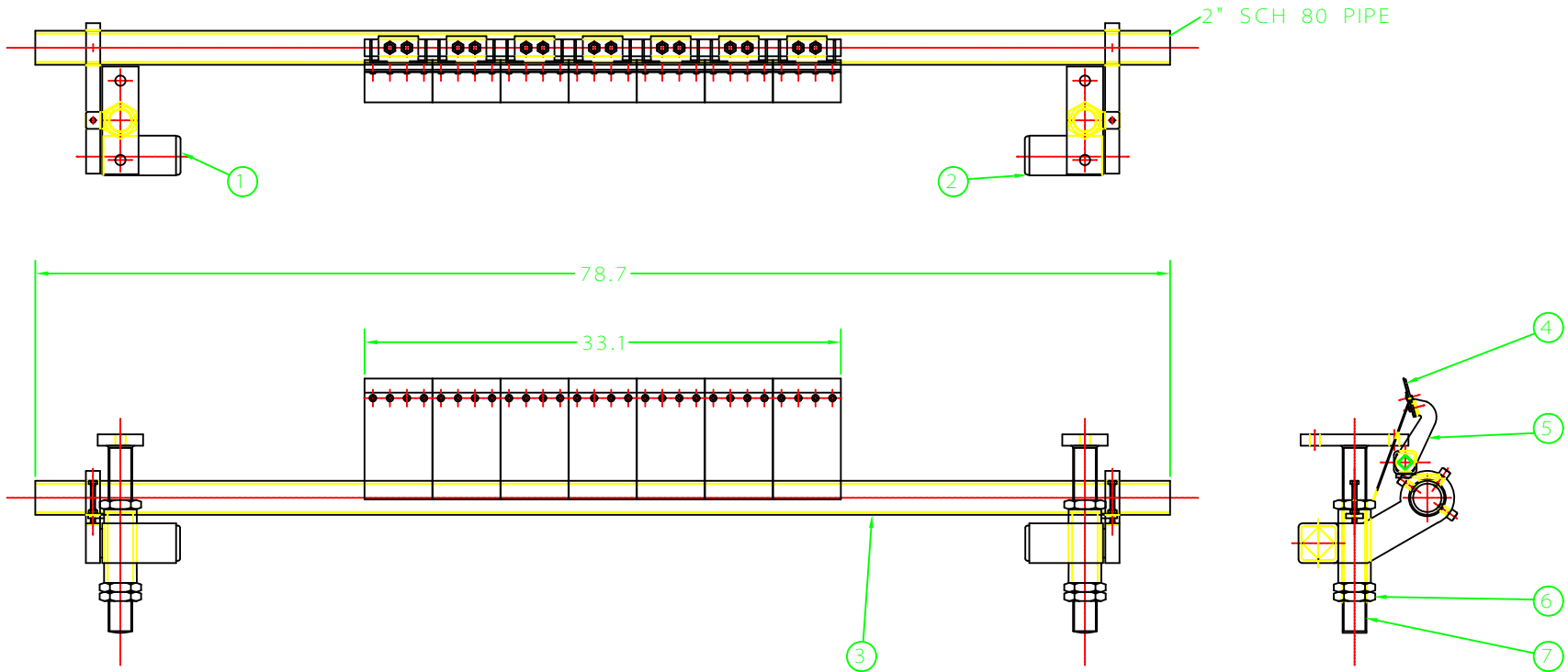
P.O. BOX 2422  
 5929 BENTON RD.  
 PADUCAH, KENTUCKY 42002-2422  
 PHN: 800-553-4567  
 FAX: 800-230-9462

<small>THIS DRAWING IS THE SOLE PROPERTY OF ARCH ENVIRONMENTAL EQUIPMENT, INC. AND MUST BE USED ONLY IN CONNECTION WITH THE MANUFACTURE AND MAINTENANCE OF ARCH ENVIRONMENTAL EQUIPMENT. IT IS NOT TO BE REPRODUCED OR TRANSMITTED IN ANY FORM OR BY ANY MEANS, ELECTRONIC OR MECHANICAL, INCLUDING PHOTOCOPYING, RECORDING, OR BY ANY INFORMATION STORAGE AND RETRIEVAL SYSTEM.</small>		TOLERANCES	SCALE
DRAWN: S. HOWARD	DATE:	JOB No.	DRAWING NO. 012501A
CHECKED:	DATE:	SHEET	OF
APPROVED:	DATE:	REV.	

BMS STANDARD DUTY  
 FOR 30" BELT  
 BMS - SD - \*\* - 30

ITEM	QTY	DESCRIPTION	PART#
1	1	LEFT TORSION MOUNT	MMPTLS00002ST
2	1	RIGHT TORSION MOUNT	MMPTRS00002ST
3	1	MAIN FRAME / SHAFT	MMPFRS00036ST
4	7	BMS BLADE	MMPBLS00000**
5	7	STANDARD BLADE HOLDER	MMPBHS00000ST
6	6	SPINDLE NUT	MMPNTS42000EL
7	2	MOUNTING SPINDLE	MMPSPS42000EL

BLADE MATERIALS AVAILABLE:  
 C10 - TOOL STEEL  
 TC - TUNGSTEN CARBIDE  
 TS - SINTERED TUNGSTEN  
 3T - HIGH GRADE TUNGSTEN



\*\* : BLADE MATERIAL

**ARCH**  
 ENVIRONMENTAL  
 EQUIPMENT, INC.

P.O. BOX 2422  
 5929 BENTON RD.  
 PADUCAH, KENTUCKY 42002-2422  
 PHN: 800-553-4567  
 FAX: 800-230-9462

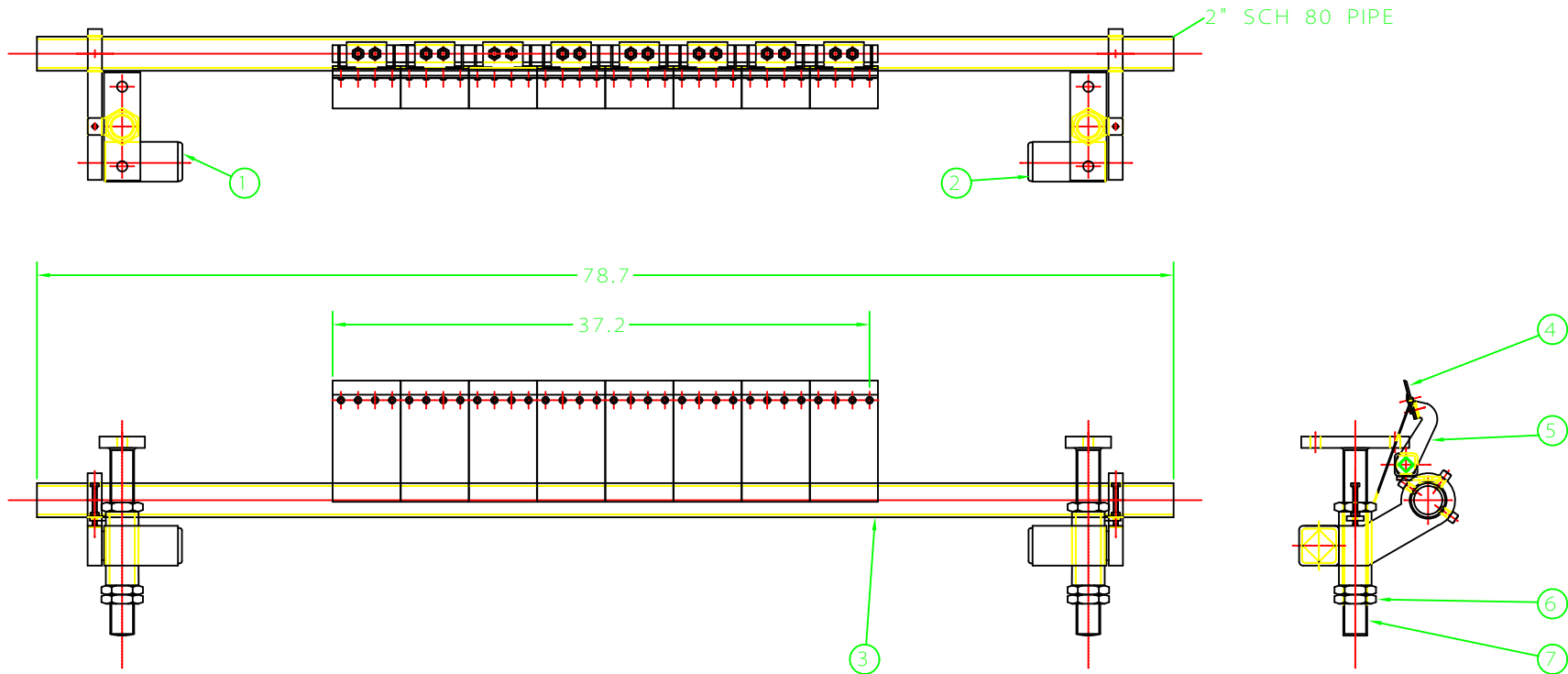
DRAWN: S. HOWARD		DATE:
CHECKED:		DATE:
APPROVED:		DATE:

BMS STANDARD DUTY  
 FOR 36" BELT  
 BMS - SD - \*\* - 36

TOLERANCES	SCALE
JOB NO.	DRAWING NO.
SHEET	OF
REV.	

ITEM	QTY	DESCRIPTION	PART#
1	1	LEFT TORSION MOUNT	MMPTLS00002ST
2	1	RIGHT TORSION MOUNT	MMPTRS00002ST
3	1	MAIN FRAME / SHAFT	MMPFRS00042ST
4	8	BMS BLADE	MMPBLS00000**
5	8	STANDARD BLADE HOLDER	MMPBHS00000ST
6	6	SPINDLE NUT	MMPNTS42000EL
7	2	MOUNTING SPINDLE	MMPSPS42000EL

BLADE MATERIALS AVAILABLE:  
 C10 - TOOL STEEL  
 TC - TUNGSTEN CARBIDE  
 TS - SINTERED TUNGSTEN  
 3T - HIGH GRADE TUNGSTEN

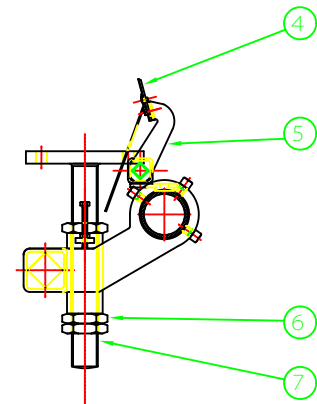
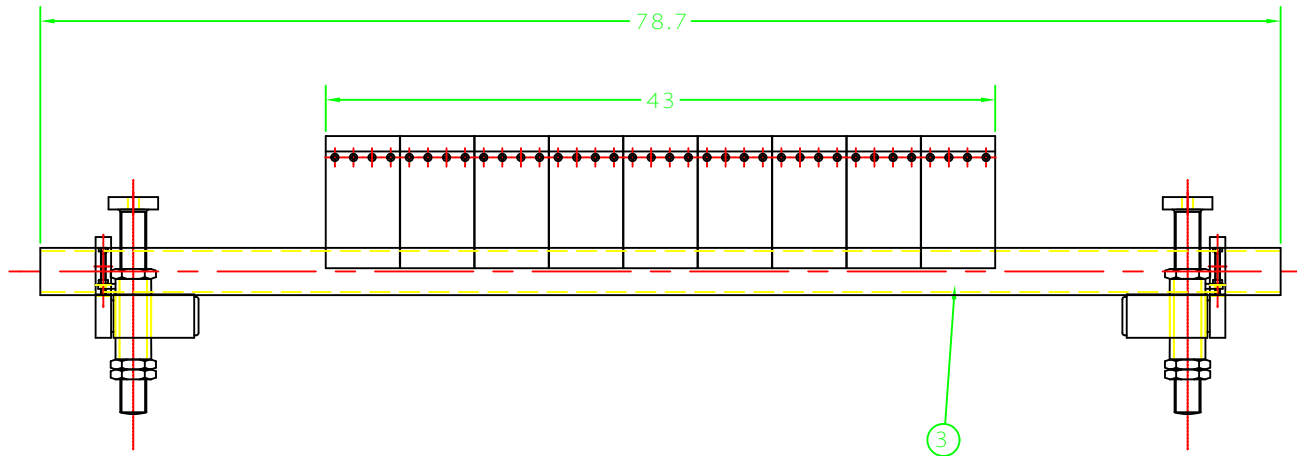
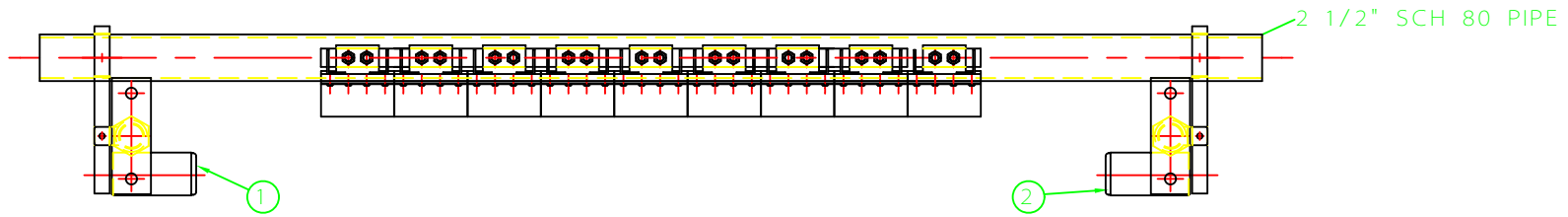


\*\* : BLADE MATERIAL

	P.O. BOX 2422 5929 BENTON RD. PADUCAH, KENTUCKY 42002-2422 PHN: 800-553-4567 FAX: 800-230-9462	TOLERANCES	SCALE
	<b>BMS STANDARD DUTY          FOR 42" BELT          BMS - SD - ** - 42</b>	JOB NO: SHEET    OF	DRAWING NO: 012501C

ITEM	QTY	DESCRIPTION	PART#
1	1	LEFT TORSION MOUNT	MMPTLS00002ST
2	1	RIGHT TORSION MOUNT	MMPTRS00002ST
3	1	MAIN FRAME / SHAFT	MMPFRS00048ST
4	9	BMS BLADE	MMPBLS00000**
5	9	STANDARD BLADE HOLDER	MMPBHS00000ST
6	6	SPINDLE NUT	MMPNTS42000EL
7	2	MOUNTING SPINDLE	MMPSPS42000EL

BLADE MATERIALS AVAILABLE:  
 C10 - TOOL STEEL  
 TC - TUNGSTEN CARBIDE  
 TS - SINTERED TUNGSTEN  
 3T - HIGH GRADE TUNGSTEN



\*\* : BLADE MATERIAL

DRAWN:	S. HOWARD	DATE:	
CHECKED:		DATE:	
APPROVED:		DATE:	



ARCH  
 ENVIRONMENTAL  
 EQUIPMENT, INC.

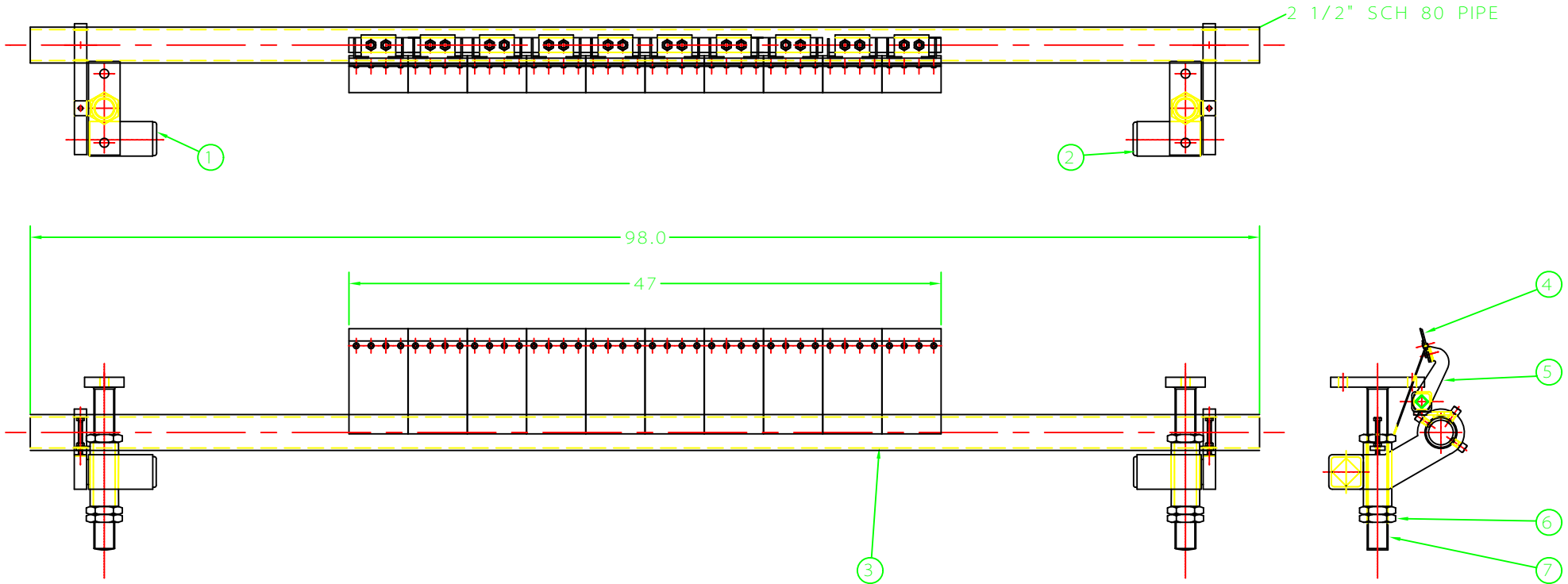
P.O. BOX 2422  
 5929 BENTON RD.  
 PADUCAH, KENTUCKY 42002-2422  
 PHN: 800-553-4567  
 FAX: 800-230-9462

BMS STANDARD DUTY  
 FOR 48" BELT  
 BMS - SD - \*\* - 48

TOLERANCES	SCALE
JOB NO.	DRAWING NO.
SHEET	OF
REV.	

ITEM	QTY	DESCRIPTION	PART#
1	1	LEFT TORSION MOUNT	BMS - 017 - 3L
2	1	RIGHT TORSION MOUNT	BMS - 017 - 3R
3	1	MAIN FRAME / SHAFT	BMS - 015 - 52
4	11	BMS BLADE	BMS - 016 - **
5	11	STANDARD BLADE HOLDER	BMS - 014 - S
6	6	SPINDLE NUT	BMS - 018 - 42
7	2	MOUNTING SPINDLE	BMS - 010 - 42

BLADE MATERIALS AVAILABLE:  
 C10 - TOOL STEEL  
 TC - TUNGSTEN CARBIDE  
 TS - SINTERED TUNGSTEN  
 3T - HIGH GRADE TUNGSTEN



\*\* : BLADE MATERIAL



P.O. BOX 2422  
 5929 BENTON RD.  
 PADUCAH, KENTUCKY 42002 - 2422  
 PHN: 800 - 553 - 4567  
 FAX: 800 - 230 - 9462

DRAWN:	S_K_HOWELL	DATE:	
CHECKED:		DATE:	
APPROVED:		DATE:	

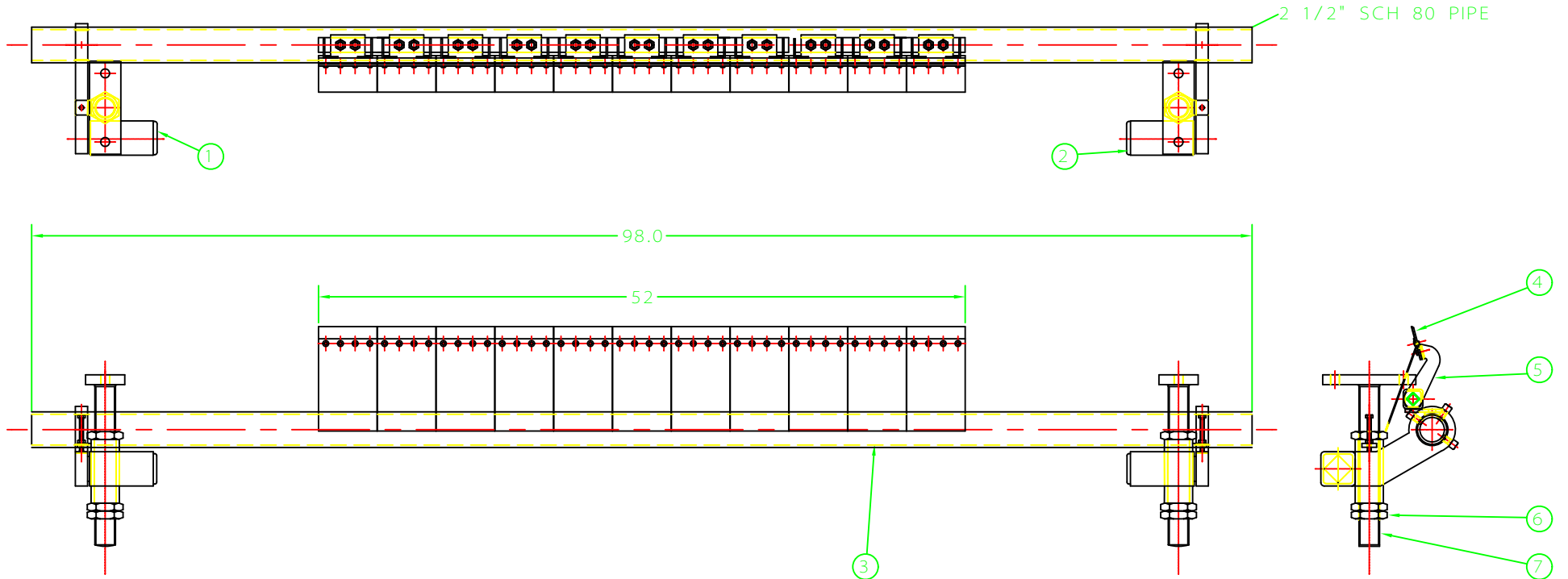
BMS STANDARD DUTY  
 FOR 52" BELT  
 BMS - SD - \*\* - 52

TOLERANCES:	SCALE:
JOB NO:	DRAWING NO:
	NUMBER
SHEET OF	REV.


FILENAME= FILENAME

ITEM	QTY	DESCRIPTION	PART#
1	1	LEFT TORSION MOUNT	BMS - 017 - 3L
2	1	RIGHT TORSION MOUNT	BMS - 017 - 3R
3	1	MAIN FRAME / SHAFT	BMS - 015 - 54
4	11	BMS BLADE	BMS - 016 - **
5	11	STANDARD BLADE HOLDER	BMS - 014 - S
6	6	SPINDLE NUT	BMS - 018 - 42
7	2	MOUNTING SPINDLE	BMS - 010 - 42

BLADE MATERIALS AVAILABLE:  
 C10 - TOOL STEEL  
 TC - TUNGSTEN CARBIDE  
 TS - SINTERED TUNGSTEN  
 3T - HIGH GRADE TUNGSTEN



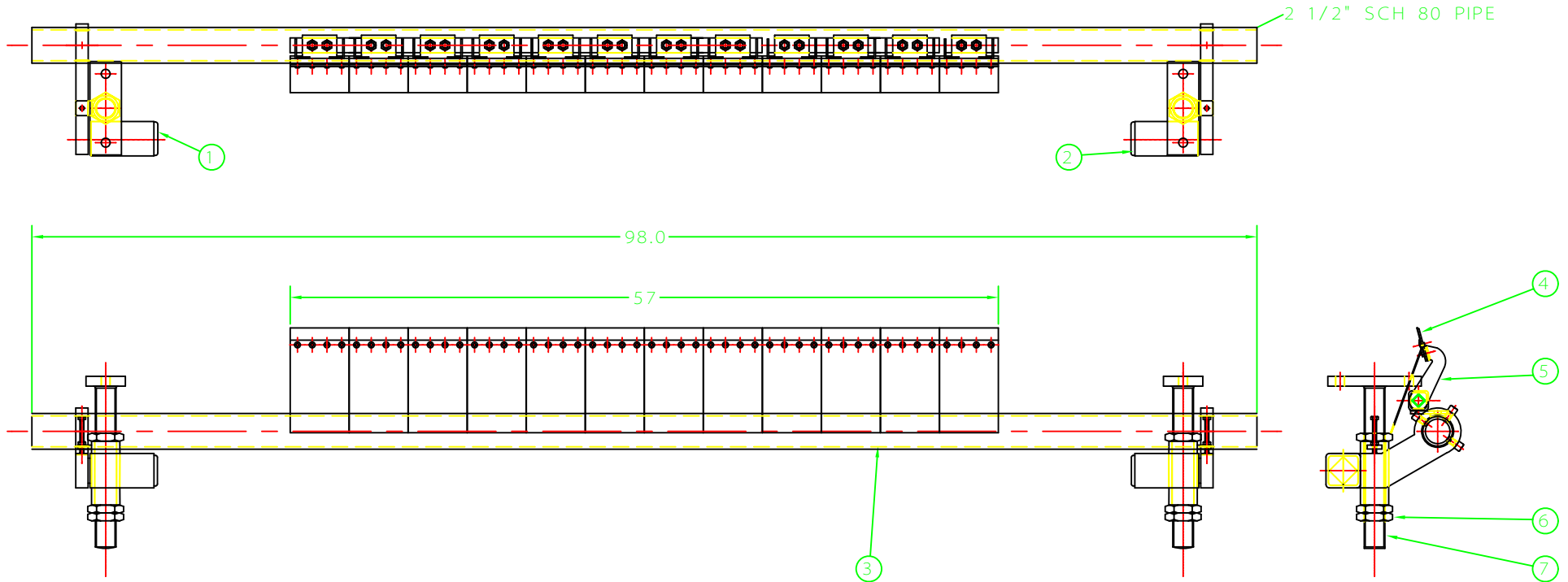
\*\* : BLADE MATERIAL

 <b>ARCH</b> ENVIRONMENTAL EQUIPMENT, INC.	P.O. BOX 2422 5929 BENTON RD. PADUCAH, KENTUCKY 42002 - 2422 PHN: 800-553-4567 FAX: 800-230-9462	
	BMS STANDARD DUTY FOR 54" BELT BMS - SD - ** - 54	
TOLERANCES:    SCALE: 1/8" ± .005"    1" = 1"	DRW. NO.    DRAWING NO. 090401A	SHEET    OF    REV.

<small>           I/WE HEREBY CERTIFY THAT THIS DRAWING OR SPECIFICATION            IS THE PROPERTY OF ARCH ENVIRONMENTAL EQUIPMENT, INC.            IT IS TO BE USED ONLY FOR THE PROJECT AND COMPANY            IDENTIFIED HEREON. ANY REUSE OR REPRODUCTION            WITHOUT THE WRITTEN PERMISSION OF ARCH ENVIRONMENTAL            EQUIPMENT, INC. IS STRICTLY PROHIBITED.         </small>
DRAWN: S. HOWARD    DATE:
CHECKED:    DATE:
APPROVED:    DATE:

ITEM	QTY	DESCRIPTION	PART#
1	1	LEFT TORSION MOUNT	BMS - 017 - 3L
2	1	RIGHT TORSION MOUNT	BMS - 017 - 3R
3	1	MAIN FRAME / SHAFT	BMS - 015 - 60
4	12	BMS BLADE	BMS - 016 - **
5	12	STANDARD BLADE HOLDER	BMS - 014 - S
6	6	SPINDLE NUT	BMS - 018 - 42
7	2	MOUNTING SPINDLE	BMS - 010 - 42

BLADE MATERIALS AVAILABLE:  
 C10 - TOOL STEEL  
 TC - TUNGSTEN CARBIDE  
 TS - SINTERED TUNGSTEN  
 3T - HIGH GRADE TUNGSTEN



\*\* : BLADE MATERIAL

 <b>ARCH</b> ENVIRONMENTAL EQUIPMENT, INC.	P.O. BOX 2422 5929 BENTON RD. PADUCAH, KENTUCKY 42002-2422 PHN: 800-553-4567 FAX: 800-230-9462	
	BMS STANDARD DUTY FOR 54" BELT BMS - SD - ** - 60	TOLERANCES SCALE
DRAWN: S. HOWARD CHECKED: APPROVED:	DATE DATE DATE	SHEET OF REV.