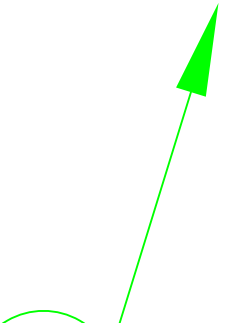


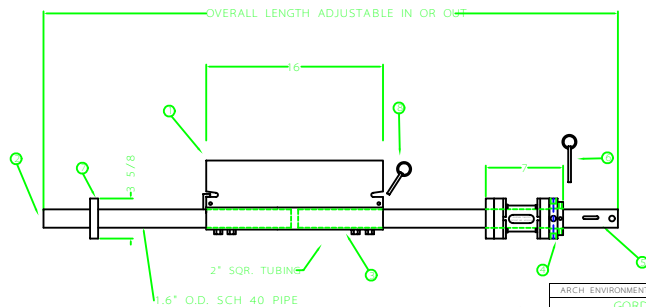
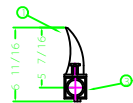
GORDON TWISTER
PATENT NO. 4533036



ITEM	QTY.	DESCRIPTION	PART NUMBER
		GORDON MINI SABER BLADE	ARCH ENVIRONMENTAL EQUIP., INC.
		2" SQR. TUBING	ARCH ENVIRONMENTAL EQUIP., INC.
		1.6" O.D. SCH 40 PIPE	ARCH ENVIRONMENTAL EQUIP., INC.
		2" SQR. TUBING	ARCH ENVIRONMENTAL EQUIP., INC.
		1.6" O.D. SCH 40 PIPE	ARCH ENVIRONMENTAL EQUIP., INC.
		2" SQR. TUBING	ARCH ENVIRONMENTAL EQUIP., INC.
		1.6" O.D. SCH 40 PIPE	ARCH ENVIRONMENTAL EQUIP., INC.
		2" SQR. TUBING	ARCH ENVIRONMENTAL EQUIP., INC.
		1.6" O.D. SCH 40 PIPE	ARCH ENVIRONMENTAL EQUIP., INC.
		2" SQR. TUBING	ARCH ENVIRONMENTAL EQUIP., INC.
		1.6" O.D. SCH 40 PIPE	ARCH ENVIRONMENTAL EQUIP., INC.

0000

REVISION	
1	ARCH PART NUMBER
2	ARCH PART NUMBER

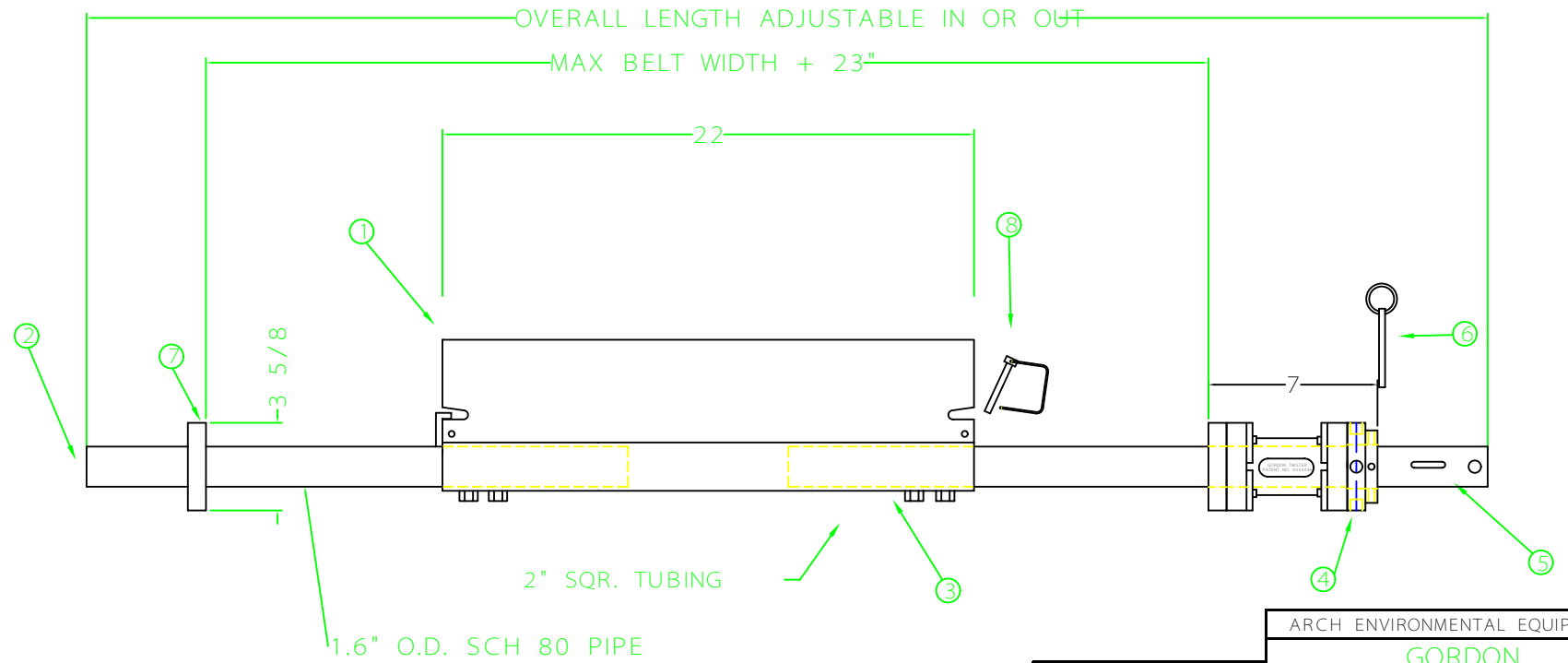
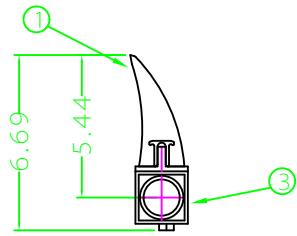


FILENAME= FG18TA
PLOTSCALE= 1:25

ARCH ENVIRONMENTAL EQUIP., INC.	
GORDON	
MINI SABER CLEANER	
MINI-18-UR-TA	
DATE	11/22

ITEM	QTY.	DESCRIPTION	PART NUMBER
1	1	GORDON MINI-SABER BLADE	MCRBMN000240000
2	1	OPPOSITE SIDE SUPPORT PIN	MCRPMS02400
3	1	MAIN FRAME	MFRMN0002400002400000
4	1	MINI-URETHANE TENSIONER	MCRTRP0MT00
5	1	TENSIONER SIDE SUPPORT	MCRPMN03200
6	1	SHEAR PIN	MCRRIP000NO
7	1	WELD COLLAR	MCRHMS00000
8	1	BLADE PIN	MCRRMP000NO

REVISIONS			
A	SH	022502	ADDED PART NUMBERS
A	MH	110707	CHANGED LAYERS



FILENAME= MINI24
 PLOTSCALE=.125

DRAWN:	S.HOWARD	DATE:	
CHECKED:	G.K.W.	DATE:	
APPROVED:	N.F.A.	DATE:	
SCALE:		JOB No.:	

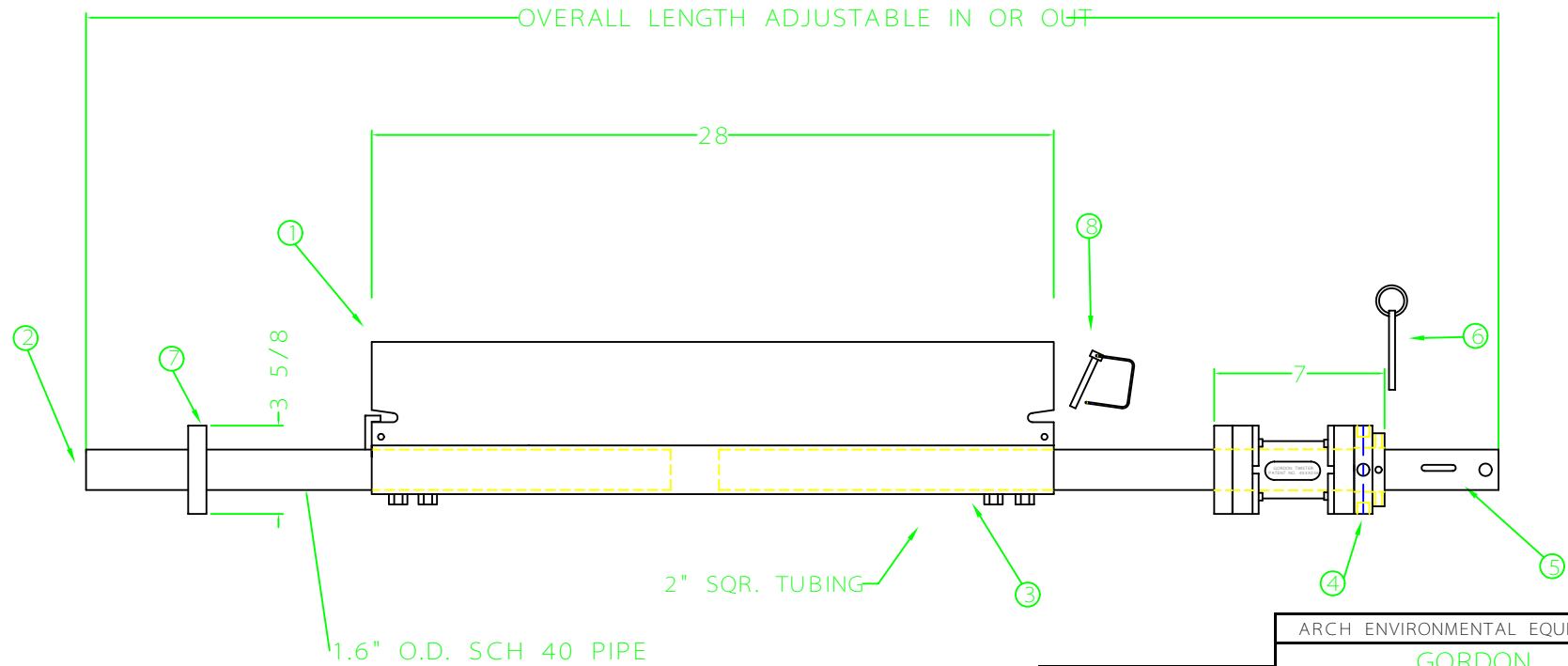
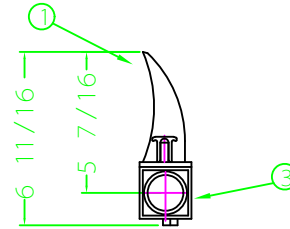
ARCH ENVIRONMENTAL EQUIP., INC.

**GORDON
 MINI SABER CLEANER
 MINI - 24 - UR - TA**

DRAWING NO. 11792A SHEET OF REV. A

ITEM	QTY.	DESCRIPTION	PART NUMBER
1	1	GORDON MINI-SABER BLADE	MRBMN000300000
2	1	OPPOSITE SIDE SUPPORT PIPE	MCRPMS02400
3	1	MAIN FRAME	MFRMN0003000003000000
4	1	MINI-URETHANE TENSIONER	MCRTRP0MT00
5	1	TENSIONER SIDE SUPPORT PIPE	MFRPMN03200
6	1	SHEAR PIN	MCRRIP000NO
7	1	WELD COLLAR	MCRHMS00000
8	1	BLADE PIN	MCRRMP000NO

REVISIONS			
A	SH	022502	ADDED PART NUMBERS
A	MH	110707	CHANGED LAYERS



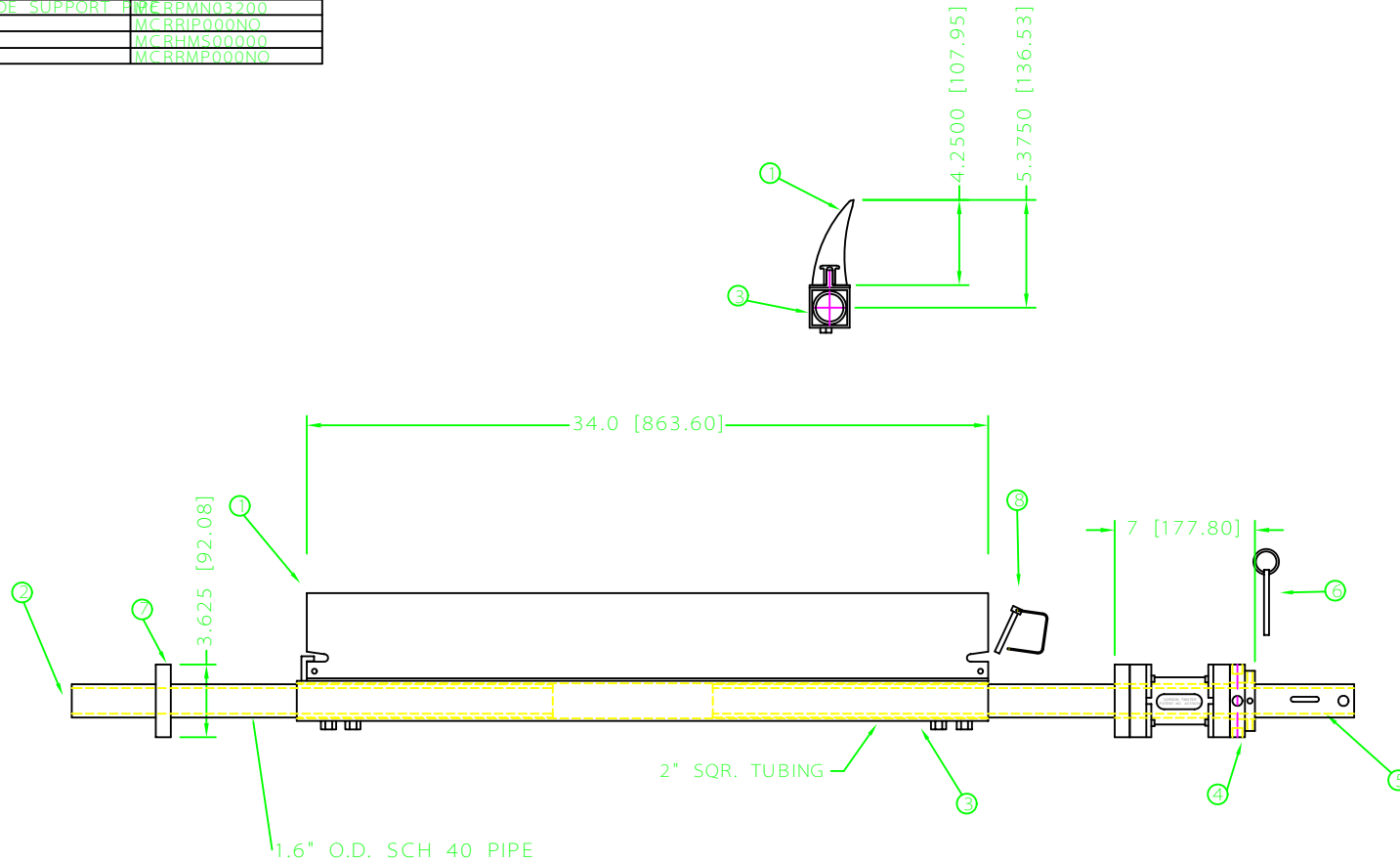
FILENAME= MINI30
PLOTSCALE= .125

DRAWN:	S.HOWARD	DATE	
CHECKED:	G.K.W.	DATE	
APPROVED:	N.F.A.	DATE	
SCALE	JOB No.		

ARCH ENVIRONMENTAL EQUIP., INC.			
GORDON MINI SABER CLEANER MINI - 30 - UR - TA			
DRAWING NO.	11792B	SHEET	OF
REV.	A		

ITEM	QTY.	DESCRIPTION	PART NUMBER
1	1	GORDON MINI-SABER BLADE	MRBMN000360000
2	1	OPPOSITE SIDE SUPPORT PIN	MC RPS02400
3	1	MAIN FRAME	MFRMN000360000360000
4	1	MINI-URETHANE TENSIONER	MCRTRP0MT00
5	1	TENSIONER SIDE SUPPORT PIN	MFRBPMN03200
6	1	SHEAR PIN	MCRBIP000NO
7	1	WELD COLLAR	MCRHMS00000
8	1	BLADE PIN	MCRBMP000NO

REVISIONS			
A	SH	022502	ADDED PART NUMBERS
B	MH	111207	CHANGED LAYERS



FILENAME= MINI36

THIS DRAWING IS THE SOLE PROPERTY OF ARCH ENVIRONMENTAL EQUIPMENT INC. AND MUST BE USED ONLY IN CONNECTION TO WORK ASSOCIATED WITH ARCH ENVIRONMENTAL EQUIPMENT INC. ALL RIGHTS OF DESIGN OR INVENTION ARE RESERVED.

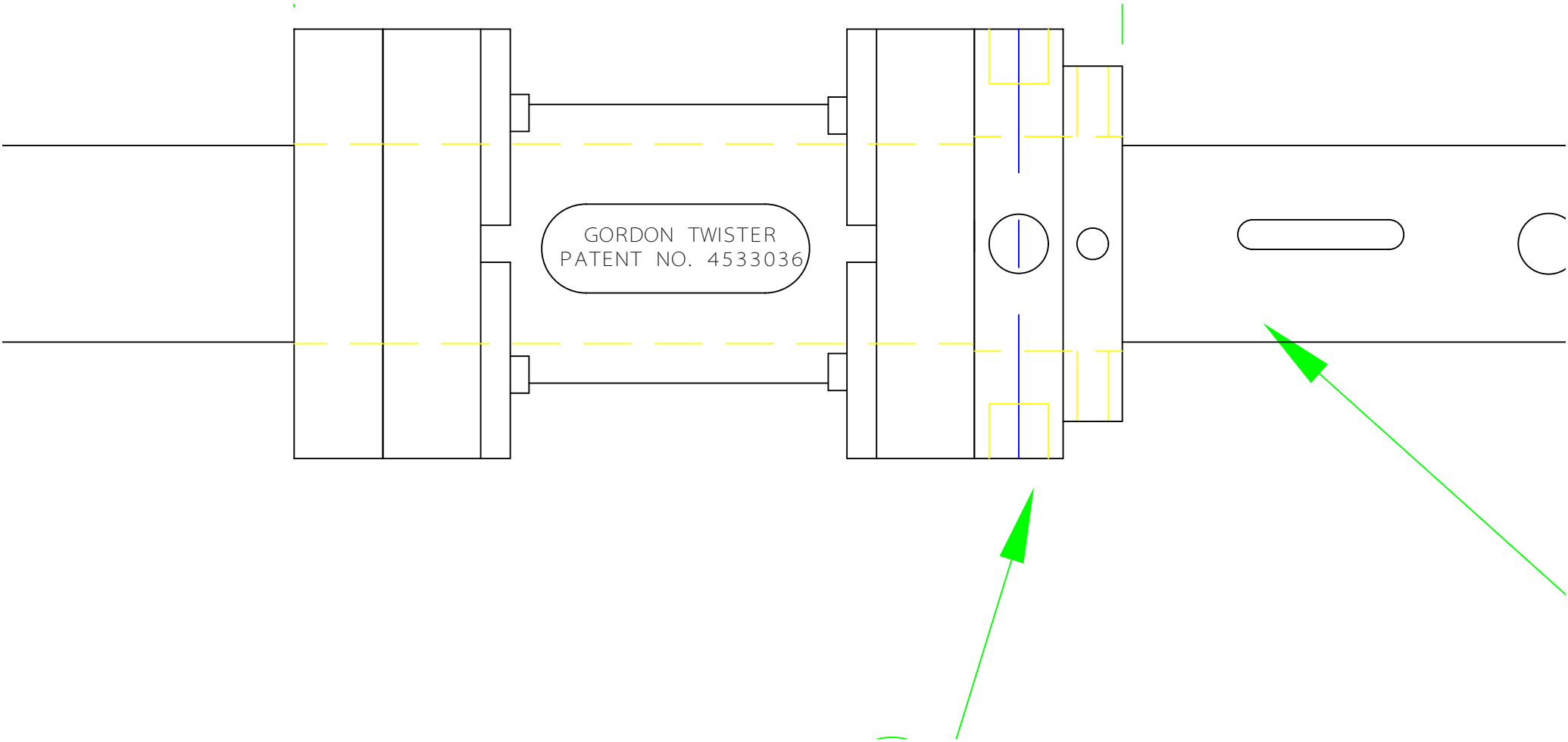


P.O. BOX 1760
5929 BENTON RD.
PADUCAH, KY 42002-1760
PHN: 800-553-4567
FAX: 800-230-9462
HTTP://WWW.AEEC.COM

DRAWN:	S. HOWARD	DATE:	
CHECKED:	G. K. W.	DATE:	
APPROVED:	N. F. A.	DATE:	

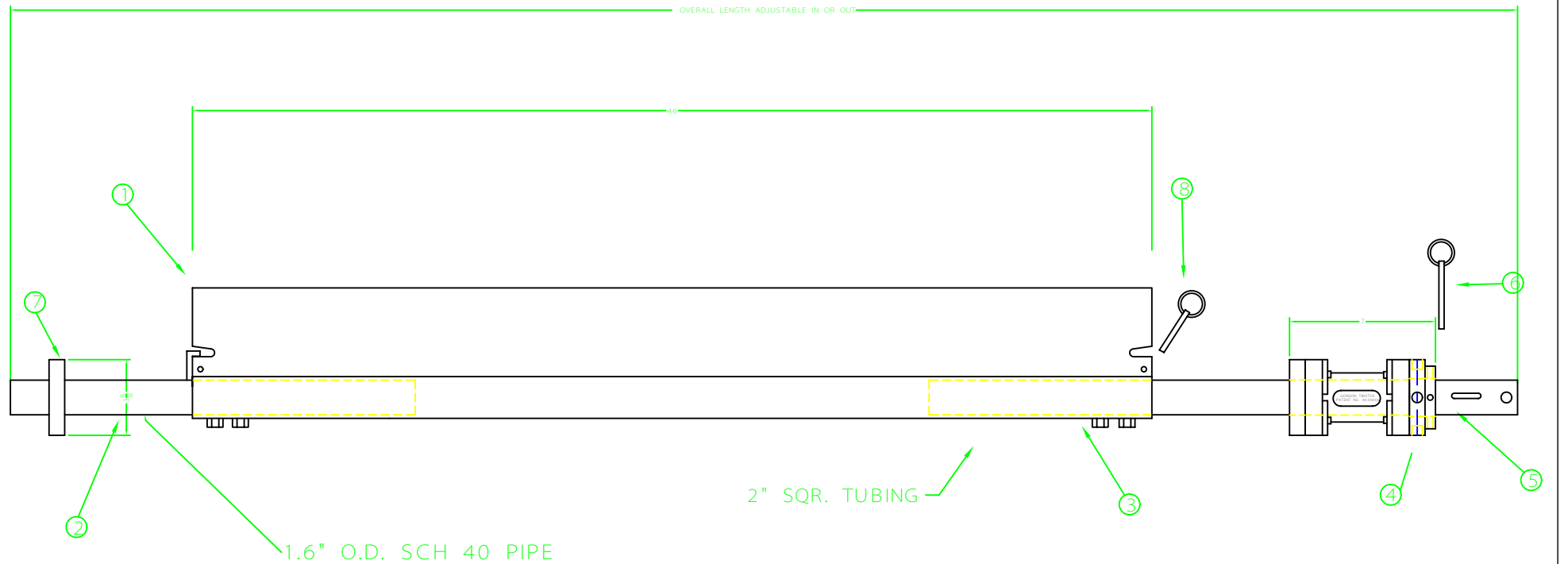
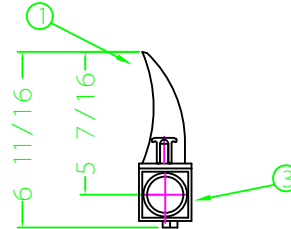
MINI CLEANER
MCNMN000360000360TA0000000000

TOLERANCES	SCALE
JOB NO.	DRAWING NO.
	61998E
SHEET	OF
	REV.



ITEM	QTY.	DESCRIPTION	PART NUMBER
1	1	GORDON MINI-SABER BLADE	M RBMN000480000
2	1	OPPOSITE SIDE SUPPORT PIN	M CRPMS02400
3	1	MAIN FRAME	M FRMN0004800004800000
4	1	MINI-URETHANE TENSIONER	M CRTRP0MT00
5	1	TENSIONER SIDE SUPPORT PIN	M CRPMN03200
6	1	SHEAR PIN	M CRRIP000NO
7	1	WELD COLLAR	M CRHMS00000
8	1	BLADE PIN	M CRRMP000NO

REVISIONS			
A	SH	022502	ADDED PART NUMBERS
A	MH	110807	CHANGED LAYERS



MCNMN0000480000480TA0000000000

ARCH ENVIRONMENTAL EQUIP., INC.			
GORDON MINI SABER CLEANER			
DRAWN: S.HOWARD	DATE	DRAWING NO. 11792E	SHEET OF
CHECKED: G.K.W.	DATE	REV. A	
APPROVED: N.F.A.	DATE		
SCALE	JOB No.		

FILENAME= MINI48
PLOTSCALE=.125