

THIS DRAWING IS THE SOLE PROPERTY
 OF ARCH ENVIRONMENTAL EQUIPMENT
 INC. AND MUST BE USED ONLY IN
 CONNECTION TO WORK ASSOCIATED
 WITH ARCH ENVIRONMENTAL EQUIPMENT
 INC. ALL RIGHTS OF DESIGN OR
 INVENTION ARE RESERVED.

DESIGN	D. A. FURWELL	DATE	01/11
APP'D	K. SHAW	DATE	01/11
REVISION	N/A	DATE	01/11



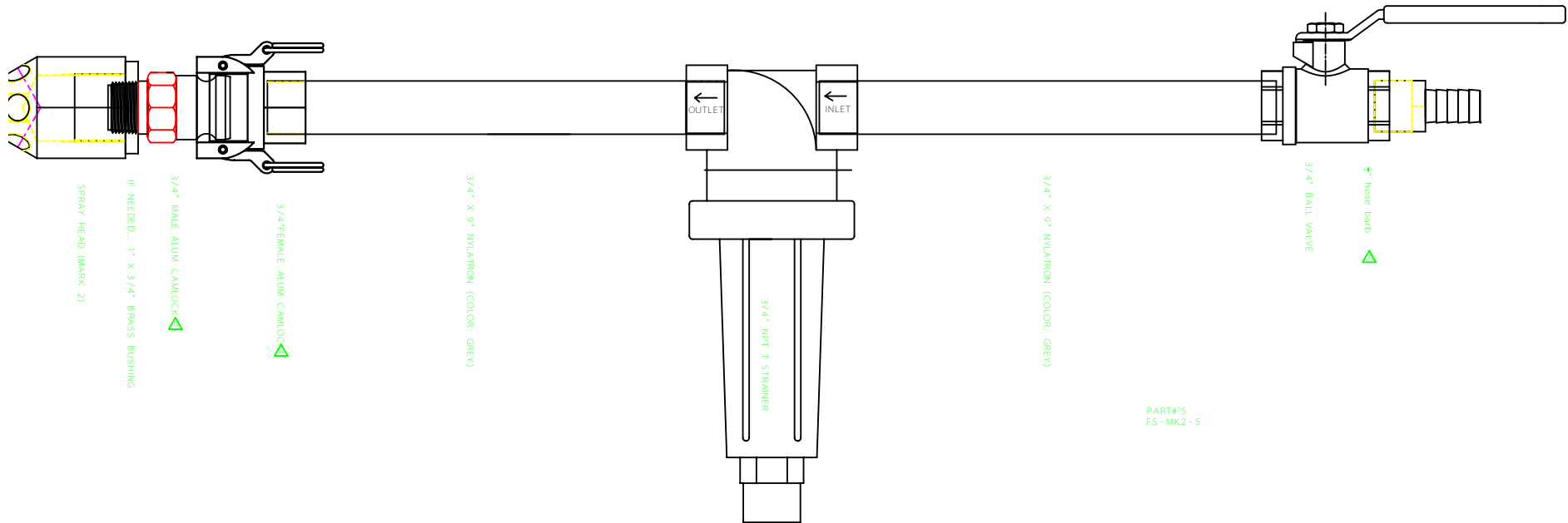
FOGGER SYSTEM
 MARK 2 SPRAY HEAD
 "SYSTEM" DIAGRAM

FIG. NO.	310422A
REV.	01
DATE	01/11

220 BOW TOWN
 2542 HASTINGS RD.
 PARSIPPANY, NJ 07054-1700
 Phone: 800-555-2567
 FAX: 973-255-2565
 HTTP://WWW.AELECT.COM

HEAD	# OF NOZZLES
MK2	7

A: REVISED CONNECTER AT BALL VALVE
 B: ADDED CAMLOCK



PART#S
 FS-MK2-S

THIS DRAWING IS THE SOLE PROPERTY OF ARCH ENVIRONMENTAL EQUIPMENT INC., AND MUST BE USED ONLY IN CONNECTION TO WORK ASSOCIATED WITH ARCH ENVIRONMENTAL EQUIPMENT INC. ALL RIGHTS OF DESIGN OR INVENTION ARE RESERVED.



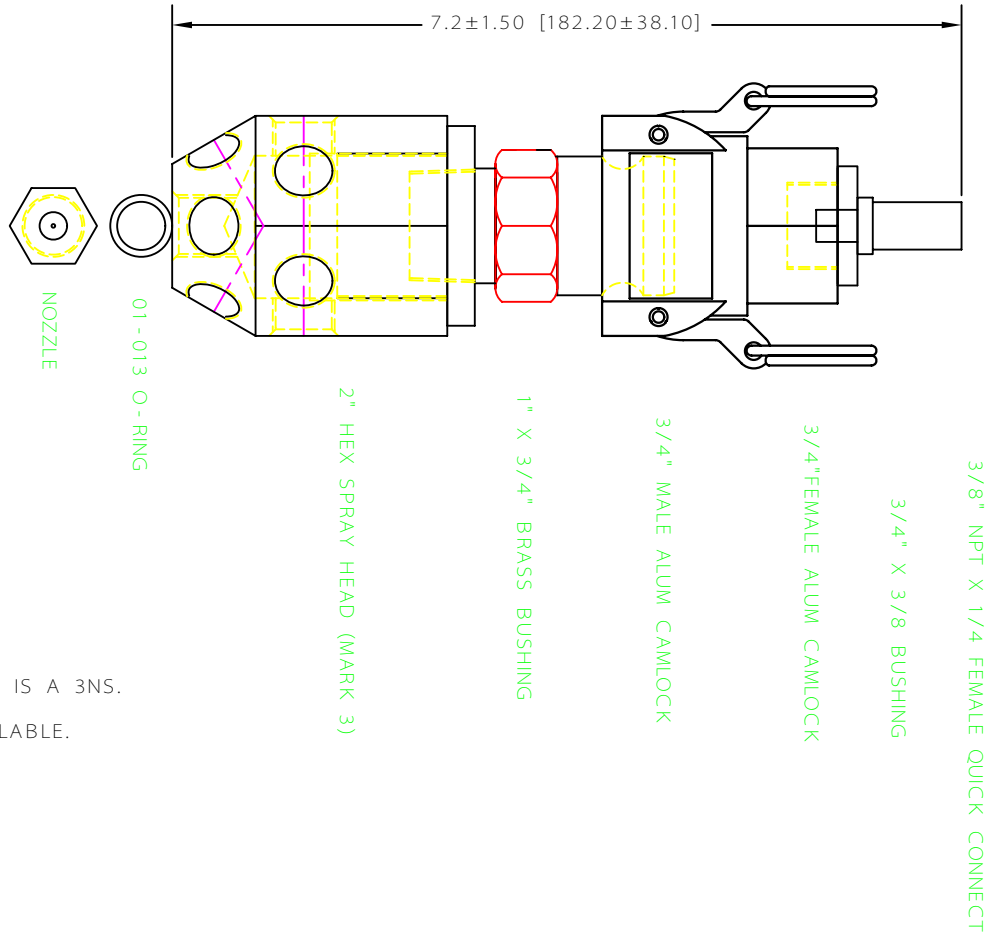
P.O. BOX 1760
 5929 BENTON RD.
 PADUCAH, KY 42002-1760
 PHN: 800-553-4567
 FAX: 800-230-9462
 HTTP://WWW.AEEC.COM

DRAWN:	NAME	DATE
CHECKED:	CHECK	DATE
APPROVED:	APPROVE	DATE

N1	
N2	
N3	

TOLERANCES	SCALE
JOB NO.	DRAWING NO.
	NUMBER
SHEET	OF
	REV.

HEAD	# OF NOZZLES
MK3	13



STANDARD NOZZLE IS A 3NS.
OTHER SIZES AVAILABLE.

PART#'S
FS - MK3

THIS DRAWING IS THE SOLE PROPERTY OF ARCH ENVIRONMENTAL EQUIPMENT INC. AND MUST BE USED ONLY IN CONNECTION TO WORK ASSOCIATED WITH ARCH ENVIRONMENTAL EQUIPMENT INC. ALL RIGHTS OF DESIGN OR INVENTION ARE RESERVED.



P.O. BOX 1760
5929 BENTON RD.
PADUCAH, KY 42002-1760
PHN: 800-553-4567
FAX: 800-230-9462
HTTP://WWW.AEEC.COM

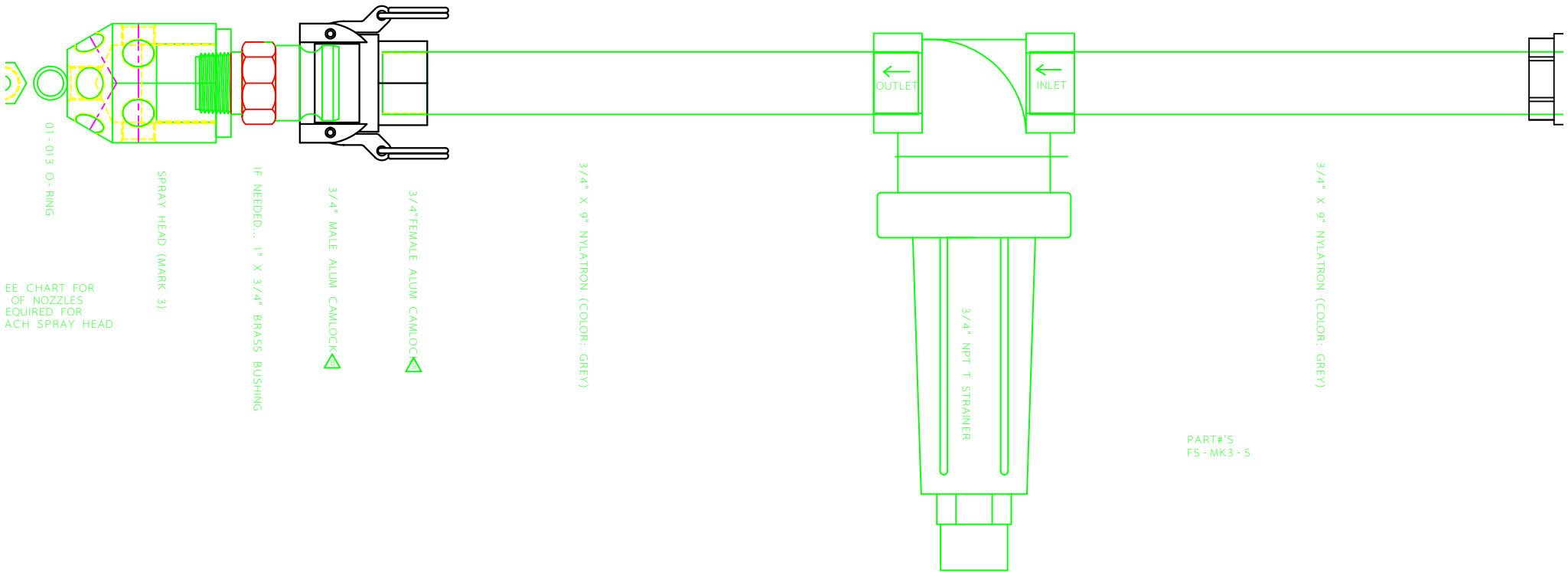
DRAWN:	S.K.HOWELL	DATE:	
CHECKED:	S.HOWARD	DATE:	
APPROVED:	N.F.A.	DATE:	

FOGGER SYSTEM
MARK 3 SPRAY HEAD
DIAGRAM

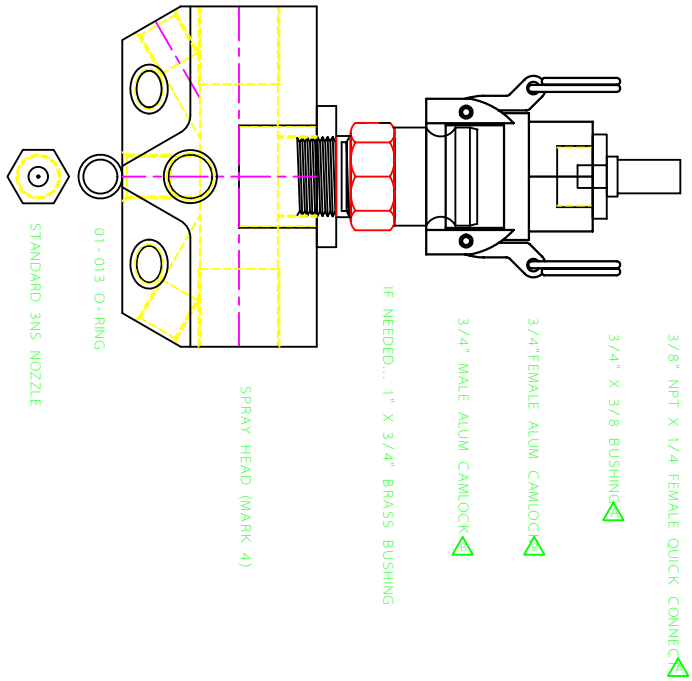
TOLERANCES:	SCALE:	
PRT. NO.	DRAWING NO.	
SHEET	OF	REV.

HEAD	# OF NOZZLES
MK3	13

A: REVISED CONNECTER AT BALL VALVE
 B: ADDED CAMLOCK



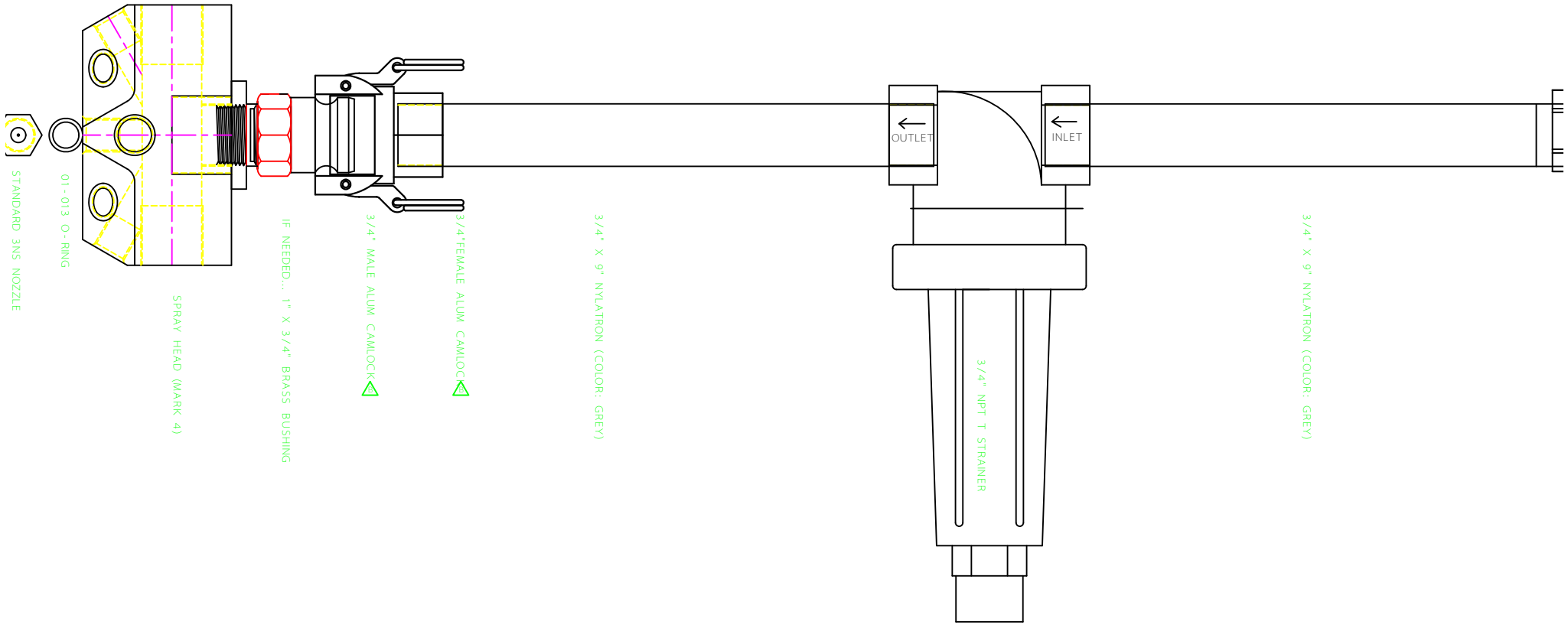
SEE CHART FOR
 OF NOZZLES
 EQUIRED FOR
 EACH SPRAY HEAD



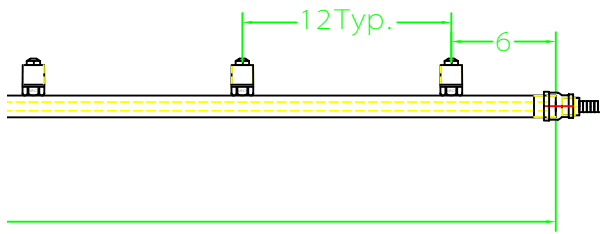
PART#'S
FS - MK4 - S

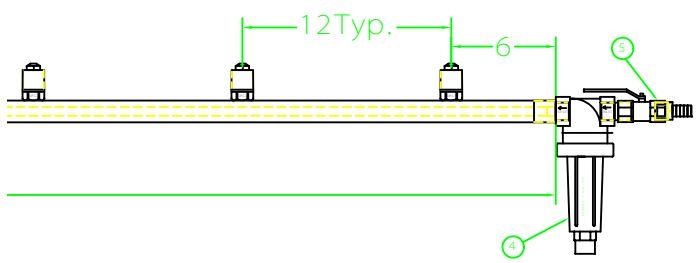
A: REVISED CONNECTER AT BALL VALVE
B: ADDED CAMLOCK

HEAD	# OF NOZZLES
MK4	9

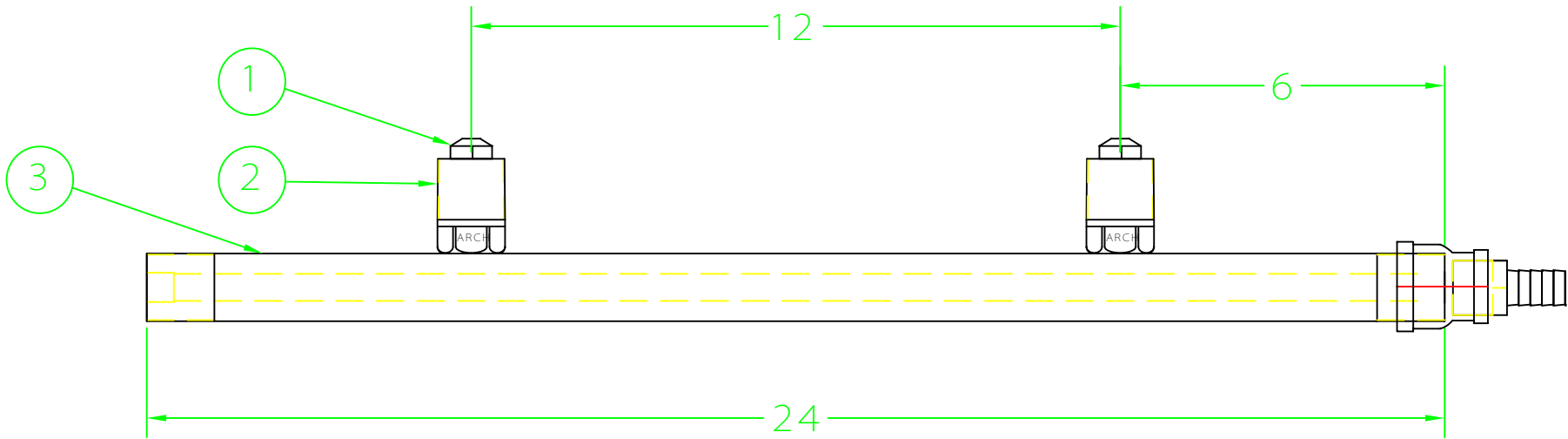


A: REVISED CONNECTER AT BALL VALVE
 B: ADDED CAMLOCK





ITEM	QTY.	DESCRIPTION	PART NUMBER
1	2	#3 FOGGER NOZZLE	MFAN00300W00
2	2	FOGGER BAR NOZZLE INSERT	FS - MK6 - IB
3	1	NYLATRON SPRAY BAR	MFAB00202L38



FILENAME= fs - mk6 - 2

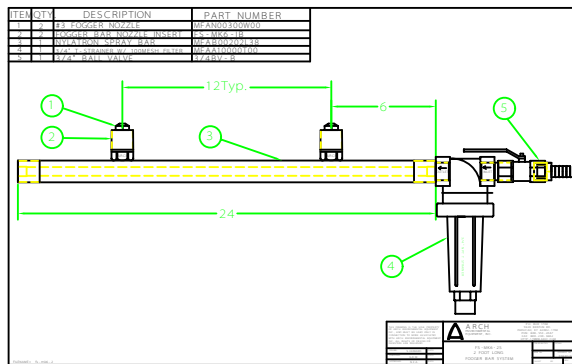
THIS DRAWING IS THE SOLE PROPERTY OF ARCH ENVIRONMENTAL EQUIPMENT INC. AND MUST BE USED ONLY IN CONNECTION TO WORK ASSOCIATED WITH ARCH ENVIRONMENTAL EQUIPMENT INC. ALL RIGHTS OF DESIGN OR INVENTION ARE RESERVED.

DRAWN:	S.HOWELL	DATE
CHECKED:	S.HOWARD	DATE
APPROVED:	N.F.A.	DATE

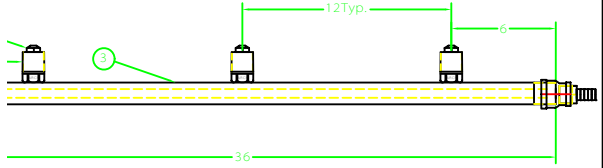


P.O. BOX 1760
5929 BENTON RD.
PADUCAH, KY 42002-1760
PHN: 800-553-4567
FAX: 800-230-9462
HTTP://WWW.AECC.COM

TOLERANCES		SCALE
FS - MK6 - 2 2 FOOT LONG FOGGER BAR		
JOB NO.	DRAWING NO.	
	030402AD	
SHEET	OF	REV.

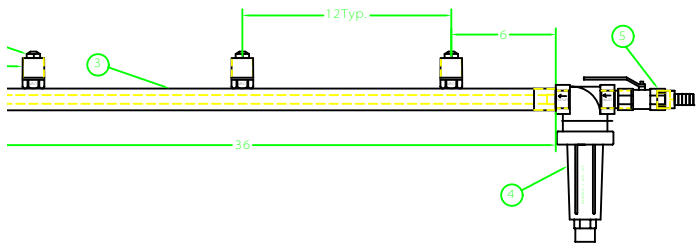


SECTION	PART NUMBER
2011	02-2000-1020000
2012	02-2000-1020000
2013	02-2000-1020000

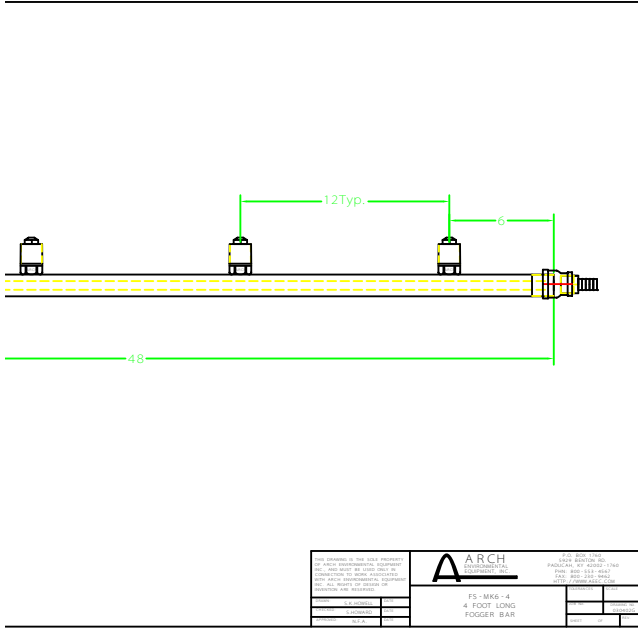


	
PROJECT: 15-1000-1 2 FLOOR UNDER PROJECT 010	DATE: 01/15/15 DRAWN BY: [blank] CHECKED BY: [blank]

ITEM	PART NUMBER
1	FR-1000-10000
2	FR-1000-10000
3	FR-1000-10000
4	FR-1000-10000
5	FR-1000-10000



<p>ARCH <small>ARCHITECTURAL RESEARCH CORPORATION 1000 BROADWAY, NEW YORK, NY 10018 TEL: (212) 512-2000 FAX: (212) 512-2001 WWW.ARCH-NY.COM</small></p>		<p>FR-1000-10000 3 FOOT LONG FUZZER SYSTEM</p>



ALL DIMENSIONS IN THIS DRAWING UNLESS OTHERWISE SPECIFIED ARE IN INCHES AND DECIMALS THEREOF. ALL DIMENSIONS ARE TO CENTER UNLESS OTHERWISE SPECIFIED.

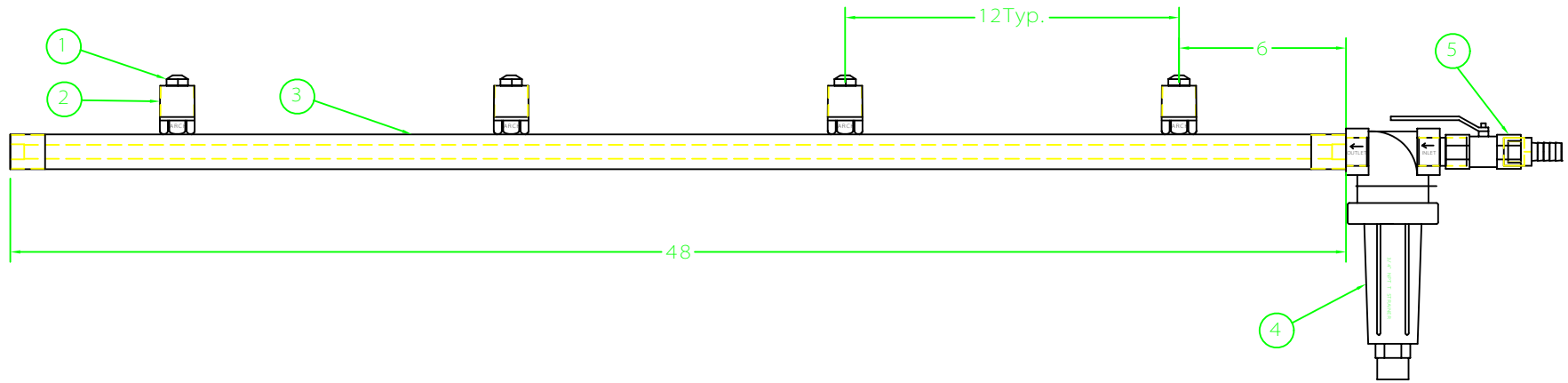
ARCH
 CONSULTING, INC.

FS-MING-4
 4 FOOT LONG
 FINGER BAR

1025 E. 10th St.
 Anchorage, AK 99501-1148
 Phone: 907-561-4422
 Fax: 907-561-4422
 Web: www.arch-consulting.com

DATE: 08/20/2014
 DRAWN BY: J. H. HARRIS
 CHECKED BY: J. H. HARRIS

ITEM	QTY.	DESCRIPTION	PART NUMBER
1	4	#3 FOGGER NOZZLE	MFAN00300W00
2	4	FOGGER BAR NOZZLE INSERT	FS-MK6-IB
3	1	NYLATRON SPRAY BAR	MFAB00404138
4	1	3/4" T-STRAINER W/ 100MESH FILTER	MPAA10000T00
5	1	3/4" BALL VALVE	3/4BV-B



FILENAME= FS-MK6-4S

THIS DRAWING IS THE SOLE PROPERTY OF ARCH ENVIRONMENTAL EQUIPMENT INC. AND MUST BE USED ONLY IN CONNECTION TO WORK ASSOCIATED WITH ARCH ENVIRONMENTAL EQUIPMENT INC. ALL RIGHTS OF DESIGN OR INVENTION ARE RESERVED.

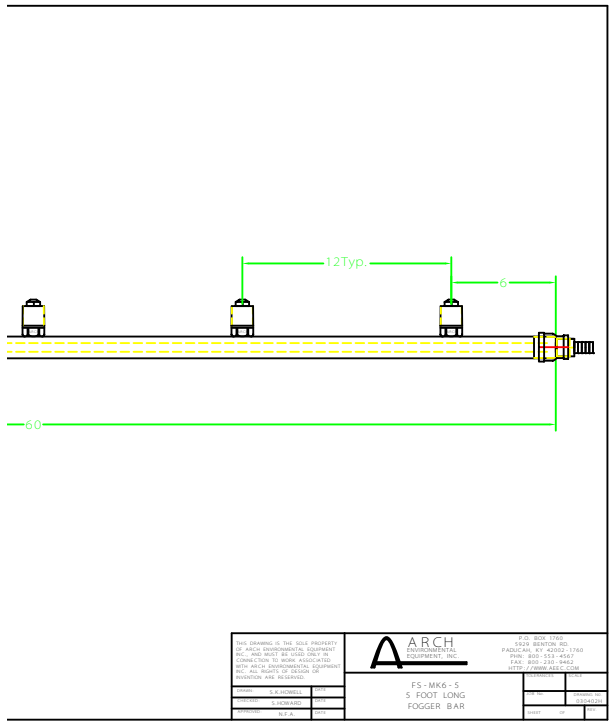
DRAWN:	S.K.HOWELL	DATE:	
CHECKED:	S.HOWARD	DATE:	
APPROVED:	N.F.A.	DATE:	



FS-MK6-4S
4 FOOT LONG
FOGGER SYSTEM

P.O. BOX 1760
5929 BENTON RD.
PADUCAH, KY 42002-1760
PHN: 800-553-4567
FAX: 800-230-9462
HTTP://WWW.AEEC.COM

TOLERANCES	SCALE
JOB NO.	DRAWING NO.
SHEET	OF
REV.	



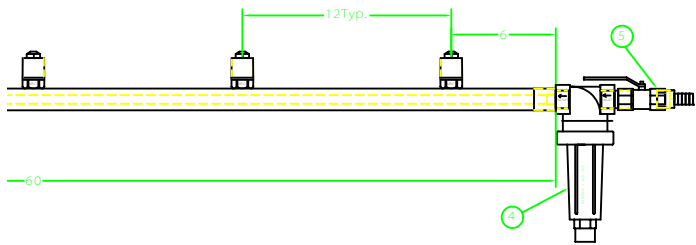
THIS DRAWING IS THE SOLE PROPERTY OF ARCH ENVIRONMENTAL EQUIPMENT, INC. AND WILL BE LOANED TO YOU BY ARCH ENVIRONMENTAL EQUIPMENT, INC. NO PARTS OF THIS DRAWING ARE TO BE REPRODUCED WITHOUT THE WRITTEN PERMISSION OF ARCH ENVIRONMENTAL EQUIPMENT, INC.



P.O. BOX 1240,
1125 BELLEVUE RD,
PADUCAH, KY 40302-1740
TEL: 502-533-5543
FAX: 502-533-5542
HTTP://WWW.AEE.COM

FS-MK6-5
5 FOOT LONG
FOGGER BAR

DATE	REV



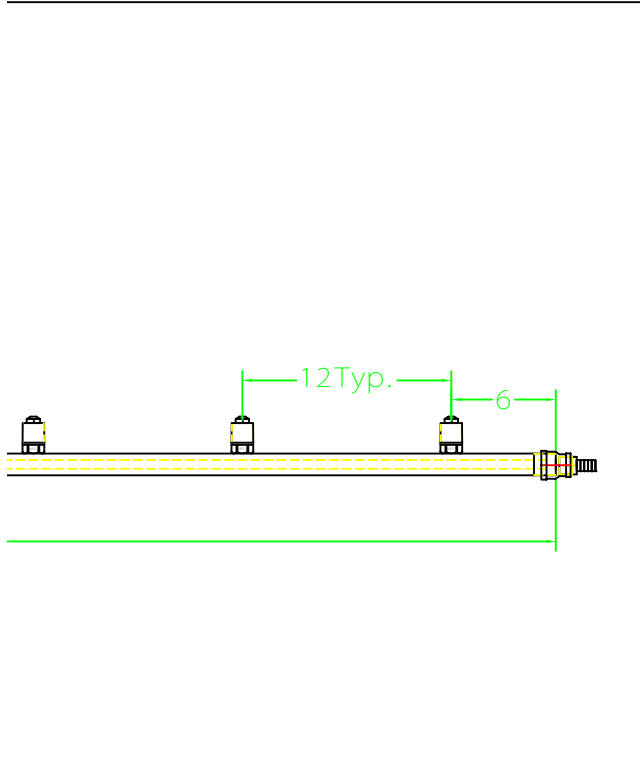
THIS DRAWING IS THE SOLE PROPERTY
 OF ARCH ENVIRONMENTAL EQUIPMENT
 INC. AND MUST BE USED ONLY IN
 CONNECTION TO WORK ASSOCIATED
 WITH ARCH ENVIRONMENTAL EQUIPMENT
 INC. ALL RIGHTS OF DESIGN OR



P.O. BOX 1760
 529 BENTON RD.
 MADUCANS, NY 42002-1760
 PH: 800-555-4567
 FAX: 800-230-1942
 HTTP://WWW.AEEC.COM

THIS DRAWING IS THE SOLE PROPERTY

ARCH



THIS DRAWING IS THE SOLE PROPERTY OF ARCH ENVIRONMENTAL EQUIPMENT, INC. AND MUST BE USED ONLY IN CONNECTION TO WORK ASSOCIATED WITH ARCH ENVIRONMENTAL EQUIPMENT, INC. ALL RIGHTS OF DESIGN OR INVENTION ARE RESERVED.

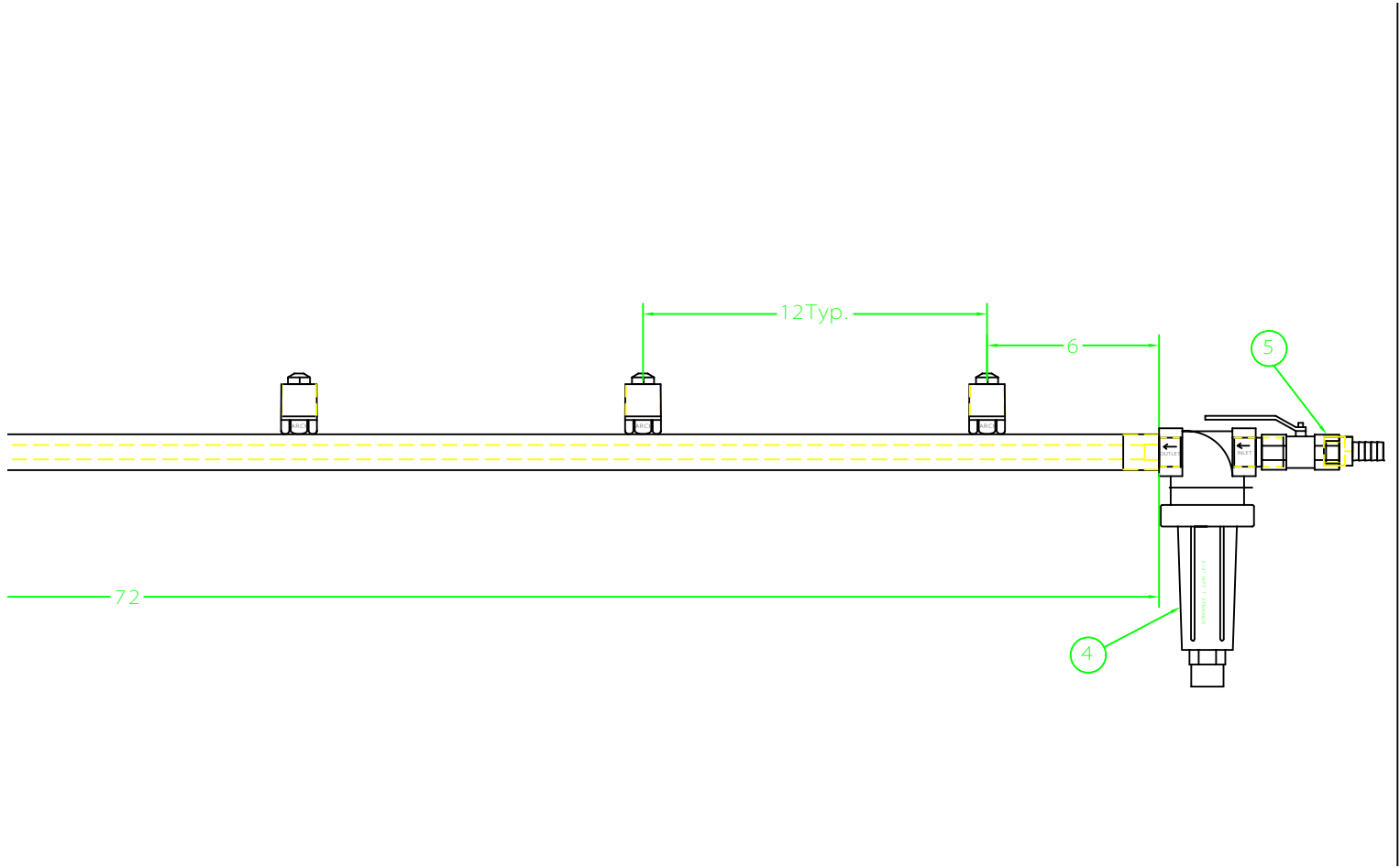


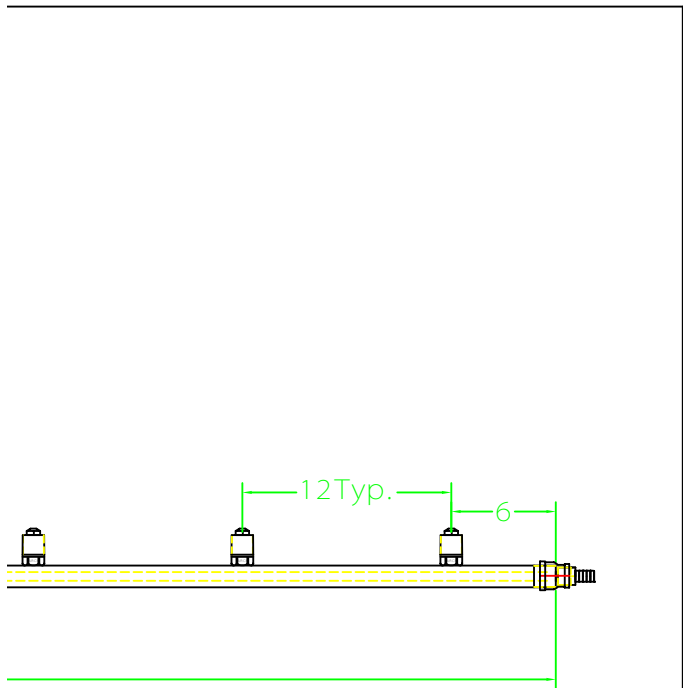
P.O. BOX 1740
 5929 BENTON RD.
 PAOLI, IA 52052-1740
 PHN: 800-553-4567
 FAX: 800-320-0463
 HTTP://WWW.AEIE.COM

FS-MK6-6
 6 FOOT LONG
 FOGGER BAR

DRAWN	S.K. HOWELL	0/1
DESIGNED	S. HOWARD	0/1
APPROVED	N.P.A.	0/1

DATE	0/1
BY	S. HOWARD
REV	0/1





THIS DRAWING IS THE SOLE PROPERTY
 OF ARCH ENVIRONMENTAL EQUIPMENT
 INC. AND MUST BE USED ONLY IN
 CONNECTION TO WORK ASSOCIATED
 WITH ARCH ENVIRONMENTAL EQUIPMENT
 INC. ALL RIGHTS OF DESIGN OR
 INVENTION ARE RESERVED.



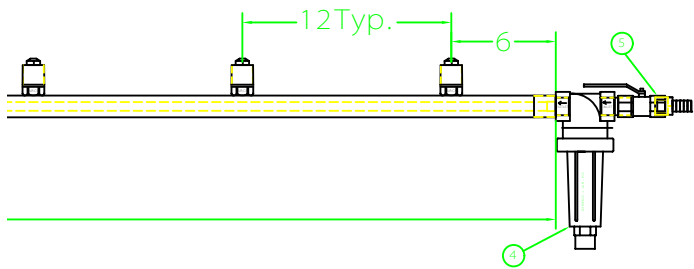
P.O. BOX 1760
 5920 BENTON RD.
 PADUCAH, KY 42002-1760
 PHN: 800-553-4567
 FAX: 800-230-9462
 HTTP://WWW.AEEC.COM

FS-MK6-7
 7 FOOT LONG

TOLERANCES	SCALE

DRAWN: S.K.HOWELL	DATE:
-------------------	-------

DATE:	DESIGNED BY:
-------	--------------



THIS DRAWING IS THE SOLE PROPERTY
 OF ARCH ENVIRONMENTAL EQUIPMENT
 INC. AND MUST BE USED ONLY IN
 CONNECTION TO WORK ASSOCIATED
 WITH ARCH ENVIRONMENTAL EQUIPMENT
 INC. ALL RIGHTS OF DESIGN OR



P.O. BOX 1760
 5929 BENTON RD.
 PADUCAH, KY 42002-1760
 PHN: 800-553-4567
 FAX: 800-230-9462
 HTTP://WWW.AEEC.COM

