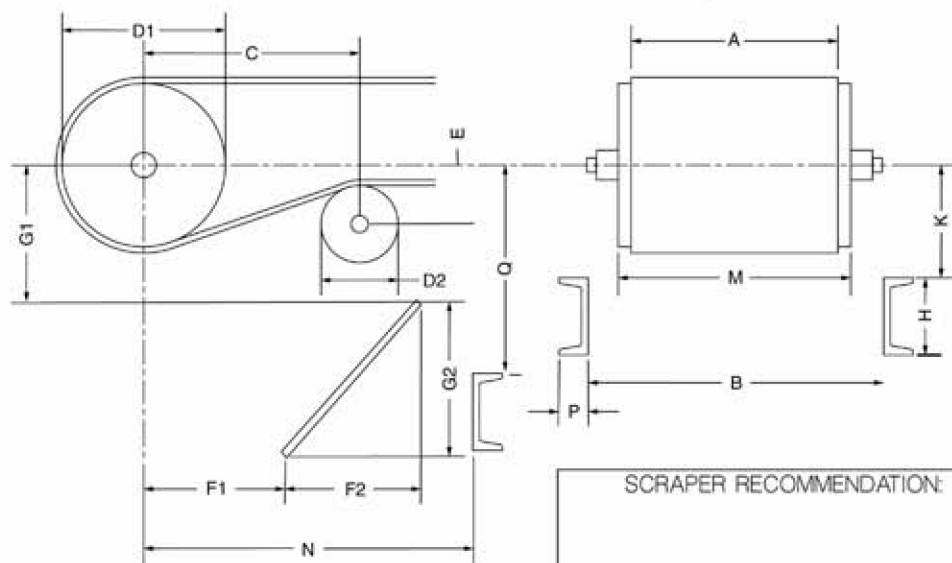


# Belt Cleaner Worksheet

Company: \_\_\_\_\_ Date: \_\_\_\_\_  
 Address: \_\_\_\_\_  
 City: \_\_\_\_\_ State: \_\_\_\_\_ Zip: \_\_\_\_\_  
 Phone: \_\_\_\_\_ Fax: \_\_\_\_\_  
 Contact: \_\_\_\_\_ Project: \_\_\_\_\_

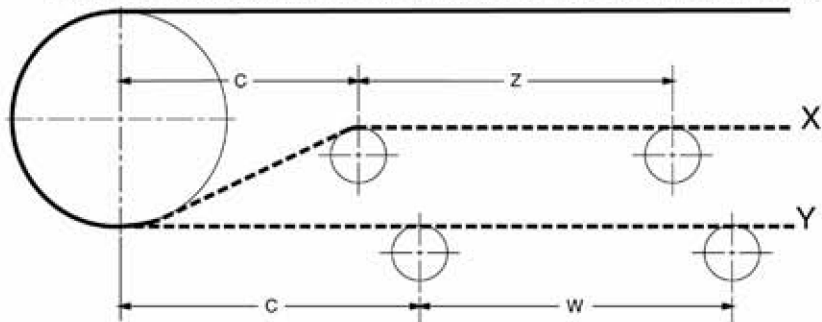


SCRAPER RECOMMENDATION:  
 \_\_\_\_\_  
 \_\_\_\_\_

DIMENSIONS	
A	
B	
C	
D1	
D2	
E	
F1	
F2	
G1	
G2	
H	
K	
M	
N	
P	
Q	
Arch Job No.	

Conveyor ref/number: \_\_\_\_\_  
 Material: \_\_\_\_\_ Type of Splice: \_\_\_\_\_  
 Characteristics: \_\_\_\_\_ Reversible Conveyor: YES  NO   
 Belt Speed: \_\_\_\_\_ Crowded Pulley/Drum: YES  NO   
 Belt Condition: \_\_\_\_\_ Moisture Content of Material: \_\_\_\_\_  
 Any Obstructions: \_\_\_\_\_

FILL IN OVER THE DASHED LINES TO SHOW THE BELT LINE. SKETCH ANY OBSTRUCTIONS AND PROPOSED MOUNTING POSITIONS.



DIMENSIONS	
X Belt Line	
C	
Z	
Y Belt Line	
C	
W	

To be completed by Arch personnel  
 Checked with head office YES  NO   
 Signed: \_\_\_\_\_  
 Date: \_\_\_\_\_

Originator 3  
 Sales / Service Engineer 2  
 Head Office 1