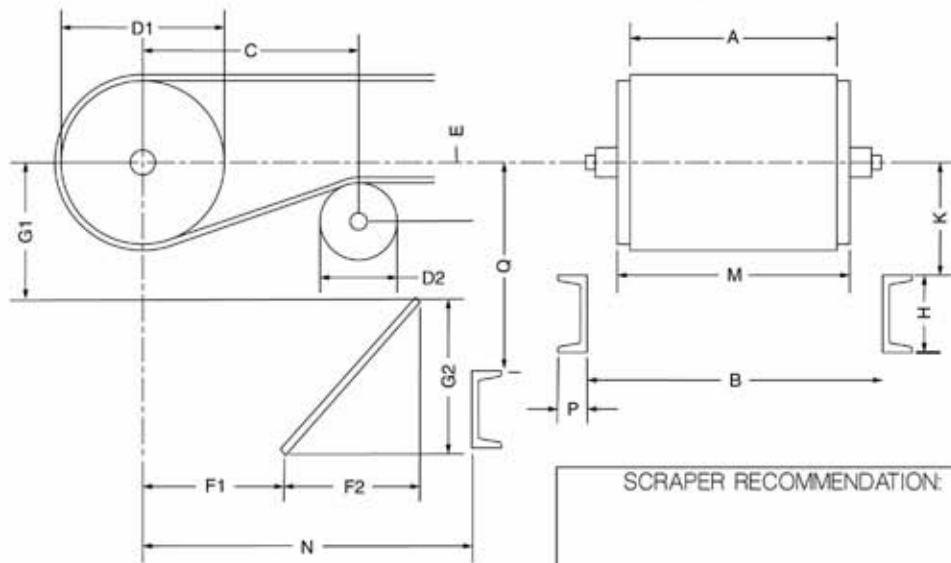


Belt Cleaner Worksheet

Company: _____ Date: _____
 Address: _____
 City: _____ State: _____ Zip: _____
 Phone: _____ Fax: _____
 Contact: _____ Project: _____

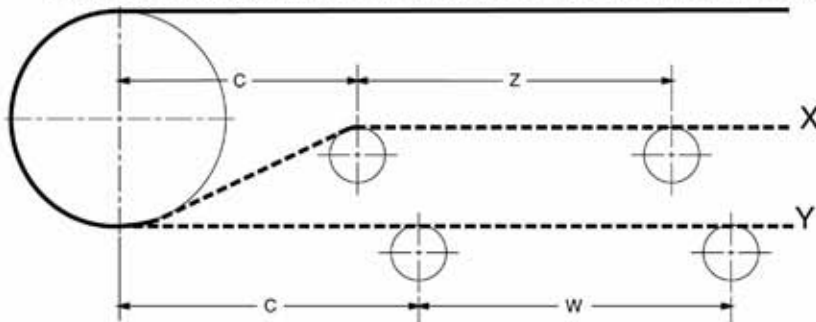


DIMENSIONS	
A	
B	
C	
D1	
D2	
E	
F1	
F2	
G1	
G2	
H	
K	
M	
N	
P	
Q	
Arch Job No.	

SCRAPER RECOMMENDATION:

Conveyor ref/number: _____
 Material: _____ Type of Splice: _____
 Characteristics: _____ Reversible Conveyor: YES NO
 Belt Speed: _____ Crowded Pulley/Drum: YES NO
 Belt Condition: _____ Moisture Content of Material: _____
 Any Obstructions: _____

FILL IN OVER THE DASHED LINES TO SHOW THE BELT LINE. SKETCH ANY OBSTRUCTIONS AND PROPOSED MOUNTING POSITIONS.



DIMENSIONS	
X Belt Line	
C	
Z	
Y Belt Line	
C	
W	

To be completed by Arch personnel	
Checked with head office	YES <input type="checkbox"/> NO <input type="checkbox"/>
Signed: _____	
Date: _____	

Originator 3
 Sales / Service Engineer 2
 Head Office 1