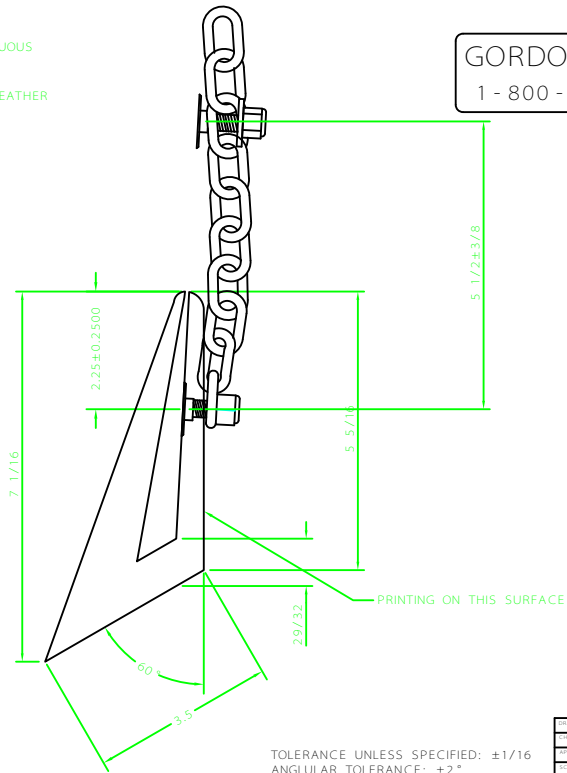


MATERIAL: BLACK EPDM RUBBER
 HARDNESS: 65-75 SHORE A
 TEMP. RANGE: -40C to +107C (225F) CONTINUOUS
 +121C(+250F) SHORT TERM
 EXCELLENT RESISTANCE TO OZONE, UV, AND WEATHER
 AVERAGE COEFFICIENT OF FRICTION
 FOR 'ATLASTASEAL' TO CONVEYOR BELT: .38
 (16 BELT SAMPLES USED)
 APPROXIMATE WEIGHT: 5 pounds per foot
 MAXIMUM STRUCTURE THICKNESS = 1/2"

GORDON "ATLASTASEAL"
 1-800-553-4567 PAT. #4,989,727



LENGTH: AS REQUIRED
 RETAINING CHAIN SPACING:
 6 INCHES OFF OF BOTH ENDS
 AND SPACED EVERY 2 FEET
 BETWEEN.
 RETAINING CHAIN COMPONENTS:
 2) 3/8-16 X 1 1/4 ELEVATOR BOLT
 (PLAIN FINISH)
 2) 3/8 FLAT WASHER (ZINC)
 8) 1/4" PROOF COIL CHAIN (ZINC)

E: CHAINS NOW SPACED 2FT.
 D: NOTE REGARDING STRUCTURE THICKNESS
 C: ADDED LENGTH NOTE
 B: ADDED MORE DIMS
 A: ADDED BOLT DIM LOCATION

ARCH ENVIRONMENTAL EQUIP., INC.	
ATLASTASEAL	
TECHNICAL INFORMATION	
PN: GSR-101	

DRAWN	DATE
CHECKED	DATE
APPROVED	DATE
SCALE	REV. NO.

TOLERANCE UNLESS SPECIFIED: ±1/16
 ANGULAR TOLERANCE: ±2°