

*Who is Arch
Environmental?*

*manufacturer and worldwide distributor of preferred bulk conveyor components since 1975

Mechanical Division

Belt Cleaners • Belt Alignment • Sealing Systems • Dust Control Systems • Impact/Slider Systems

Electrical Division

Belt Scales • Metal Detectors • Pull Cord Switches • Belt Protection Devices • Conveyor Control Systems

*facilities include a fabrication shop, a CNC machine shop, and state-of-the-art urethane production

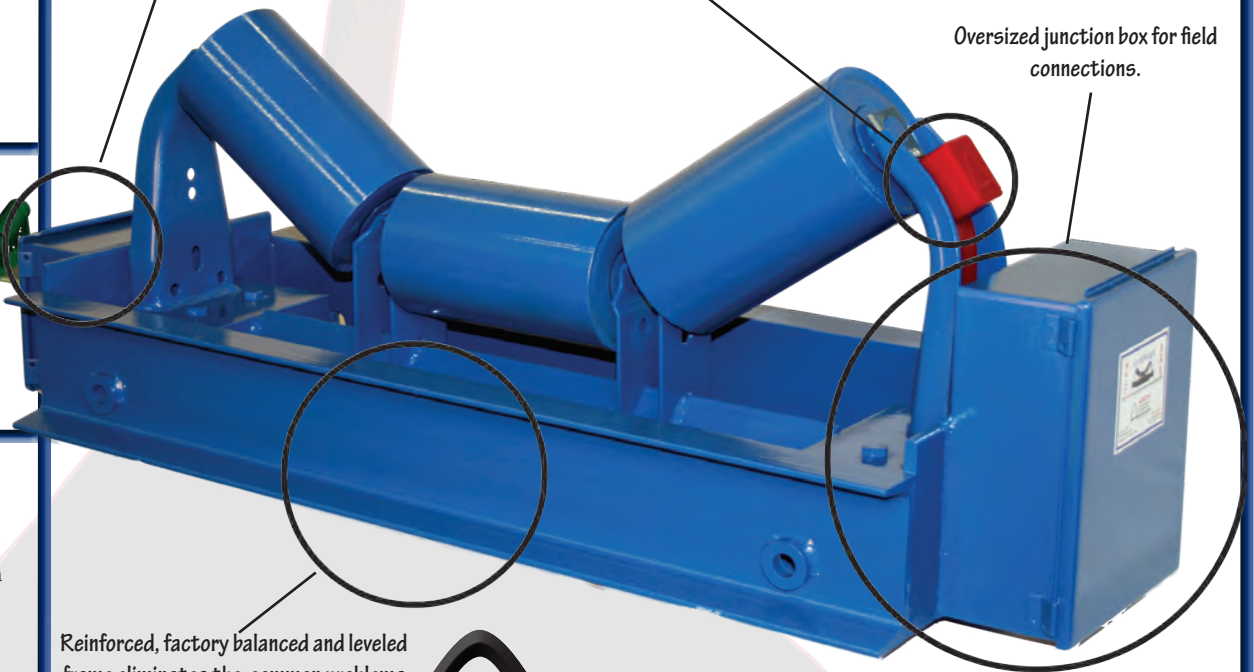
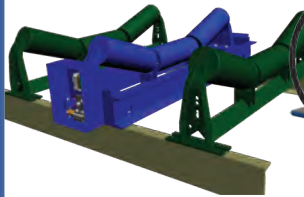
ARCHWEIGH SC[®] BELT SCALE

- | | |
|---------------------|---|
| EZ Installation | ✓ |
| Low Maintenance | ✓ |
| Corrosion Resistant | ✓ |
| Fast Delivery | ✓ |
| Worksheet Req'd | ✓ |

Patented ArchWeigh[®] dual load cells assure accuracies of +/- 1-2% by automatically zeroing out the effects of the idlers movement.

Speed unit precisely measures belt speed. Internal housing means once the scale is installed, so is the speed unit.

Oversized junction box for field connections.



Reinforced, factory balanced and leveled frame eliminates the common problems associated with insufficient structure.

ArchWeigh SC[®] Belt Scales provide long-term repeatability without recalibration.

Accurately measures *only* material on the belt and eliminates the force of the moving belt.

A *complete scale carriage*, not a 'do-it-yourself' kit.

Unique dual load cell design allows for a positive/negative response to account for normal conveyor variance.

Unitized bridge construction and internal speed sensor allow for one time 'Bolt-in-Place' installation.

(Conveying Confidence)

ARCH[®]
**ENVIRONMENTAL
EQUIPMENT, INC.**

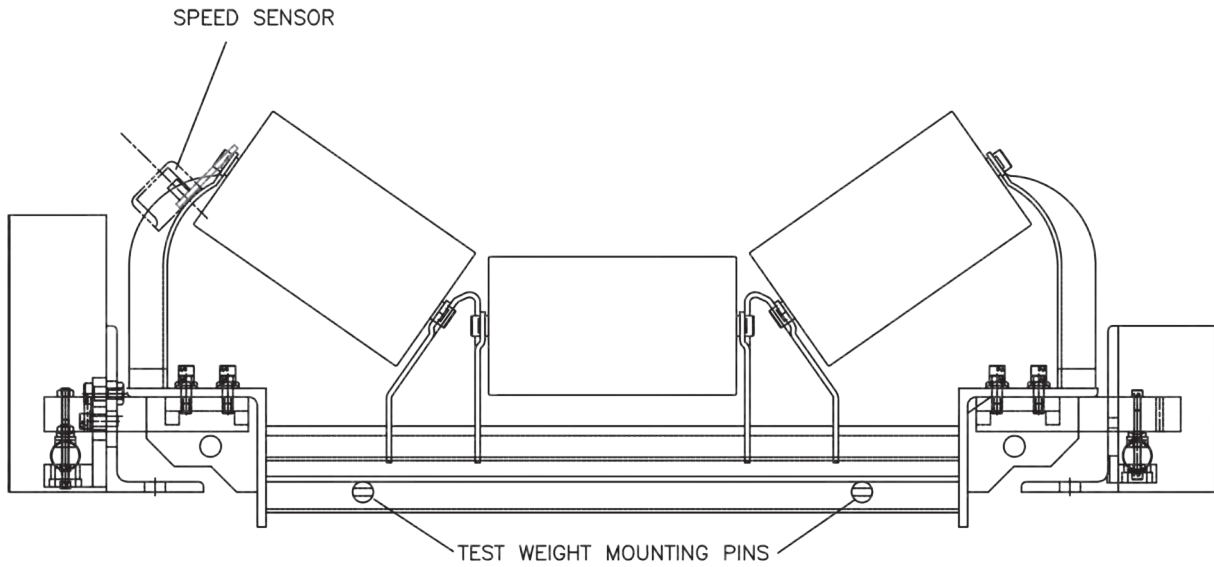
CONVEYOR EFFICIENCY SPECIALISTS

800-553-4567

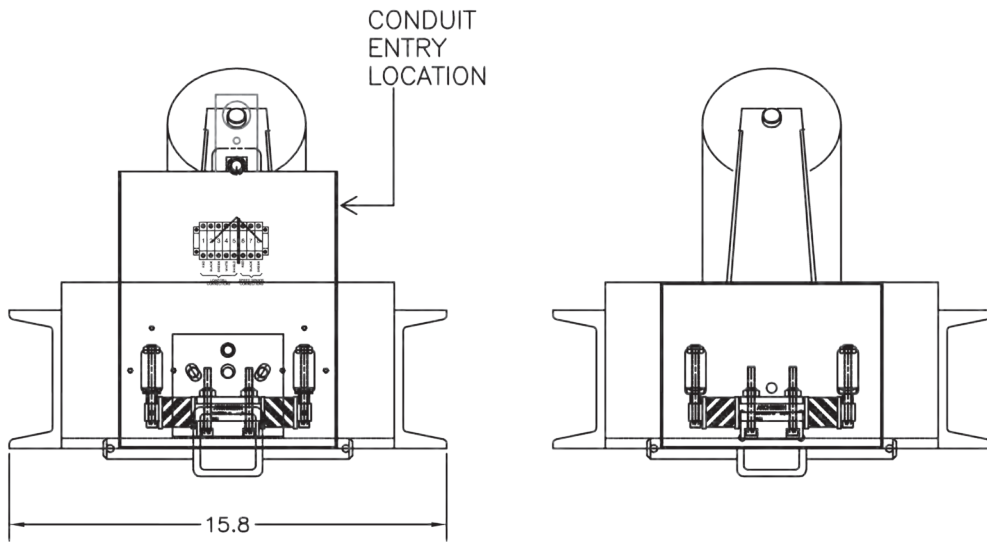
www.archenv.com



ARCHWEIGH SC[®] BELT SCALE



CHANNEL REMOVED FROM SIDE VIEW FOR CLARITY



Scale Idler

Bearings: Sealed Ball
Specifications: CEMA

Load Cells

Quantity: 2 double-ended shear beams
(4 total load cells)
Excitation: 10DVC
Output: 3 mV/V (+/- .25%)
Non-linearity (FSO): <0.03%
Non-repeatability (FSO): <0.03%
Hysteresis (FSO): <0.05%

Speed Sensor

Type: Hall Effect
Mounting: Outboard Wing Roll
Voltage: 24 VDC
Output: 20 mA



Covered under one or more of the following patents:
4,202,437; 4,231,471; 4,436,446; 4,489,823; 4,533,036; 4,779,716; 4,877,125;
4,989,727; 5,149,305; 5,222,588; 5,222,589; 5,219,063; 5,350,053; 5,725,083
other patents pending

Note: If available, prices vary with options.