

*Who is Arch  
Environmental?*

\*manufacturer and worldwide distributor of preferred bulk conveyor components since 1975

**Mechanical Division**

*Belt Cleaners•Belt Alignment•Sealing Systems•Dust Control Systems•Impact/Slider Systems*

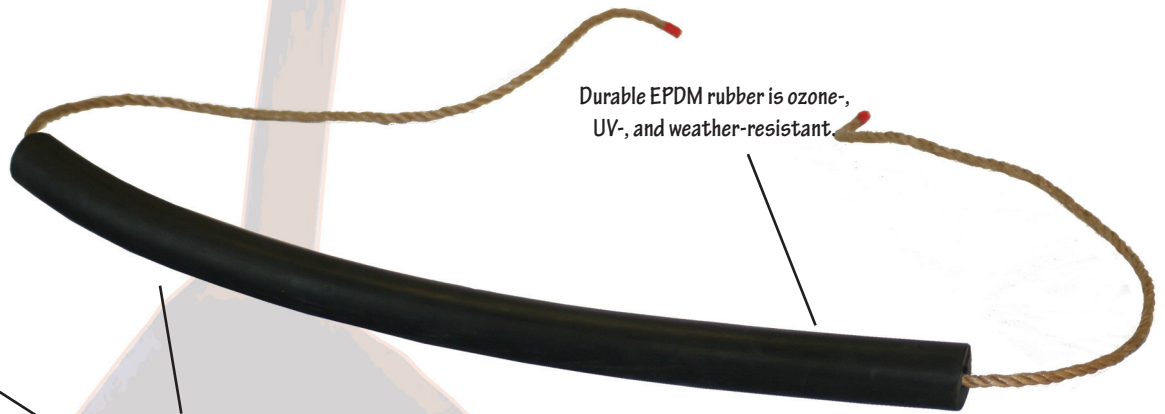
**Electrical Division**

*Belt Scales•Metal Detectors  
•Pull Cord Switches•Belt Protection Devices  
•Conveyor Control Systems*

\*facilities include a fabrication shop, a CNC machine shop, and state-of-the-art urethane production

# SECONDARY DUST SEAL®

<b>EZ Installation</b>	✓
<b>Low Maintenance</b>	✓
<b>Corrosion Resistant</b>	✓
<b>Fast Delivery</b>	✓



Durable EPDM rubber is ozone-, UV-, and weather-resistant.

Rope and rubber, the dynamic duo of secondary seals, create an effective, simple-to-install secondary seal.

Simple and effective way to seal in fugitive dust.

Works in unison with your existing skirt rubber to maximize sealing efficiency.

Improves the effectiveness of your skirting by acting as a secondary barrier to harmful (and costly) spillage.

Easily installed by tying each end of the rope.

Maintenance-free.

Inexpensive way to improve sealing.

Manual adjustments not needed.

Wear-resistant EPDM rubber makes the *Secondary Dust Seal*® virtually indestructible.

*(Conveying Confidence)*



**ARCH**  
**ENVIRONMENTAL**  
**EQUIPMENT, INC.**

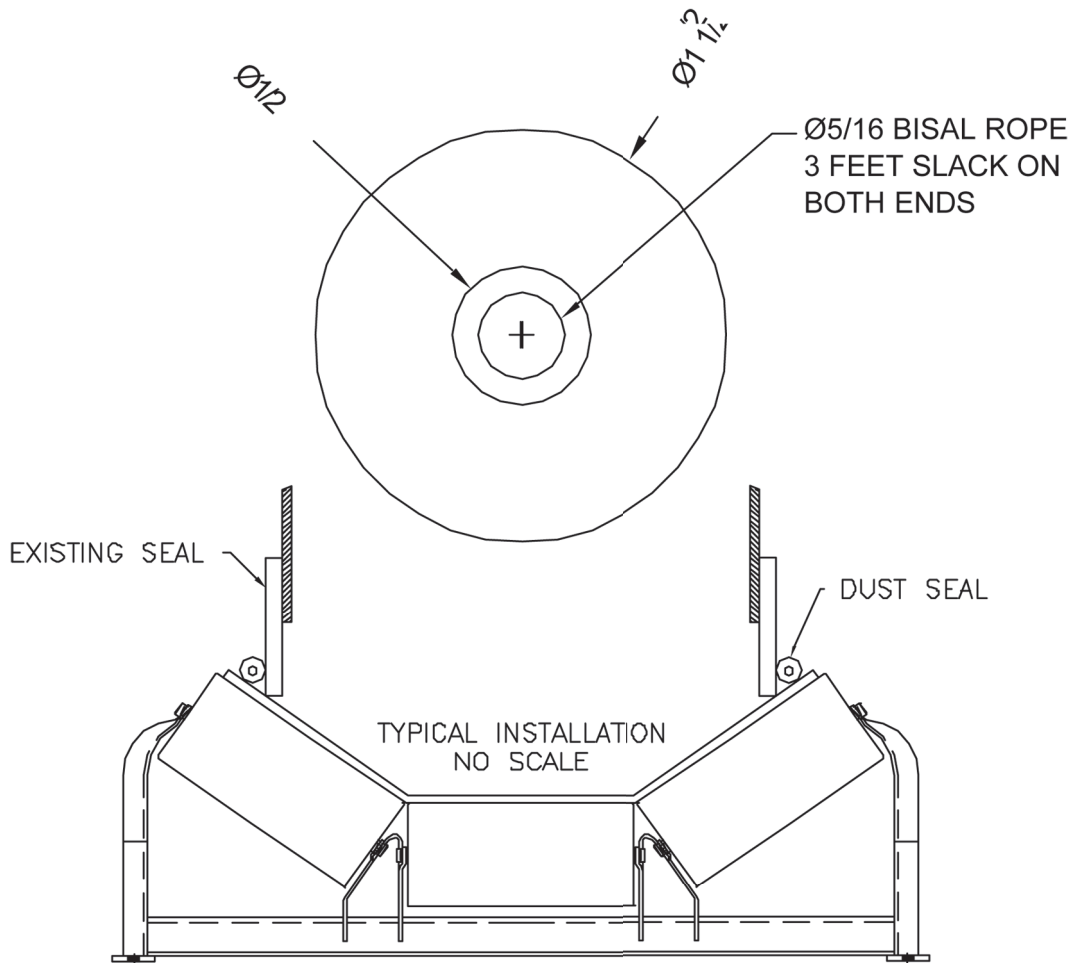
CONVEYOR EFFICIENCY SPECIALISTS

800-553-4567

www.archenv.com



# SECONDARY DUST SEAL<sup>®</sup>



TEMP. RANGE: -40C to +107C (225F) CONTINUOUS  
+121C(+250F) SHORT TERM

MATERIAL: BLACK EPDM RUBBER  
EXCELLENT RESISTANCE TO OZONE, UV, AND WEATHER  
HARDNESS: 55-65 SHORE A

APPROXIMATE WEIGHT: 1.5 pounds per foot

SUPPLIED IN CONTINUOUS LENGTHS UP TO 350 FEET



Covered under one or more of the following patents:  
4,202,437;4,231,471;4,436,446;4,489,823;4,533,036;4,779,716;4,877,125;  
4,989,727;5,149,305;5,222,588;5,222,589;5,219,063;5,350,053;5,725,083;  
other patents pending

Note: If available, prices vary with options.